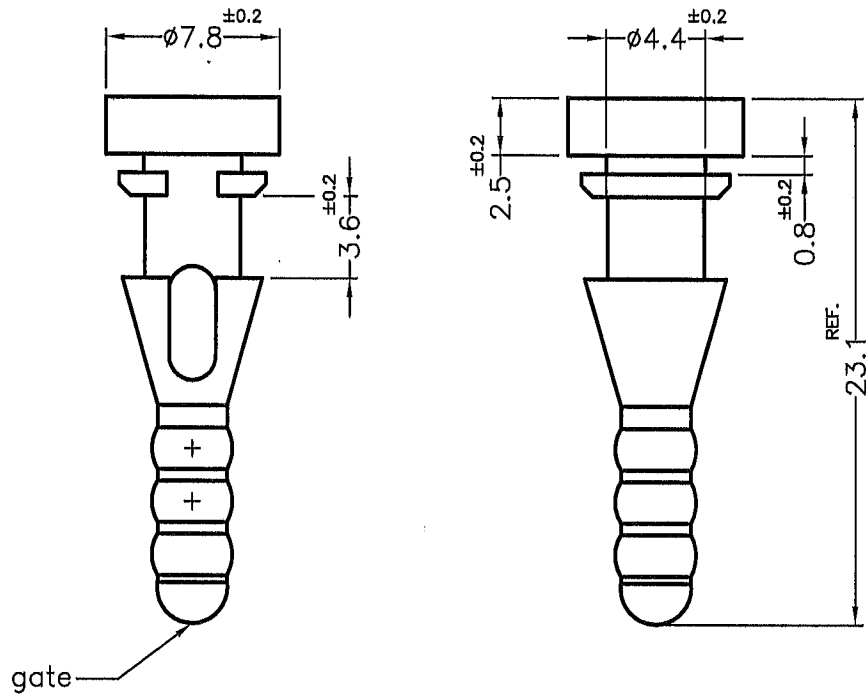


REVISIONS			
REV	DESCRIPTION	DATE	BY



FANS MOUNTING HOLE $\phi 4.4$ mm
 CHASSIS MOUNTING HOLE $\phi 4.5 \sim \phi 4.6$ mm

NOTE: MADE OF EQUIVALENT MATERIAL.
 均可使用同等材質。

				TITLE	FAN SNAP RIVET	SPEC. DWG.	
				MATERIAL	TPE	DATE	2013.10.21
				HARDNESS		DRAWN	Y.C.P
				COLOR	BLACK	CHECK	
PART NUMBER	BUB-158G	DRAWING NUMBER	BUB-158	UNLESS OTHERWISE SPECIFIED TOLERANCE	SEE ABOVE	APPROVED	
SIZE	A4	SCALE	3:1	UNIT	mm	REV	A