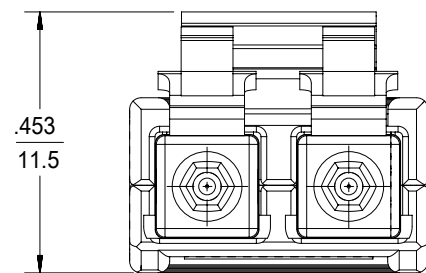
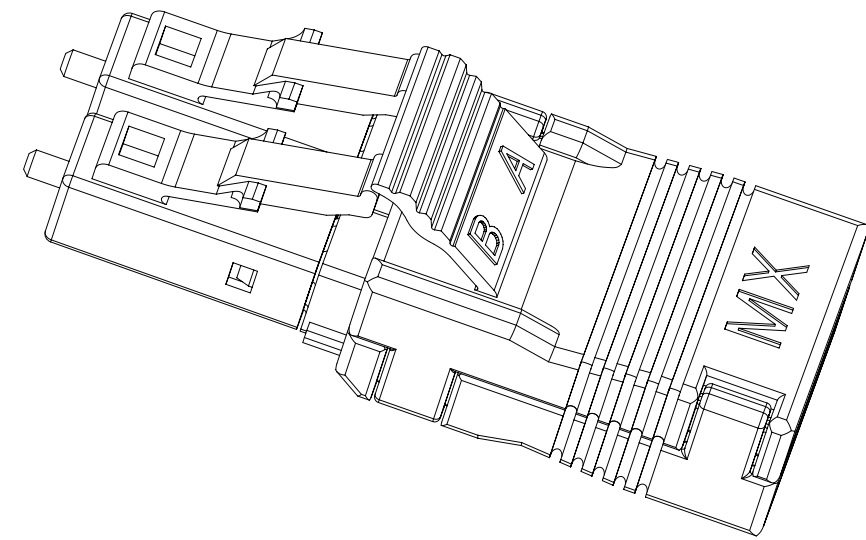
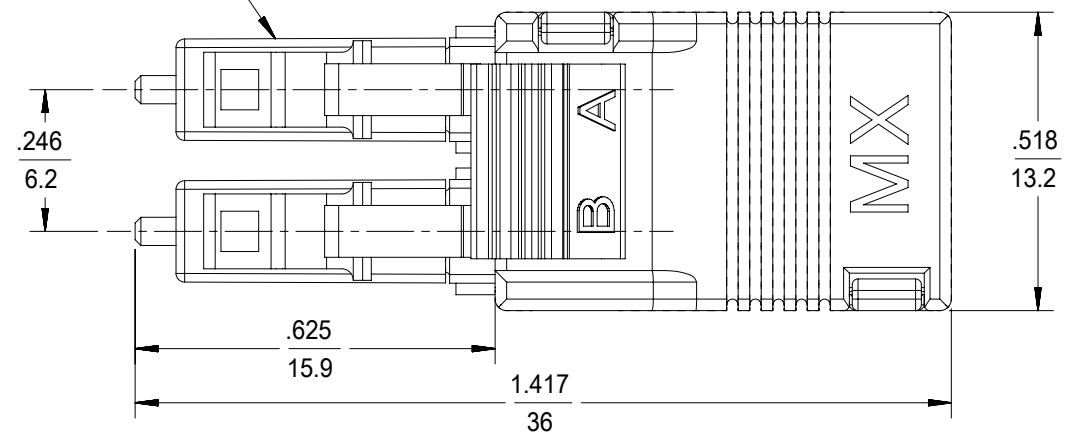
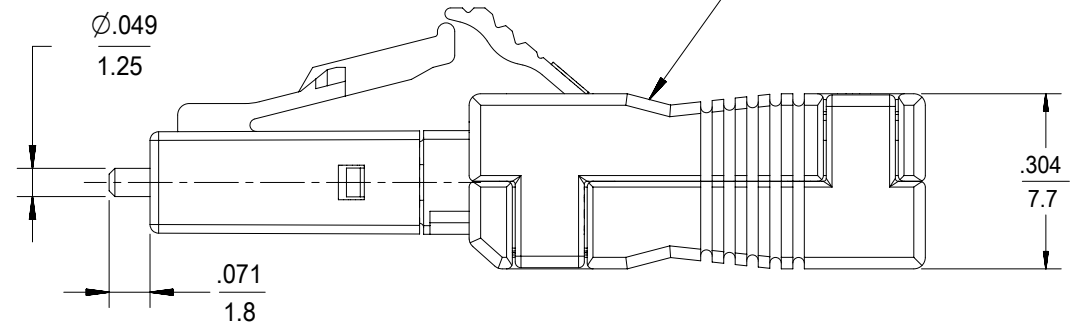


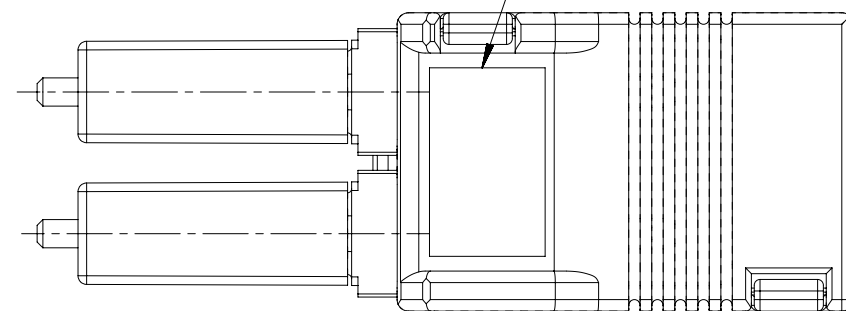
LC CONNECTOR HEAD  
(2x)



LC LOOPBACK BODY,  
BLUE



LABEL  
SEE NOTE 6



NOTES:

1. ALL DIMENSIONS ARE FOR REFERENCE ONLY.
2. DUST CAPS ARE NOT SHOWN, BUT INCLUDED.
3. FIBER TYPE - SINGLEMODE.
4. MAXIMUM IL/RL PER CONNECTOR (TWO MATED PAIRS):  
 AT 1550nm = 3.0dB/50dB  
 AT 1310nm = 3.0dB/50dB
5. OPERATING TEMPERATURE RANGE: -40° TO +85°C.
6. LABEL IS PRINTED WITH "SM" AND "3dB" AND PLACED ON THE BACK SIDE OF THE CONNECTOR AS SHOWN.

SYMBOLS		THIS DRAWING CONTAINS INFORMATION THAT IS PROPRIETARY TO MOLEX ELECTRONIC TECHNOLOGIES, LLC AND SHOULD NOT BE USED WITHOUT WRITTEN PERMISSION	
DIMENSION UNITS	SCALE	CURRENT REV DESC:	
▽ = 0	mm	1:1	
▽ = 0	GENERAL TOLERANCES (UNLESS SPECIFIED)		
▽ = 0	ANGULAR TOL ± 0.5°		
▽ = 0	4 PLACES	±	
▽ = 0	3 PLACES	±	
▽ = 0	2 PLACES	±	
▽ = 0	1 PLACE	±	
▽ = 0	0 PLACES	±	
■ = 0	DRAFT WHERE APPLICABLE MUST REMAIN WITHIN DIMENSIONS		
▽ = 0	THIRD ANGLE PROJECTION	DRAWING	SERIES
		B-SIZE	106052
		MATERIAL NUMBER	CUSTOMER
		1060520030	GENERAL MARKET
		DOCUMENT NUMBER	DOC TYPE   DOC PART   REVISION
		SD-106052-0030	PSD   001   B1
		SHEET NUMBER	
		1 OF 1	

**molex**

LC LOOPBACK  
SM 9/125UM

PRODUCT CUSTOMER DRAWING