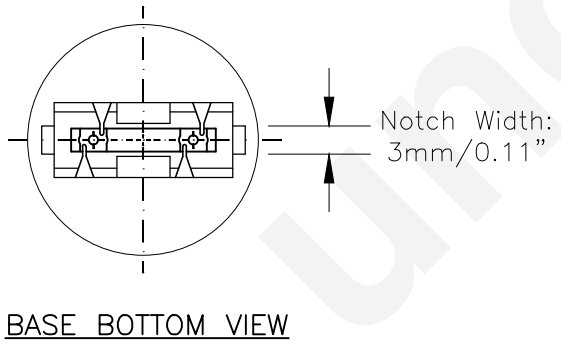
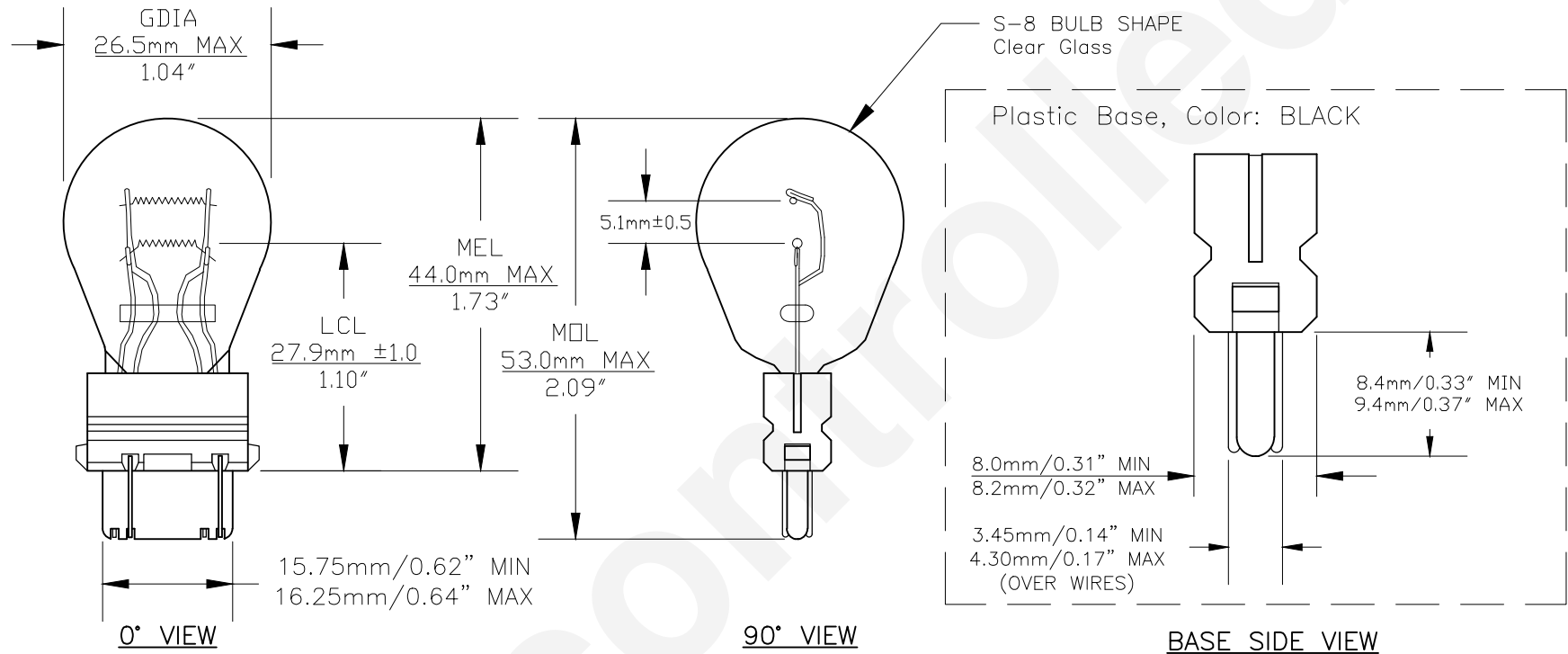




| PART NO. | BASE TYPE | DESIGN VOLTS | DESIGN AMPS | MSCD | FILAMENT TYPE | AVERAGE LIFE HOURS | REVISIONS | | | |
|----------|-----------------------------|----------------|--------------------|-------------------|---------------|--------------------|-----------|------------------------------------|------------|----------|
| | | | | | | | REV # | DESCRIPTION | DATE | APPROVED |
| 4057LL | D.F. Plastic Wedge W2.5X16q | 12.8V 14.0V | 2.23±5% 0.48±8% | 32 ±10% 2 ±12% | C-6 C-6 | 4000 10000 | 1 | ISSUED | 04/01/2013 | D.C. |
| | | | | | | | 2 | ADDED FILAMENT DISTANCE DIMENSIONS | 10/04/2018 | R.M. |



Note: Made according to SAE specifications

| | | | | | |
|---|--------------------|--------------------------------|----------------------|------------------------|----------|
| UNLESS OTHERWISE SPECIFIED: DIMENSIONS ARE IN INCHES TOLERANCES | | CEC INDUSTRIES LTD | | | |
| | | 599 BOND STREET | | LINCOLNSHIRE, IL 60069 | |
| DRAWN D. C. | DATE 04/01/2013 | TITLE LIGHT BULB NO. 4057LL | | | |
| CHECKED | | SIZE A | FSCM NO. | DWG NO. 4057LL | REV 2 |
| DESIGN | | SCALE | PLOT SCALE | SHEET 1 OF 1 | |
| MATERIAL | | FILE 4057LL.pdf | DRAWING NOT TO SCALE | | |