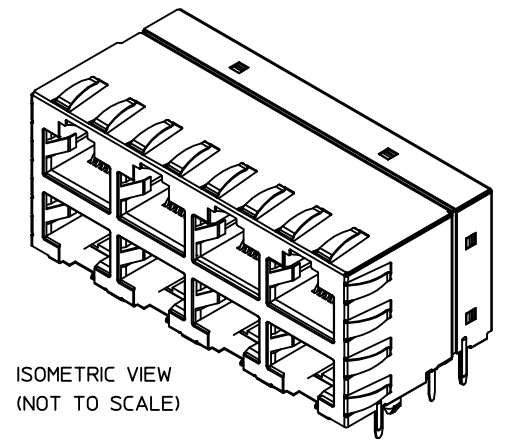
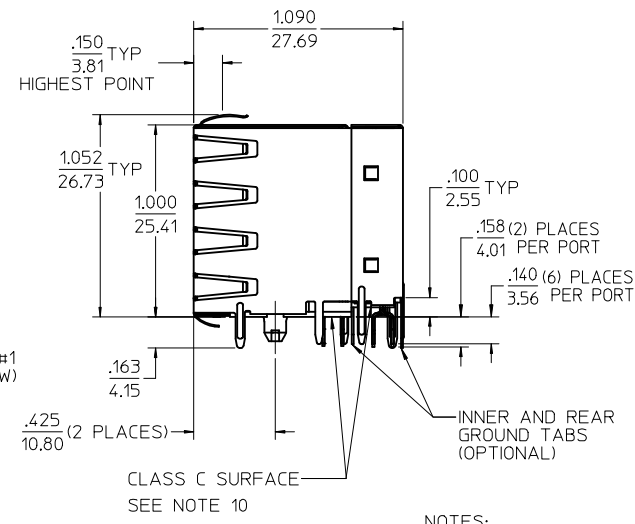
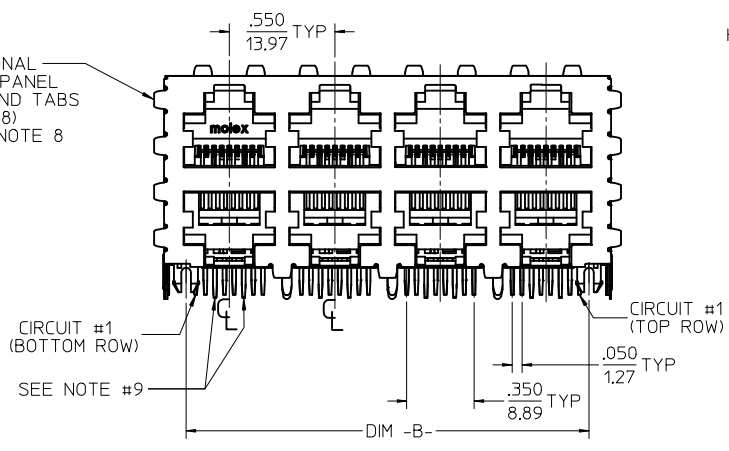
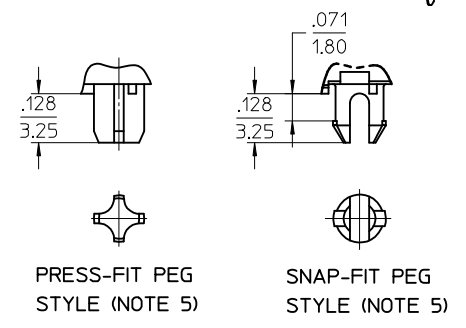


OPTIONAL SIDE PANEL GROUND TABS TYP (8) SEE NOTE 8



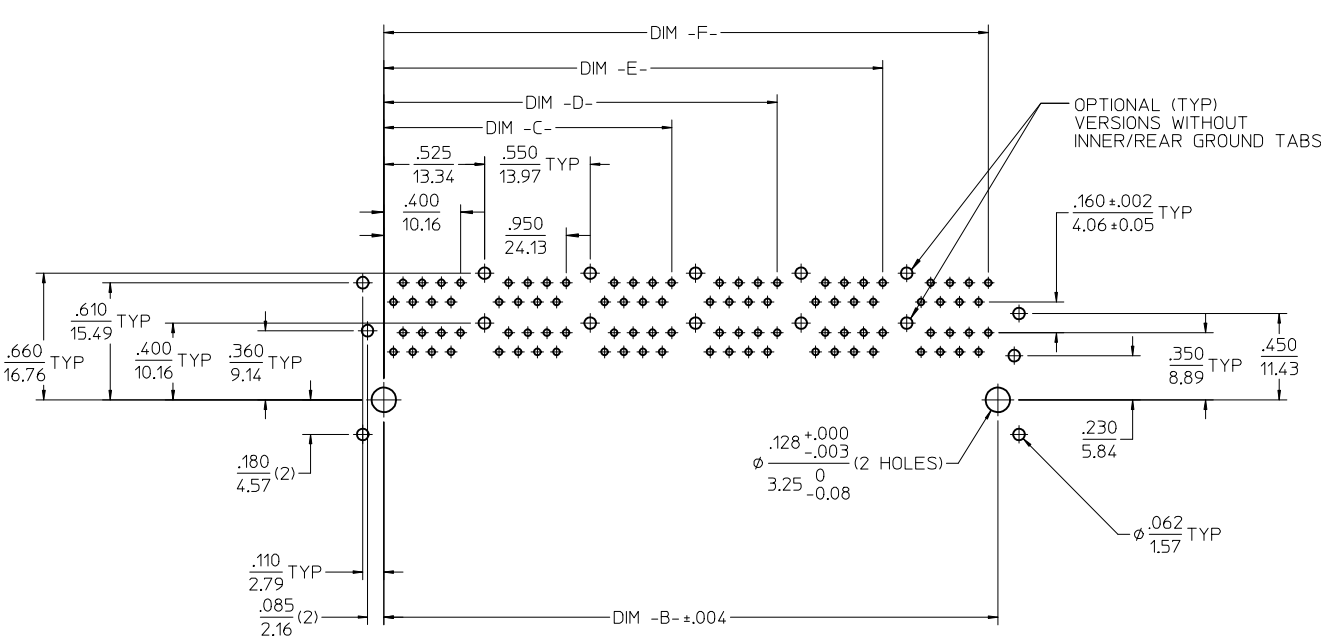
ISOMETRIC VIEW (NOT TO SCALE)



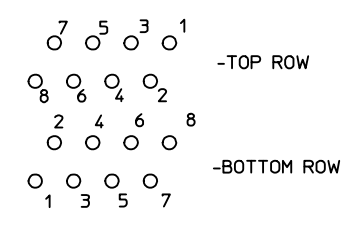
- NOTES:
- MATERIAL:
HOUSING: POLYESTERIPBT, GLASS FILLED, UL94V-0, COLOR: BLACK
TERMINALS: PHOSPHOR BRONZE
SHIELD: BRASS
 - FINISH:
TERMINALS:
SELECT GOLD IN CONTACT AREA: 50 MICROINCHES MIN.,
SELECT TIN IN PC TAIL AREA: 100 MICROINCHES MIN.,
WITH OVERALL NICKEL UNDERPLATE: 50 MICROINCHES MIN.
SHIELD:
100 MICROINCHES NICKEL OVER 50 MICROINCHES COPPER UNDERPLATE
PCB GROUND TABS DIPPED IN TIN
 - PRODUCT SPECIFICATION: PS-44050-003.
 - PACKAGING SPECIFICATION: CONNECTOR PACKAGED IN THERMOFORMED TRAYS PER PK-44520-003.
 - CONNECTORS AVAILABLE WITH EITHER SNAP-FIT OR PRESS-FIT PEGS.
 - CONFORMS TO FCC REGULATION PART 68.5 FOR MODULAR JACKS.
 - PCB LAYOUT AND PANEL CUT-OUT SHOWN ON SHEET (2) OF (2).
 - AVAILABLE WITH THE (8) PANEL GROUND TABS REMOVED ON EACH SIDE FOR SIDE TO SIDE STACKABILITY.
 - TERMINAL LENGTHS MAY BE DIFFERENT FROM TERMINAL TO TERMINAL.
 - THIS PART CONFORMS TO CLASS B REQUIREMENTS OF COSMETIC SPECIFICATION PS-45499-002 WITH THE EXCEPTION OF THE INDICATED SURFACE WHICH IS A CLASS C SURFACE.

ASSEMBLY MATERIAL NUMBER	NUMBER OF PORTS	PEG STYLE	DIM -A-	DIM -B-	SIDE PANEL GROUND TABS	INNER/REAR GROUND TABS
44520-0001	8 (2 X 4)	SNAP-FIT	2.330/59.18	2.100/53.34	YES	YES
44520-2001	8 (2 X 4)	SNAP-FIT	2.330/59.18	2.100/53.34	NO	YES
44520-3001	8 (2 X 4)	SNAP-FIT	2.330/59.18	2.100/53.34	YES	NO
44520-4001	8 (2 X 4)	SNAP-FIT	2.330/59.18	2.100/53.34	NO	NO
44520-0004	8 (2 X 4)	PRESS-FIT	2.330/59.18	2.100/53.34	YES	YES
44520-2004	8 (2 X 4)	PRESS-FIT	2.330/59.18	2.100/53.34	NO	YES
44520-3004	8 (2 X 4)	PRESS-FIT	2.330/59.18	2.100/53.34	YES	NO
44520-4004	8 (2 X 4)	PRESS-FIT	2.330/59.18	2.100/53.34	NO	NO
44520-0002	12 (2 X 6)	SNAP-FIT	3.430/87.12	3.200/81.28	YES	YES
44520-2002	12 (2 X 6)	SNAP-FIT	3.430/87.12	3.200/81.28	NO	YES
44520-3002	12 (2 X 6)	SNAP-FIT	3.430/87.12	3.200/81.28	YES	NO
44520-4002	12 (2 X 6)	SNAP-FIT	3.430/87.12	3.200/81.28	NO	NO
44520-0005	12 (2 X 6)	PRESS-FIT	3.430/87.12	3.200/81.28	YES	YES
44520-2005	12 (2 X 6)	PRESS-FIT	3.430/87.12	3.200/81.28	NO	YES
44520-3005	12 (2 X 6)	PRESS-FIT	3.430/87.12	3.200/81.28	YES	NO
44520-4005	12 (2 X 6)	PRESS-FIT	3.430/87.12	3.200/81.28	NO	NO

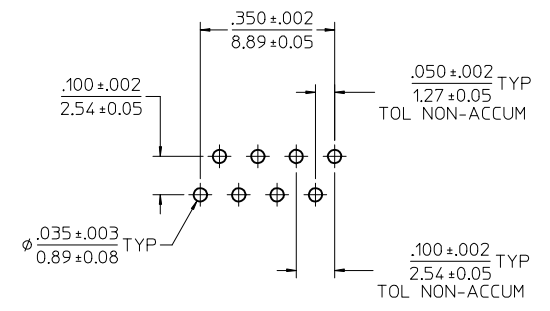
OBsolete 16 PORT EC NO: UCP2014-5436 DRWINANGUYEN 2014/06/26 CHKD:JBELL 2014/06/26 APPR:FSMITH 2014/07/17 D1	QUALITY SYMBOLS 	GENERAL TOLERANCES (UNLESS SPECIFIED)		DIMENSION STYLE IN/MM		SCALE 2:1	DESIGN UNITS INCH	THIRD ANGLE PROJECTION														
		<table border="1"> <tr><th>mm</th><th>INCH</th></tr> <tr><td>4 PLACES ± ---</td><td>± ---</td></tr> <tr><td>3 PLACES ± ---</td><td>± .010</td></tr> <tr><td>2 PLACES ± 0.25</td><td>± ---</td></tr> <tr><td>1 PLACE ± ---</td><td>± ---</td></tr> <tr><td>0 PLACE ±</td><td>±</td></tr> </table>		mm	INCH	4 PLACES ± ---	± ---	3 PLACES ± ---	± .010	2 PLACES ± 0.25	± ---	1 PLACE ± ---	± ---	0 PLACE ±	±	DRAWN BY MARGULIS 99/04/16		DATE 99/04/16		STACKED MODULAR JACK CATEGORY 5		
		mm	INCH																			
		4 PLACES ± ---	± ---																			
		3 PLACES ± ---	± .010																			
2 PLACES ± 0.25	± ---																					
1 PLACE ± ---	± ---																					
0 PLACE ±	±																					
DRAFT WHERE APPLICABLE MUST REMAIN WITHIN DIMENSIONS		CHECKED BY ROBERTS 99/04/18		DATE 99/04/18																		
ANGULAR ±1/2°		MATERIAL NO. SEE CHART		APPROVED BY ROBERTS 99/04/18		DATE 99/04/18		DOCUMENT NO. SD-44520-001														
SIZE 		THIS DRAWING CONTAINS INFORMATION THAT IS PROPRIETARY TO MOLEX INCORPORATED AND SHOULD NOT BE USED WITHOUT WRITTEN PERMISSION		SHEET NO. 1 OF 2																		



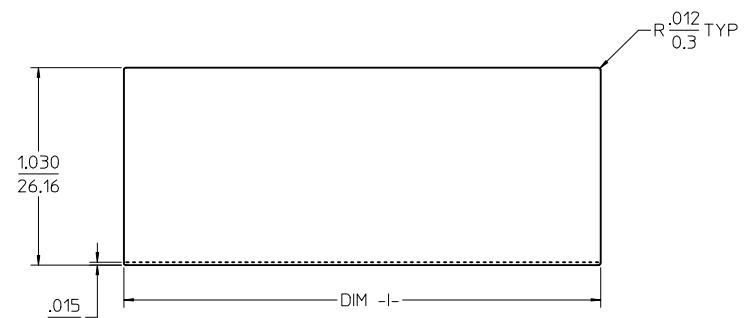
PC BOARD LAYOUT: COMPONENT SIDE
 RECOMMENDED PCB THICKNESS: .062/1.57
 (12 PORT VERSION SHOWN)
 ALL DIMENSION TOLERANCES ARE ±.003/±.04
 UNLESS SPECIFIED OTHERWISE



MOLEX TRADITIONAL PIN LAYOUT (TYP)



TYP HOLE LAYOUT (EACH PORT)



FROM TOP OF PCB
 TO BOTTOM OF OPENING

RECOMMENDED PANEL CUTOUT

NUMBER OF PORTS	DIM -B-	DIM -C-	DIM -D-	DIM -E-	DIM -F-	DIM -I-
8 (2 X 4)	2,100/53.34	1,500/38.10	2,050/52.07			2,360/59.94
12 (2 X 6)	3,200/81.28	1,500/38.10	2,050/52.07	2,600/66.04	3,150/80.01	3,460/87.88

SEE SHEET 1	QUALITY SYMBOLS
EC NO: UCP2014-5436	▽=0
DRW: NGUYEN 2014/06/26	▽=0
CHKD: BELL 2014/06/26	▽=0
APPR: FSMITH 2014/07/17	
REV	DESCRIPTION
D1	

GENERAL TOLERANCES (UNLESS SPECIFIED)

	mm	INCH
4 PLACES	± .010	± .0004
3 PLACES	± .010	± .0004
2 PLACES	± 0.25	± .010
1 PLACE	± .010	± .0004
0 PLACE	±	±

ANGULAR ±1/2°
 DRAFT WHERE APPLICABLE MUST REMAIN WITHIN DIMENSIONS

DIMENSION STYLE: IN/MM
 SCALE: 2:1
 DESIGN UNITS: INCH
 THIRD ANGLE PROJECTION
 DRAWN BY: MARGULIS DATE: 99/04/16
 CHECKED BY: ROBERTS DATE: 99/04/18
 APPROVED BY: ROBERTS DATE: 99/04/18

STACKED MODULAR JACK CATEGORY 5

molex

MATERIAL NO. SEE CHART DOCUMENT NO. SD-44520-001 SHEET NO. 2 OF 2

THIS DRAWING CONTAINS INFORMATION THAT IS PROPRIETARY TO MOLEX INCORPORATED AND SHOULD NOT BE USED WITHOUT WRITTEN PERMISSION