

4

3

2

1

THIS DRAWING IS UNPUBLISHED.

RELEASED FOR PUBLICATION

20

© COPYRIGHT 20

BY -

ALL RIGHTS RESERVED.

REVISIONS

P	LTR	DESCRIPTION	DATE	DWN	APVD
	A1	REVISED PER ECO-15-018523	29DEC2015	DD	LV
	A2	REVISED PER ECO-16-005357	06APR2016	DD	LV

1 POLYESTER PBT, COLOR: SEE TABLE.

2 PLUG HOUSING ACCEPTS JACK HOUSINGS MEETING DIN 72594-1, ROAD VEHICLES - RADIO FREQUENCY INTERFACE - DIMENSIONS AND ELECTRICAL REQUIREMENTS.

3. SEE INSTRUCTION SHEET 408-10028.

18.90 MAX

Ø7.65±0.05

Ø6.35±0.05

13.95 MAX

11.69 MAX

ISOMETRIC VIEW

PER DETAIL B	B	SIGNAL WHITE	2138710-2
PER DETAIL A	A	JET BLACK	2138710-1
KEYING	CODING REF	HOUSING COLOR	PART NUMBER.

THIS DRAWING IS A CONTROLLED DOCUMENT.		DWN K. PETERSON 28SEP2011		
DIMENSIONS: mm		CHK L. VARSIK 28SEP2011		
		APVD L. VARSIK 28SEP2011		
TOLERANCES UNLESS OTHERWISE SPECIFIED:		PRODUCT SPEC	NAME PLUG HOUSING, 1 POSITION, FAKRA, SMB	
0 PLC ±-		APPLICATION SPEC	SIZE	
1 PLC ±-		114-13157	CAGE CODE	
2 PLC ±-		WEIGHT	DRAWING NO	
3 PLC ±-		-	A300779	
4 PLC ±-		CUSTOMER DRAWING	G=2138710	
ANGLES ±-		SCALE	SHEET	
FINISH		4:1	1 OF 2	
-		REV	A2	
-				

1470-19 (3/13)

THIS DRAWING IS UNPUBLISHED.

RELEASED FOR PUBLICATION

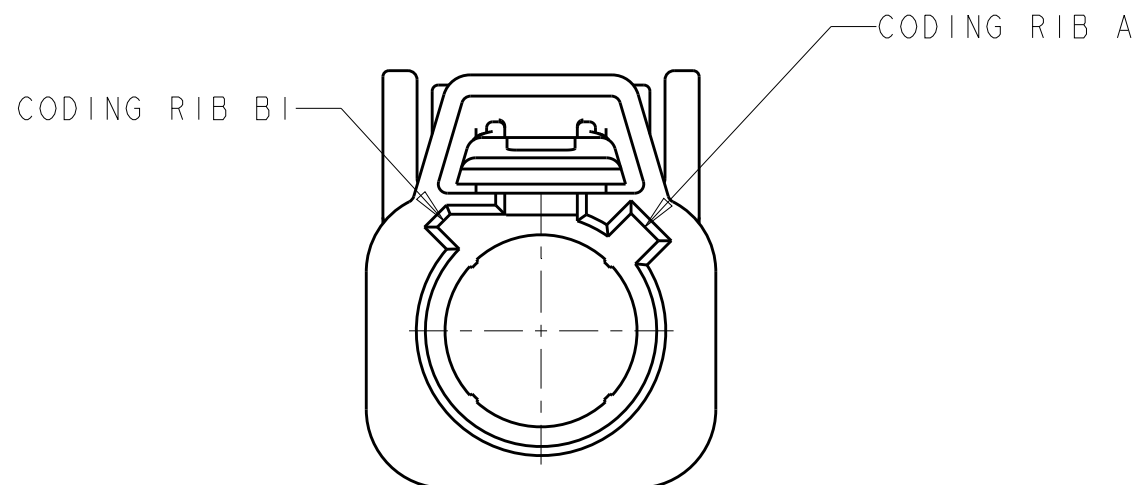
20

© COPYRIGHT 20 BY -

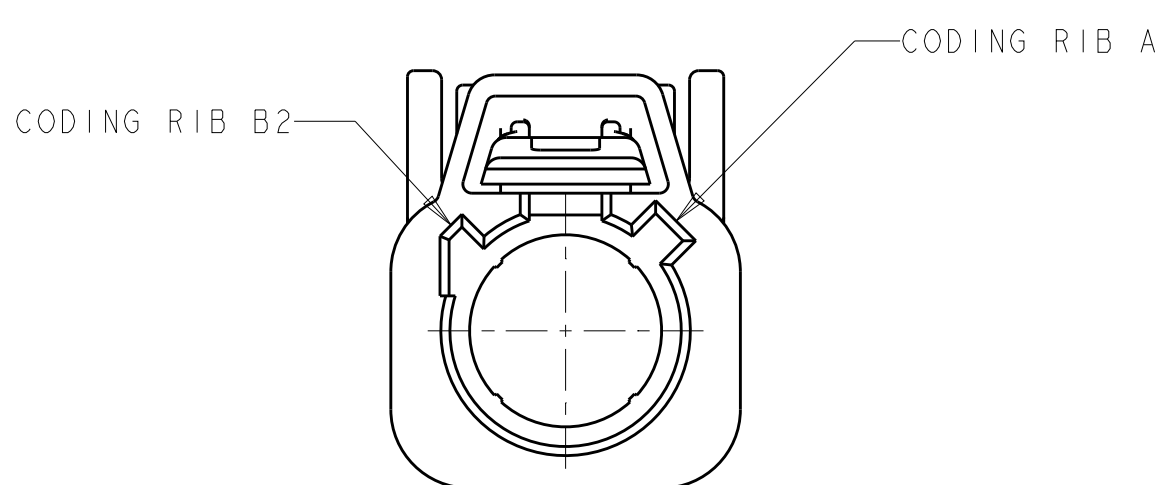
ALL RIGHTS RESERVED.

REVISIONS


P	LTR	DESCRIPTION	DATE	DWN	APVD
-		SEE SHEET 1	-	-	-



DETAIL A



DETAIL B

THIS DRAWING IS A CONTROLLED DOCUMENT.		DWN K. PETERSON 28SEP2011	 TE Connectivity		
DIMENSIONS: mm		CHK L. VARSIK 28SEP2011			
TOLERANCES UNLESS OTHERWISE SPECIFIED:		APVD L. VARSIK 28SEP2011	NAME PLUG HOUSING, 1 POSITION, FAKRA, SMB		
0 PLC ±- 1 PLC ±- 2 PLC ±- 3 PLC ±- 4 PLC ±- ANGLES ±-		PRODUCT SPEC -	RESTRICTED TO -		
MATERIAL -		APPLICATION SPEC 114-13157	SIZE A3	CAGE CODE 00779	DRAWING NO C-2138710
FINISH -		WEIGHT -	SCALE 4:1		SHEET 2 OF 2
		CUSTOMER DRAWING		REV A2	