

2204534-1 ✓ ACTIVE

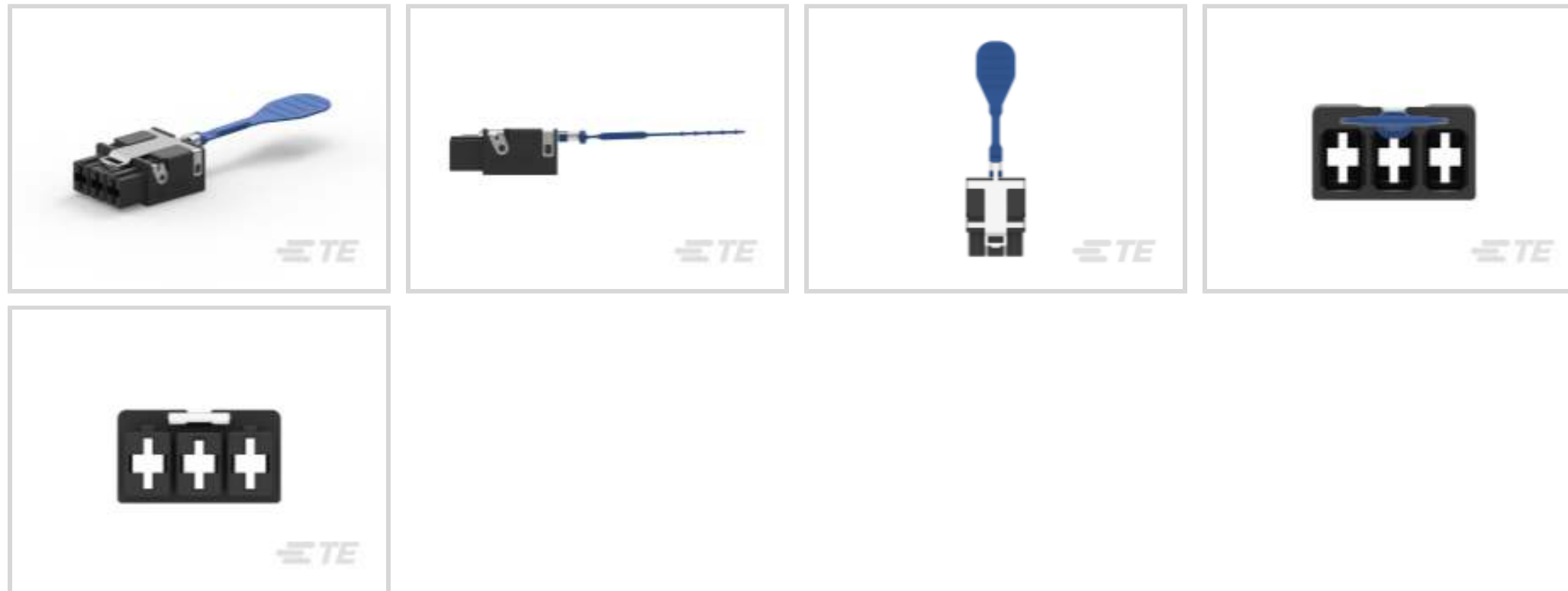
TE Internal #: 2204534-1

Rectangular Power Connectors, Connector Assembly, Plug, Wire-to-Board, 3 Position, 5.7 mm [.224 in] Centerline, Wire & Cable, UL 94V-0

[View on TE.com >](#)



Connectors > Power Connectors > Rectangular Power > Rectangular Power Connectors



Rectangular Power Connector Type: **Connector Assembly**

Connector & Housing Type: **Plug**

Connector System: **Wire-to-Board**

Number of Positions: **3**

Centerline (Pitch): **5.7 mm [.224 in]**

Features

Product Type Features

Rectangular Power Connector Type	Connector Assembly
Connector & Housing Type	Plug
Connector System	Wire-to-Board
Sealable	No
Connector & Contact Terminates To	Wire & Cable

Configuration Features

Number of Positions	3
Number of Power Positions	3
Number of Signal Positions	0
Number of Rows	1

Electrical Characteristics

Operating Voltage	400 VDC
-------------------	---------

Contact Features

Contact Retention Within Housing	With
----------------------------------	------



Contact Type

Receptacle

Termination Features

Termination Method to Wire & Cable

Crimp

Mechanical Attachment

Connector Mounting Type

Cable Mount (Free-Hanging)

Housing Features

Centerline (Pitch)

5.7 mm [.224 in]

Housing Color

Black

Housing Material

LCP GF30 (Liquid Crystal Polymer)

Dimensions

Wire Size

10 CMA

Usage Conditions

Operating Temperature Range

-40 – 105 °C [-40 – 221 °F]

Operation/Application

Circuit Application

Power

Industry Standards

UL Flammability Rating

UL 94V-0

Glow Wire Rating

Standard Part - Not Glow Wire

Packaging Features

Packaging Method

Tray

Product Compliance

For compliance documentation, visit the product page on [TE.com](https://www.te.com)>

EU RoHS Directive 2011/65/EU

Compliant

EU ELV Directive 2000/53/EC

Compliant

China RoHS 2 Directive MIIT Order No 32, 2016

No Restricted Materials Above Threshold

EU REACH Regulation (EC) No. 1907/2006

Current ECHA Candidate List: JUNE 2023 (235)

Candidate List Declared Against: JUNE 2023 (235)

Does not contain REACH SVHC

Halogen Content

Low Halogen - Br, Cl, F, I < 900 ppm per homogenous material. Also BFR/CFR/PVC Free



Solder Process Capability

Not applicable for solder process capability

Product Compliance Disclaimer

This information is provided based on reasonable inquiry of our suppliers and represents our current actual knowledge based on the information they provided. This information is subject to change. The part numbers that TE has identified as EU RoHS compliant have a maximum concentration of 0.1% by weight in homogenous materials for lead, hexavalent chromium, mercury, PBB, PBDE, DBP, BBP, DEHP, DIBP, and 0.01% for cadmium, or qualify for an exemption to these limits as defined in the Annexes of Directive 2011/65/EU (RoHS2). Finished electrical and electronic equipment products will be CE marked as required by Directive 2011/65/EU. Components may not be CE marked. Additionally, the part numbers that TE has identified as EU ELV compliant have a maximum concentration of 0.1% by weight in homogenous materials for lead, hexavalent chromium, and mercury, and 0.01% for cadmium, or qualify for an exemption to these limits as defined in the Annexes of Directive 2000/53/EC (ELV). Regarding the REACH Regulation, the information TE provides on SVHC in articles for this part number is based on the latest European Chemicals Agency (ECHA) 'Guidance on requirements for substances in articles' posted at this URL: <https://echa.europa.eu/guidance-documents/guidance-on-reach>

Compatible Parts



TE Part # 2204529-2
ELCON MINI 3P RA HEADER, SOLDER, STANDARD



TE Part # 2204581-2
ELCON MINI 3P RA HEADER, PRESS-FIT, STD



TE Part # 2204529-1
ELCON MINI 3P RA HEADER, SOLDER, T/P



TE Part # 2204535-1
ELCON MINI 2X3P STACKED RA HEADER, SOLDER



TE Part # 2204581-1
ELCON MINI 3P RA HEADER, PRESS-FIT, T/P



TE Part # 2204585-1
ELCON MINI 3P VERT HEADER, PRESS-FIT, T/P



TE Part # 2204585-2
ELCON MINI 3P VERT HEADER, SOLDER, T/P



TE Part # 2204585-3
ELCON MINI 3P VERT HEADER, PRESS-FIT, STD



TE Part # 2204585-4
ELCON MINI 3P VERT HEADER, SOLDER, STD



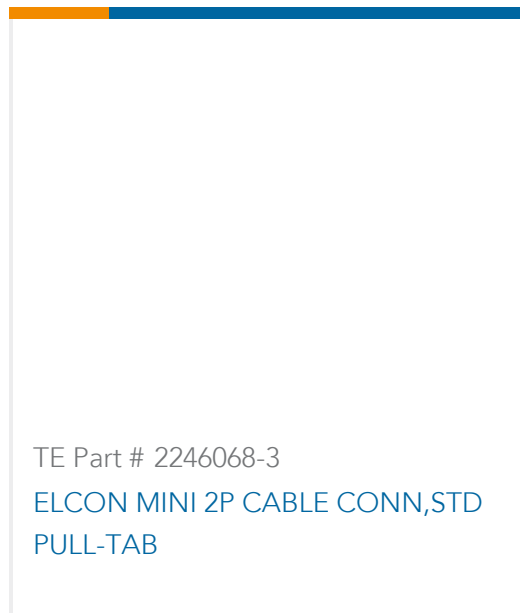
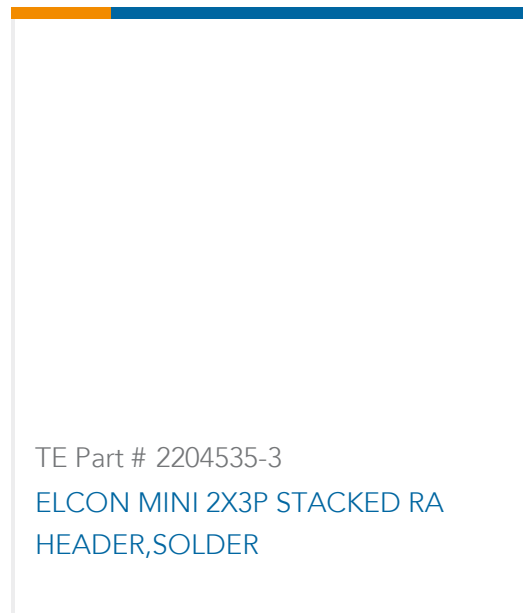
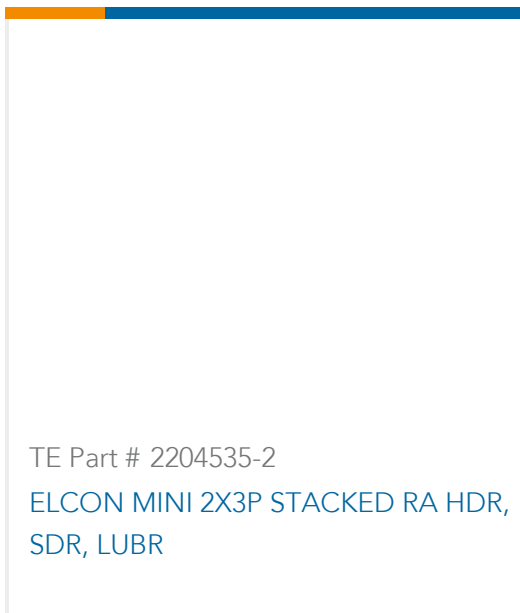
TE Part # 2246068-2
ELCON MINI 2P CABLE CONN, SHORT PULL-TAB



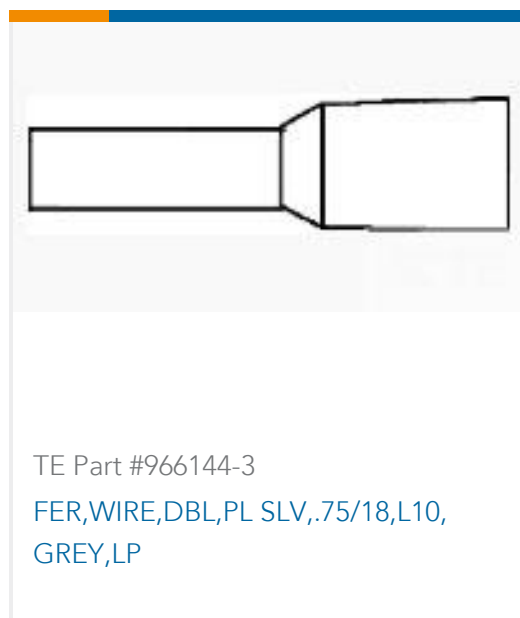
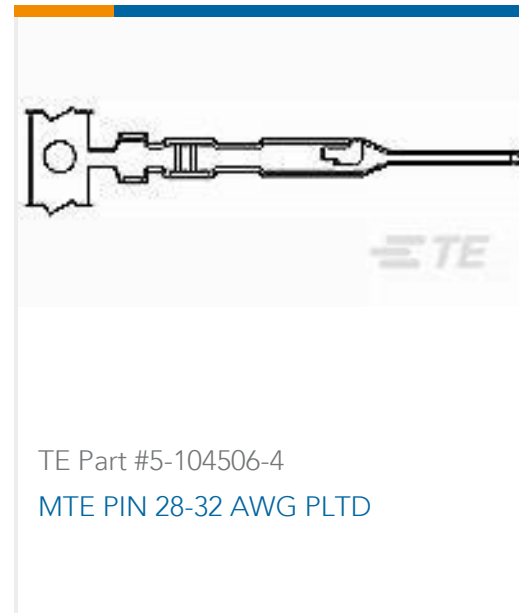
TE Part # 2204535-4
ELCON MINI 2X3P STACKED RA HEADER, SOLDER



TE Part # 2204581-3
ELCON MINI 3P RA HEADER, PRESS-FIT, STD



Customers Also Bought



Documents

Product Drawings

[ELCON MINI 3P CABLE CONN,PULL-TAB](#)

English

CAD Files

[3D PDF](#)

[3D](#)

[Customer View Model](#)

[ENG_CVM_CVM_2204534-1_B.2d_dxf.zip](#)



English

Customer View Model

[ENG_CVM_CVM_2204534-1_B.3d_igs.zip](#)

English

Customer View Model

[ENG_CVM_CVM_2204534-1_B.3d_stp.zip](#)

English

By downloading the CAD file I accept and agree to the [Terms and Conditions](#) of use.

Product Specifications

[Application Specification](#)

English

Product Environmental Compliance

[TE Material Declaration](#)

English