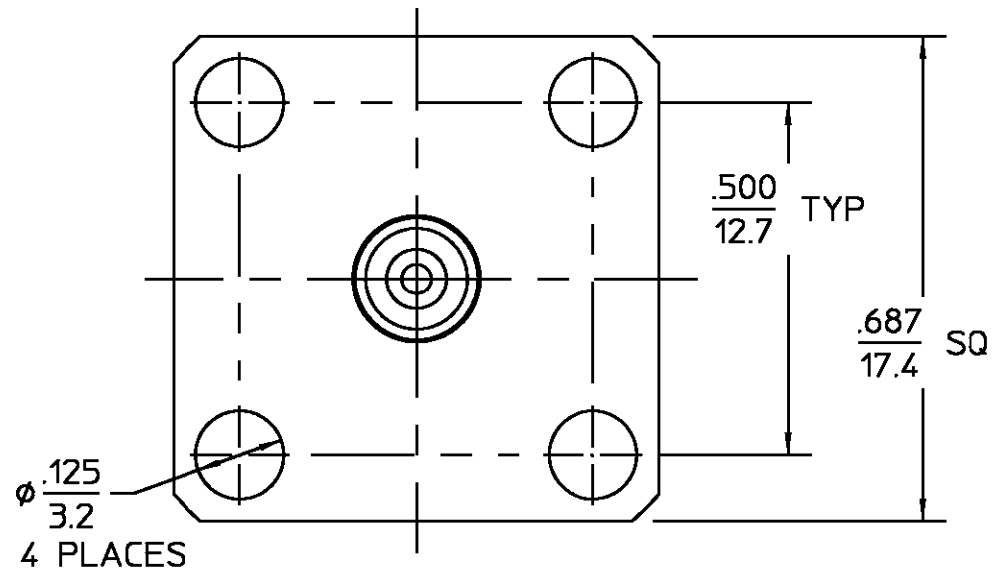


| | |
|-----------------------------------------|-------------|
| DESIGNED FOR USE WITH RG-405/U CABLE | |
| CABLE ENTRY DIAMETER MINIMUM | |
| HOUSING | .089 (2.26) |
| CONTACT | .023 (0.58) |

| REVISIONS | | | |
|-----------|------------------------|--------|-------------|
| REV | DESCRIPTION | DATE | APPROVED |
| 020 | REVISED; ECN 97-0063-1 | 3/6/97 | [Signature] |



NOTES:
1. CAPTURED CENTER CONTACT

| ELECTRICAL | MECHANICAL | ENVIRONMENTAL |
|------------------------------------------------------------------------|-----------------------------------------------------------|--------------------------------------------------------------------|
| Nominal Impedance (Ohms) <u>50</u> | Interface Dimensions MIL-STD-348A, Fig. 313.2 | Temperature Rating <u>-65°C to +105°C</u> |
| Frequency Range (GHz) <u>DC to 15</u> | Recommended Mating Torque <u>N/A</u> | Vibration MIL-STD-202, Method 204, Condition B. |
| Volt Rating (VRMS MAX) @ Sea Level <u>335</u> | Mating Characteristics: Insertion (MAX Lbs) <u>2.0</u> | Shock MIL-STD-202, Method 213, Condition I. |
| VSWR <u>1.35 MAX</u> | Withdrawal (MIN Oz) <u>2.0</u> | Thermal Shock MIL-STD-202, Method 107, Condition B |
| Insertion Loss (dB MAX) <u>.06 √f(GHZ)</u> | Force to Engage and Disengage (In-Lbs MAX) <u>2.0</u> | Exept High Temp Shall Be +115° |
| RF Leakage (dB MIN) <u>-90 @ 2-3GHz</u> | Center Contact Captivation Axial (Lbs) <u>6.0</u> | Moisture Resistance MIL-STD-202, Method 106, and MIL-C-39012 |
| Corona, 70,000 Ft (VRMS MIN) <u>250</u> | Radial (In-Oz) <u>N/A</u> | Corrosion - MIL-STD-202, Method 101, Condition B, 5% salt spray |
| Dielectric Withstanding Voltage (VRMS MIN) @ Sea Level <u>1,000</u> | Cable Retention Axial Force (Lbs MIN) <u>30.0</u> | |
| Contact Resistance (Milliohms MAX) Center Contact <u>1.5</u> | Torque (In-Oz) <u>N/A</u> <u>16.0</u> | |
| Outer Contact <u>0.2</u> | Weight (Grams) <u>TBD</u> | |
| Cable to Housing <u>0.5</u> | | |
| RF High Potential @ Sea Level (VRMS MIN @ 5 MHz) <u>670</u> | | |
| LR.(Megohms MIN) <u>5,000</u> | | |

.XXX = in
XX.X = mm (REF)

| COMPONENT | MATERIAL | FINISH |
|----------------|--------------------------------------------------------------------------------|-------------------------------|
| HOUSING | STAINLESS STEEL PER ASTM-A484 AND ASTM- A582, TYPE 303 | GOLD PLATE PER MIL-G-45204 |
| DIELECTRIC | TFE FLUOROCARBON PER ASTM-D-1457 | N/A |
| CENTER CONTACT | BERYLLIUM COPPER PER ASTM-B-196 OR ASTM-B-197, ALLOY C17300, CONDITION H | GOLD PLATE PER MIL-G-45204 |
| PIN CONTACT | BRASS PER ASTM-B-16, HALF HARD | GOLD PLATE PER MIL-G-45204 |

UNLESS OTHERWISE SPECIFIED
DIMENSIONS ARE IN INCHES
TOLERANCE ON

| | | |
|--------|-------|--------|
| FRAC. | DEC. | ANGLES |
| ± 1/64 | ±.005 | ± ° |

These drawings and specifications are the property of M/A-COM Incorporated and shall not be reproduced or copied or used in whole or in part as the basis for the manufacture or sale of item(s) without written permission.

DRAWN BY [Signature] DATE 12/20/96
CHECKED BY [Signature]
APPD BY [Signature] 3/7/97

USE ASS'Y PROCEDURE
408-04747
NO. AP. (31-156)

AMP Incorporated
140 Fourth Avenue
Waltham, MA 02451-7599

TITLE "TNC" 4 HOLE FLANGE
MOUNT CABLE JACK
DIRECT SOLDER

| | | | |
|-----------|-------------------------|--------------|------------|
| SIZE B | CODE IDENT NO. 26805 | 3106-5074-00 | REV 020 |
|-----------|-------------------------|--------------|------------|

SCALE 4 : 1 SHEET 1 OF 1