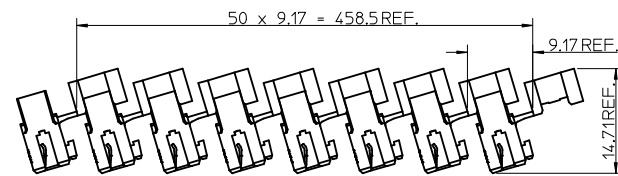
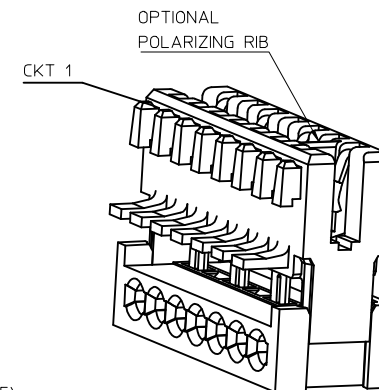
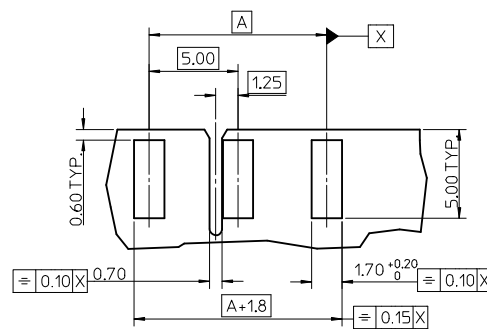
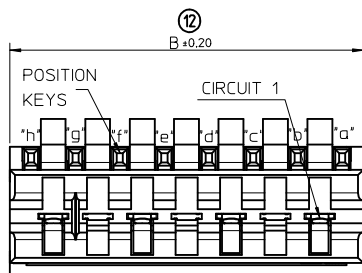
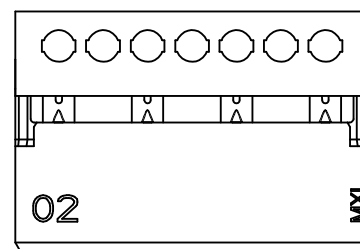
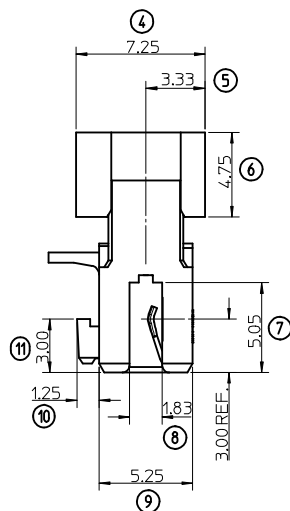
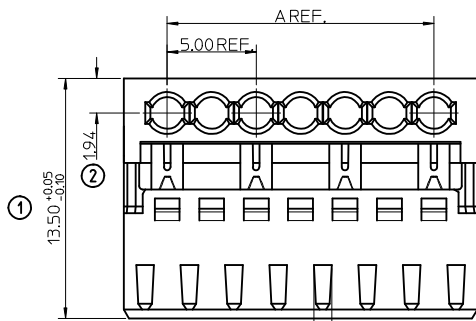


COLOUR STRIPE WITHIN SHADED AREA (SEE NOTE 3)



SHIPPING ARRANGEMENT
SCALE 2:1

CCT	"A"	"B"
2	5	9.875
3	10	14.875
4	15	19.875
5	20	24.875
6	25	29.875
7	30	34.875
8	35	39.875
9	40	44.875
10	45	49.875



- PCB LAYOUT FOR 3CCT CONNECTOR (WITH OPTIONAL POSITIONAL RIB SLOT BETWEEN HSG CCT 4 & HSG CCT 5)
- THE POSITIONAL RIB SLOT CAN BE PLACED BETWEEN ANY TWO CIRCUITS TO SUIT MATING CONNECTOR. ABOVE SKETCH SHOWS A PARTICULAR EXAMPLE
- RECOMMENDED PCB THICKNESS 1.5±0.14mm. ALL PCB DIMENSIONS ARE REFERENCE ONLY

NOTES:

- REFER TO PRODUCT SPECIFICATION: PS-92336-001
- MATERIAL: HOUSING - PA 6. UL94-V2.
COLOUR: NATURAL (WHITE)
TERMINAL: COPPER ALLOY 0.25 REF. THICK
PLATING - Sn
- COLOUR STRIPE IS OPTIONAL, AVAILABLE IN THE FOLLOWING COLOURS: RED, GREEN, BLUE.
(BLACK SPECIFIES CUSTOMER SPECIFIC CONFIGURATION)
- REFER TO PACKAGING SPECIFICATION: PK-90871-001
- REFER TO APPLICATION SPECIFICATION: AS-99033-0008)

ADDED NEW PART NUMBERS EC NO: IPG2014-1185 DRAWN: MONAHAN 2014/01/07 CHKD: STURGEON APPR: STURGEON 2014/01/16	QUALITY SYMBOLS ▽=0 ▽=0	GENERAL TOLERANCES (UNLESS SPECIFIED)		DIMENSION STYLE MM ONLY		SCALE 5:1	DESIGN UNITS METRIC	THIRD ANGLE PROJECTION	
		mm	INCH	DRAWN BY TTOURISH	DATE 08/10/23	TITLE RAST 2.5 SIGNAL ASSY 5MM PITCH	MOLEX INCORPORATED		
		4 PLACES ±---	±---	CHECKED BY BRUTTLE	DATE 08/10/23	MATERIAL NO. SD-92338-001			
		3 PLACES ±0.05	±---	APPROVED BY BMAGUIRE	DATE 2010/12/23	DOCUMENT NO. 1 OF 3			
		2 PLACES ±0.10	±---	SEE SHEET 2-3		THIS DRAWING CONTAINS INFORMATION THAT IS PROPRIETARY TO MOLEX INCORPORATED AND SHOULD NOT BE USED WITHOUT WRITTEN PERMISSION			
		1 PLACE ±0.20	±---	SIZE A2					
		ANGULAR ±1/2°		DRAFT WHERE APPLICABLE MUST REMAIN WITHIN DIMENSIONS					

2 CIRCUIT

MOLEX PART NO.	MOLEX HOUSING NO.	REMOVED POSITION KEYS	CONFIGURATION (SEE NOTES)	POLARIZING RIB	COLOUR STRIPE
92338-0002	92335-0003	NONE		NONE	NONE
92338-0003	92335-0003	a		NONE	NONE
92338-0004	92335-0003	b		NONE	NONE
92338-0005	92335-0003	c		NONE	NONE
92338-0006	92335-0003	d		NONE	NONE
92338-0007	92335-0003	b d		NONE	NONE
92338-0008	92335-0003	a c		NONE	NONE
92338-0009	92335-0003	a d		NONE	NONE
92338-0010	92335-0003	a b		NONE	NONE
92338-0011	92335-0003	b c		NONE	NONE
92338-0012	92335-0003	c d		NONE	NONE
92338-0014	92335-0003	b c d		NONE	NONE
92338-0013	92335-0003	b c		NONE	RED
92338-0015	92335-0003	b c d		NONE	BLUE
92338-0016	92335-0003	c d		NONE	BLUE
92338-0017	92335-0203	NONE		BETWEEN H9G CKT 2&3	NONE
92338-0018	92335-0103	NONE		BETWEEN H9G CKT 1&2	NONE
92338-0019	92335-0003	NONE		NONE	BLUE
92338-0020	92335-0003	a c		NONE	BLUE
92338-0021	92335-0003	b c		NONE	GREEN
92338-0022	92335-0003	a d		NONE	GREEN
92338-0023	92335-0003	NONE		NONE	GREEN
92338-0024	92335-0103	d		BETWEEN H9G CKT 1&2	RED
92338-0025	92335-0103	a c		BETWEEN H9G CKT 1&2	RED

2 CIRCUIT (cont'd)

MOLEX PART NO.	MOLEX HOUSING NO.	REMOVED POSITION KEYS	CONFIGURATION (SEE NOTES)	POLARIZING RIB	COLOUR STRIPE
92338-0026	92335-0203	a		BETWEEN H9G CKT 2&3	NONE
92338-0027	92335-0203	NONE		BETWEEN H9G CKT 2&3	RED
92338-0028	92335-0003	a		NONE	RED
92338-0029	92335-0003	NONE		NONE	RED
92338-0030	92335-0103	b c d		BETWEEN H9G CKT 1&2	RED
92338-0031	92335-0203	a		BETWEEN H9G CKT 2&3	RED
92338-0032	92335-0003	b		NONE	RED
92338-0033	92335-0003	d		NONE	YELLOW
92338-0035	92335-0003	b d		NONE	GREEN
92338-0036	92335-0103	NONE		BETWEEN H9G CKT 1&2	RED
92338-0037	92335-0103	b d		BETWEEN H9G CKT 1&2	RED
92338-0038	92335-0203	a c		BETWEEN H9G CKT 2&3	NONE
92338-0039	92335-0003	a b d		NONE	NONE
92338-0040	92335-0003	a		NONE	BLUE
92338-0041	92335-0203	a d		BETWEEN H9G CKT 2&3	BLUE
92338-0042	92335-0003	d		NONE	BLUE
92338-0044	92335-0003	ALL		NONE	BLUE
92338-0045	92335-0103	a c d		BETWEEN H9G CKT 1&2	RED
92338-0046	92335-0103	a b d		BETWEEN H9G CKT 1&2	GREEN
92338-0047	92335-0203	a b d		BETWEEN H9G CKT 2&3	BLACK

NOTES

- + DENOTES TERMINAL VOIDED POSITION
 - ⊕ DENOTES TERMINAL LOADED POSITION
 - ! DENOTES POLARIZING RIB POSITION
- HOUSING NUMBER FOR MOLEX REFERENCE ONLY

3 CIRCUIT

MOLEX PART NO.	MOLEX HOUSING NO.	REMOVED POSITION KEYS	CONFIGURATION (SEE NOTES)	POLARIZING RIB	COLOUR STRIPE
92338-1001	92335-0005	NONE		NONE	NONE
92338-1002	92335-0005	b		NONE	NONE
92338-1003	92335-0005	c		NONE	NONE
92338-1004	92335-0005	c d e		NONE	NONE
92338-1005	92335-0405	NONE		BETWEEN H9G CKT 4&5	NONE
92338-1007	92335-0105	NONE		BETWEEN H9G CKT 1&2	NONE
92338-1008	92335-0005	d e f		NONE	RED
92338-1009	92335-0005	a b c		NONE	RED
92338-1010	92335-0005	a c d e		NONE	NONE
92338-1011	92335-0005	a c d e		NONE	BLUE
92338-1012	92335-0005	d e f		NONE	NONE

4 CIRCUIT

MOLEX PART NO.	MOLEX HOUSING NO.	REMOVED POSITION KEYS	CONFIGURATION (SEE NOTES)	POLARIZING RIB	COLOUR STRIPE
92338-2001	92335-0007	NONE		NONE	NONE
92338-2002	92335-0007	a		NONE	NONE
92338-2003	92335-0007	b		NONE	NONE
92338-2004	92335-0007	d f		NONE	NONE
92338-2005	92335-0007	a e g		NONE	RED
92338-2006	92335-0007	c e		NONE	NONE
92338-2007	92335-0007	NONE		NONE	BLUE

REMOVED DUPLICATE PART NOS ELEC NO: IPC2014-1185 DRAWN BY: DRWINCHONWAN CHKD: APPR:STRIFE IN DATE: 2014/01/16	QUALITY SYMBOLS ▽=0 ▽=0	GENERAL TOLERANCES (UNLESS SPECIFIED) mm INCH 4 PLACES ± --- ± --- 3 PLACES ± 0.05 ± --- 2 PLACES ± 0.10 ± --- 1 PLACE ± 0.20 ± --- ANGULAR ± 1/2°	DIMENSION STYLE MM ONLY	SCALE 1:1	DESIGN UNITS METRIC	THIRD ANGLE PROJECTION
	DRAWN BY: TOURISH CHECKED BY: BRUTTLE APPROVED BY: BMAGUIRE DATE: 08/10/23 DATE: 08/10/23 DATE: 2010/12/23	TITLE RAST 2.5 SIGNAL ASSY 5MM PITCH	MATERIAL NO. SEE CHARTS	DOCUMENT NO. SD-92338-001	SHEET NO. 2 OF 3	
	DRAFT WHERE APPLICABLE MUST REMAIN WITHIN DIMENSIONS					
	THIS DRAWING CONTAINS INFORMATION THAT IS PROPRIETARY TO MOLEX INCORPORATED AND SHOULD NOT BE USED WITHOUT WRITTEN PERMISSION					

5 CIRCUIT

MOLEX PART NO.	MOLEX HOUSING NO.	REMOVED POSITION KEYS	CONFIGURATION (SEE NOTES)	POLARIZING RIB	COLOUR STRIPE
92338-3001	92335-0009	NONE		NONE	NONE
92338-3002	92335-0009	b c g h i		NONE	GREEN

8 CIRCUIT

MOLEX PART NO.	MOLEX HOUSING NO.	REMOVED POSITION KEYS	CONFIGURATION (SEE NOTES)	POLARIZING RIB	COLOUR STRIPE
92338-6001	92335-0015	NONE		NONE	NONE

6 CIRCUIT

MOLEX PART NO.	MOLEX HOUSING NO.	REMOVED POSITION KEYS	CONFIGURATION (SEE NOTES)	POLARIZING RIB	COLOUR STRIPE
92338-4001	92335-0011	NONE		NONE	NONE
92338-4002	92335-0011	b c d e f g h i k		NONE	NONE
92338-4008	92335-0011	NONE		NONE	BLUE

9 CIRCUIT

MOLEX PART NO.	MOLEX HOUSING NO.	REMOVED POSITION KEYS	CONFIGURATION (SEE NOTES)	POLARIZING RIB	COLOUR STRIPE
92338-7001	92335-0017	NONE		NONE	NONE

7 CIRCUIT

MOLEX PART NO.	MOLEX HOUSING NO.	REMOVED POSITION KEYS	CONFIGURATION (SEE NOTES)	POLARIZING RIB	COLOUR STRIPE
92338-5001	92335-0013	a c e g i k m		NONE	NONE
92338-5002	92335-0013	NONE		NONE	BLUE

10 CIRCUIT

MOLEX PART NO.	MOLEX HOUSING NO.	REMOVED POSITION KEYS	CONFIGURATION (SEE NOTES)	POLARIZING RIB	COLOUR STRIPE
92338-8001	92335-0019	NONE		NONE	NONE

NOTES
 1. + DENOTES TERMINAL VOIDED POSITION
 ○ DENOTES TERMINAL LOADED POSITION
 † DENOTES POLARIZING RIB POSITION
 2. HOUSING NUMBER FOR MOLEX REFERENCE ONLY

SEE SHEET 1 EC NO: IPG2014-1185 DRAWN BY: DRWINCHONHAN CHKD: APPR: STRIFFEIN 2014/01/07 2014/01/16	QUALITY SYMBOLS	GENERAL TOLERANCES (UNLESS SPECIFIED)	DIMENSION STYLE	SCALE	DESIGN UNITS	THIRD ANGLE PROJECTION	
		mm INCH	MM ONLY	5:1	METRIC		
		4 PLACES ± --- ± --- 3 PLACES ± 0.05 ± --- 2 PLACES ± 0.10 ± --- 1 PLACE ± 0.20 ± ---	DRAWN BY DATE TTOURISH 08/10/23 CHECKED BY DATE BRUTTLE 08/10/23 APPROVED BY DATE BMAGUIRE 2010/12/23	TITLE	RAST 2.5 SIGNAL ASSY 5MM PITCH		
	DRAFT WHERE APPLICABLE MUST REMAIN WITHIN DIMENSIONS	SEE CHARTS	MATERIAL NO.	DOCUMENT NO.	MOLEX INCORPORATED SD-92338-001		SHEET NO. 3 OF 3

THIS DRAWING CONTAINS INFORMATION THAT IS PROPRIETARY TO MOLEX INCORPORATED AND SHOULD NOT BE USED WITHOUT WRITTEN PERMISSION