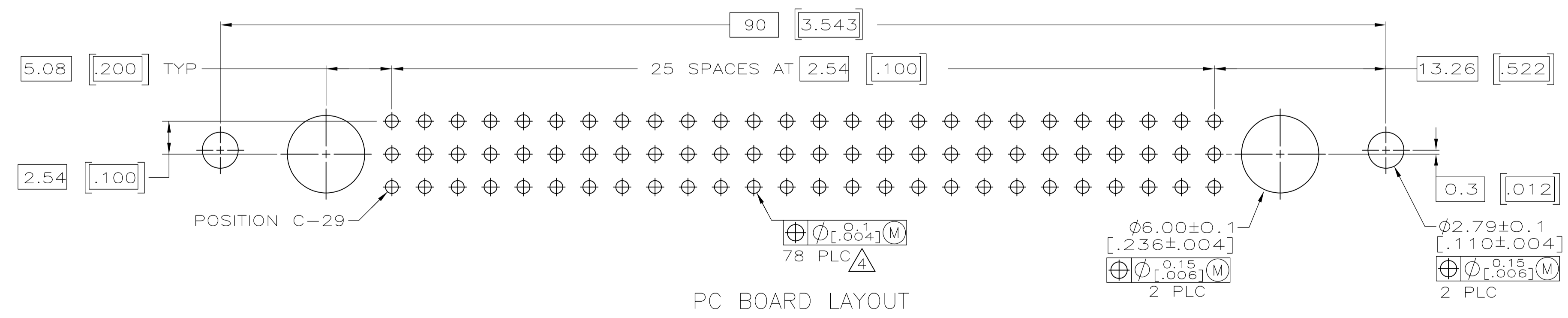
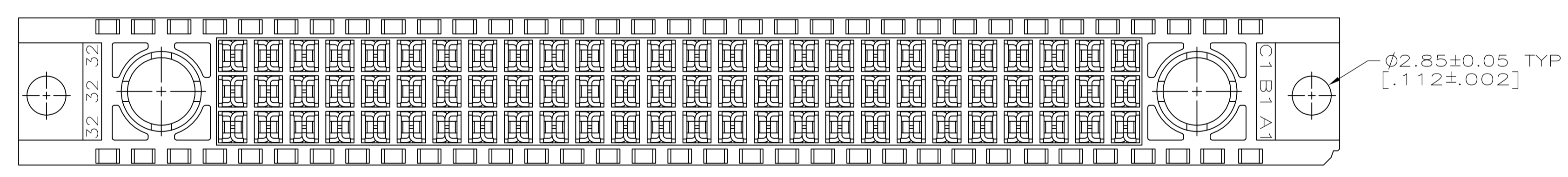
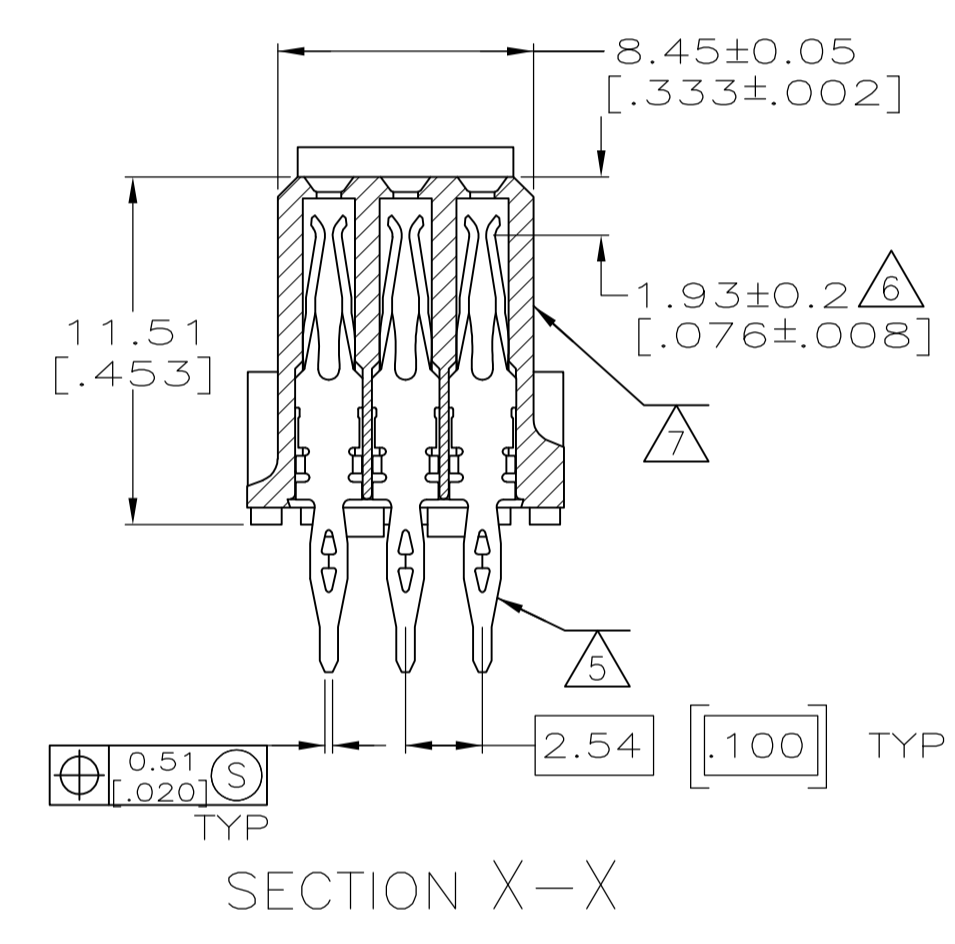
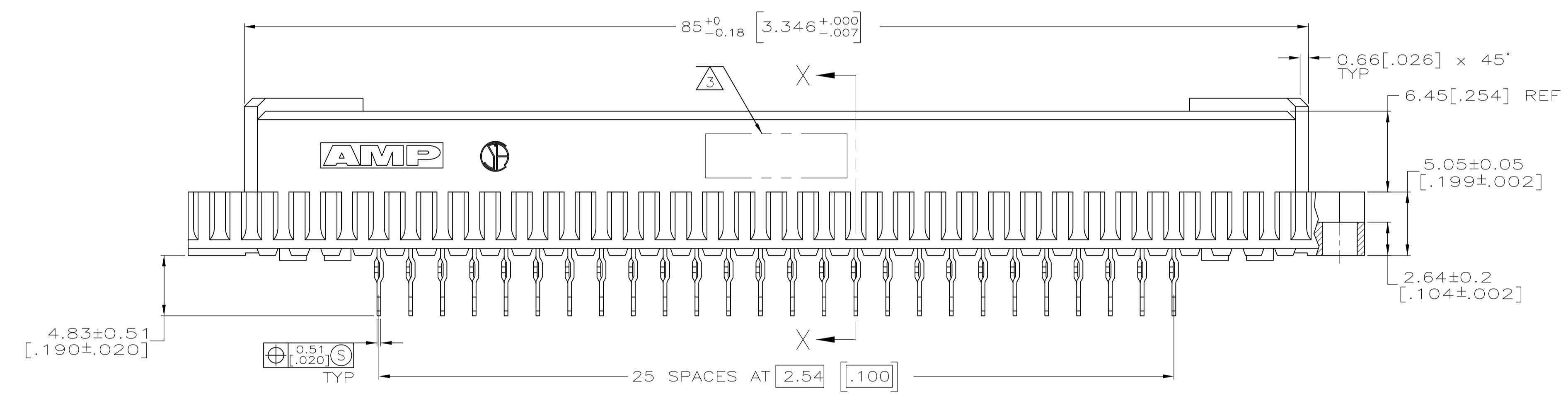
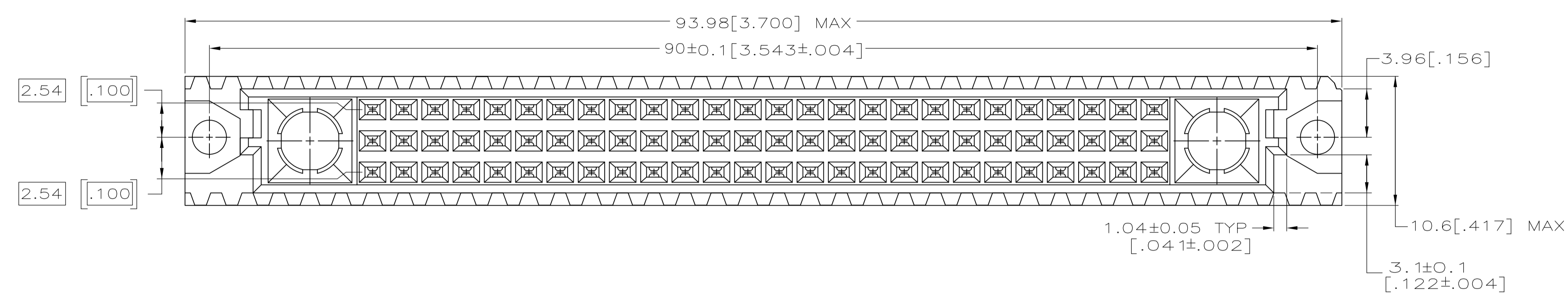


- ① HOUSING MATERIAL: GLASS-FILLED POLYMER.
- ② CONTACT MATERIAL: COPPER ALLOY.
- ③ PART NUMBER, DATE CODE IDENTIFICATION, CSA LOGO IN THIS APPROXIMATE AREA.
- ④ ACTION PIN POSTS REQUIRE 1.57[.062] MINIMUM THICK PC BOARD. RECOMMENDED PC BOARD DRILLED HOLES ARE $\phi 1.15 \pm 0.025$ [.0453 \pm .0010] WITH 0.02-0.08 [.001-.003] COPPER AND 0.008 [.0003] MINIMUM TIN-LEAD PLATING. FINISHED HOLES AFTER PLATING $\phi 0.94-1.09$ [.037-.043].
- ⑤ CONTACT FINISH: DIN 41612 CLASS 2 IN CONTACT AREA. TIN PLATE ON POSTS.
- ⑥ CONTACT POINT.
- ⑦ MARKING ON THIS SIDE.



5148417-5
PART NUMBER

THIS DRAWING IS A CONTROLLED DOCUMENT.		DWN: J. POLIGNONE 13APROS	Tyco Electronics Corporation Tyco Electronics Corporation Harrisburg, PA 17105-3608	
DIMENSIONS: mm [INCHES]		CHK: A. SHARPE 13APROS	NAME: ASSEMBLY, RECEPTACLE, TYPE M, EUROCARD, 78+2, PRESS-FIT, 4.83[.190]	
TOLERANCES UNLESS OTHERWISE SPECIFIED:		APP'D: A. SHARPE 13APROS	PRODUCT SPEC: APPLICATION SPEC	
0 PLC \pm -		SIZE: A1		
1 PLC \pm -		CAGE CODE: 00779		
2 PLC \pm 0.13[.005]		DRAWING NO: 5148417		
3 PLC \pm -		RESTRICTED TO: -		
4 PLC \pm -		WEIGHT: -		
ANGLES \pm -		CUSTOMER DRAWING		
FINISH: ⑤		SCALE: 4:1 SHEET: 1 of 1 REV: 01		