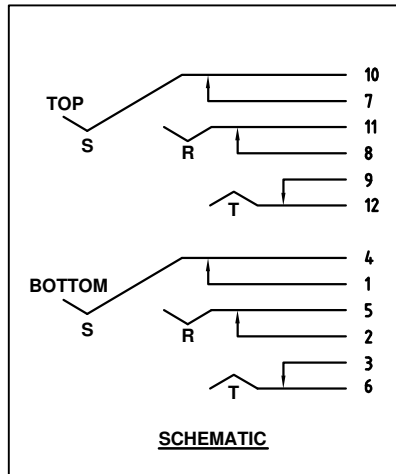
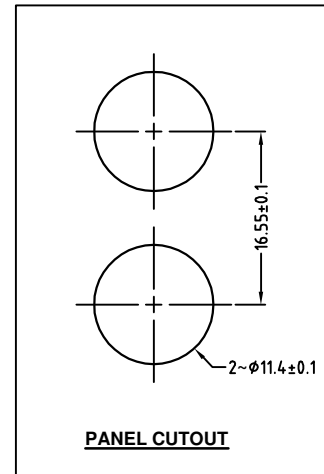


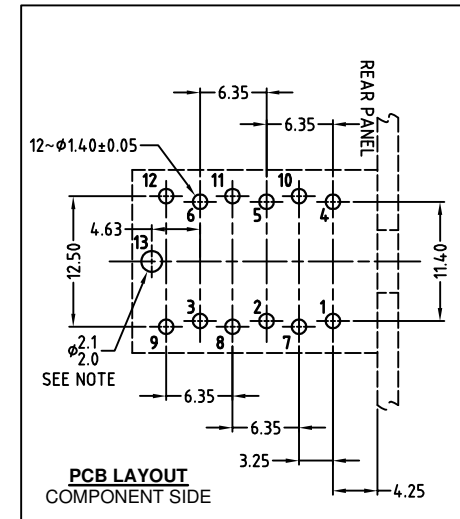
ISO VIEW
SCALE 1:1



SCHEMATIC



PANEL CUTOUT



PCB LAYOUT
COMPONENT SIDE

NOTE: OPTIONAL MOUNTING HOLE FOR SELF-TAPPING M2 SCREW

UNLESS OTHERWISE SPECIFIED TOLERANCE TO BE	THIS DOCUMENT IS THE PROPERTY OF AMPHENOL AUSTRALIA PTY. LTD. NO PART THEREOF MAY BE REPRODUCED AND USED WITHOUT THE PRIOR WRITTEN CONSENT OF THE OWNER				0	FIRST ISSUE	M.H	02-05-07	----
	LINEAR	ANGULAR	CAD FILE: 55010377002120	DRN: M.H	REV.	CHANGE DETAILS	BY	DATE	CHG/No
X ± .5	X° ± 1°	MATL: REFER TO COMPONENT	DATE: 02-05-07	TITLE: 1/4 PHONE STEREO DUAL JACK COMPACT CUSTOMER DWG		Amphenol			
X.X ± 0.1	X°X' ± 30'	DO NOT SCALE	DATE: 02-05-07	APP'D: P.M	DATE: 02-05-07	DRAWING NO. SHEET		Amphenol Australia Pty Ltd, 2 Fineways Blvd, Keysborough, Vic 3173	
X.XX ± 0.05	X°X'X" ± 15"	DIMENSIONS IN MILLIMETRES	THIRD ANGLE PROJECTION	SCALE: 2:1 UOS	PART No: ACJS-MHDC	SIZE: A3	55010377-001-2		2 OF 2