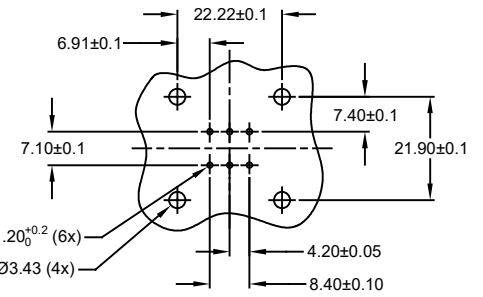
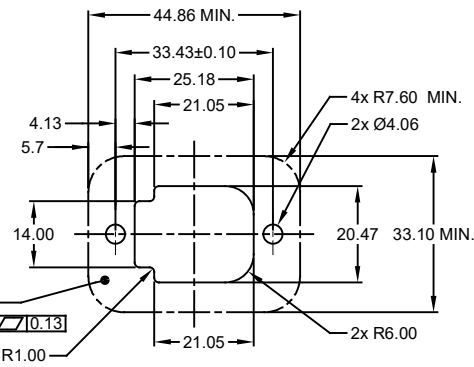
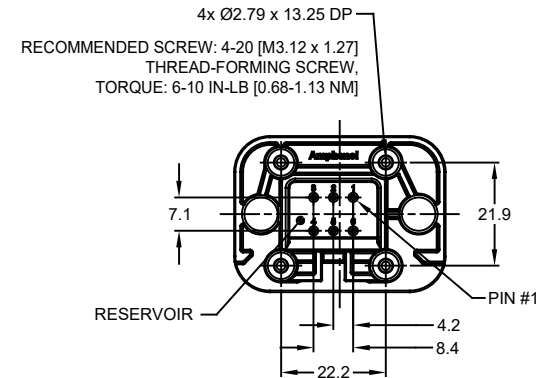
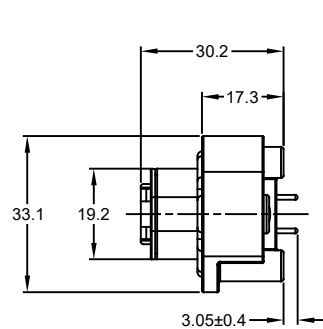
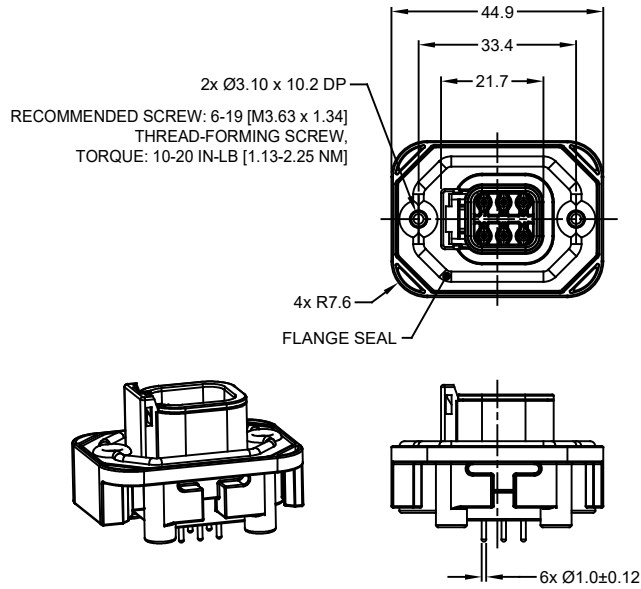


REVISIONS					
REV	ECO	DESCRIPTION	DATE	BY	APPR
A1	-	RELEASE NEW DRAWING	15JUN18	SULLEN	TOMMY
A2	-	REVISED DRAWING	10JUL20	JHEAD	DH



NOTES: UNLESS OTHERWISE SPECIFIED

- MATERIAL:
HOUSING: THERMOPLASTIC, GREY
SEAL: SILICONE RUBBER
CONTACT: COPPER ALLOY
- MODIFICATIONS: FLANGE; STRAIGHT PCB MOUNT
- SPECIFICATIONS:
3.1 CURRENT RATING: 7.5 AMPS
3.2 OPERATING TEMPERATURE: -55°C TO +125°C
3.3 DIELECTRIC WITHSTANDING VOLTAGE: LESS THAN 2 MILLIAMPS CURRENT LEAKAGE @ 1500 VOLTS AC
3.4 INSULATION RESISTANCE: 1000 MEGOHMS MIN @ 25°C
3.5 MOISTURE RESISTANCE: IP67 (MATED CONDITION)
3.6 MATING CYCLE DURABILITY: 100 CYCLES
3.7 RoHS COMPLIANT
- MATING PART: ATM06-6S* (* = ALL MODIFICATIONS)
- ALL DIMENSIONS ARE FOR REFERENCE USE ONLY
- POTTED CONNECTORS SPECIFIED FOR UP TO 5 P.S.I. APPLICATIONS.

ATM15-6P-BMXX VARIANTS		
CONTACT PLATING	POTTING OR NOT IN RESERVOIR	PART NUMBER
GOLD	NO POTTING	ATM15-6P-BM01
GOLD	POTTING	ATM15-6P-BM02
TIN	NO POTTING	ATM15-6P-BM03
TIN	POTTING	ATM15-6P-BM04

ATM15-6P-BMXX		PART NUMBER		DESCRIPTION		ITEM																																															
<table border="1"> <thead> <tr> <th>QUANTITY</th> <th colspan="3">MATERIALS LIST</th> </tr> </thead> <tbody> <tr> <td>UNLESS OTHERWISE SPECIFIED</td> <td colspan="2">SIGNATURES</td> <td>DATE</td> <td colspan="3" rowspan="4"> <p>Sine Systems - www.amphenol-sine.com 44724 Morley Drive Clinton Township, MI 48036</p> </td> </tr> <tr> <td>1) All dimensions are in metric (mm).</td> <td>DRAWN: SULLENZHANG</td> <td>15JUN18</td> </tr> <tr> <td>2) Tolerances are as follows:</td> <td>CHECKED: ORIONLI</td> <td>15JUN18</td> </tr> <tr> <td>1 PL DEC ±0.30 Fractions ±1/64 2 PL DEC ±0.15 Angles ±1° 3 PL DEC ±0.08</td> <td>ENGINEER:</td> <td></td> </tr> <tr> <td>3) Note reference = </td> <td>APPROVAL: TOMMYXIE</td> <td>15JUN18</td> <td></td> </tr> <tr> <td>MATERIAL SPECIFICATIONS:</td> <td colspan="2">CUSTOMER:</td> <td></td> <td colspan="3">BOARDLOCK PCB MOUNT RECEPTACLE, 6 PIN, STRAIGHT FLANGE, ATM SERIES</td> </tr> <tr> <td>PROCESS SPECIFICATIONS:</td> <td colspan="2">THIS DRAWING IS SUPPLIED FOR INFORMATION ONLY. DESIGN FEATURES, SPECIFICATIONS AND PERFORMANCE DATA SHOWN HEREON ARE THE PROPERTY OF THE AMPHENOL CORPORATION. NO RIGHTS OF REPRODUCTION ARE IMPLIED. ALL DIMENSIONS ARE SUBJECT TO NORMAL MANUFACTURING VARIATIONS.</td> <td></td> <td>SIZE: B</td> <td>TYPE: C-</td> <td>DWG NO: ATM15-6P-BMXX</td> <td>REVISION: A2</td> </tr> <tr> <td>NEXT ASSY:</td> <td colspan="2"></td> <td></td> <td>SCALE: NONE</td> <td colspan="2"></td> <td>SHEET 1 OF 1</td> </tr> </tbody> </table>							QUANTITY	MATERIALS LIST			UNLESS OTHERWISE SPECIFIED	SIGNATURES		DATE	<p>Sine Systems - www.amphenol-sine.com 44724 Morley Drive Clinton Township, MI 48036</p>			1) All dimensions are in metric (mm).	DRAWN: SULLENZHANG	15JUN18	2) Tolerances are as follows:	CHECKED: ORIONLI	15JUN18	1 PL DEC ±0.30 Fractions ±1/64 2 PL DEC ±0.15 Angles ±1° 3 PL DEC ±0.08	ENGINEER:		3) Note reference =	APPROVAL: TOMMYXIE	15JUN18		MATERIAL SPECIFICATIONS:	CUSTOMER:			BOARDLOCK PCB MOUNT RECEPTACLE, 6 PIN, STRAIGHT FLANGE, ATM SERIES			PROCESS SPECIFICATIONS:	THIS DRAWING IS SUPPLIED FOR INFORMATION ONLY. DESIGN FEATURES, SPECIFICATIONS AND PERFORMANCE DATA SHOWN HEREON ARE THE PROPERTY OF THE AMPHENOL CORPORATION. NO RIGHTS OF REPRODUCTION ARE IMPLIED. ALL DIMENSIONS ARE SUBJECT TO NORMAL MANUFACTURING VARIATIONS.			SIZE: B	TYPE: C-	DWG NO: ATM15-6P-BMXX	REVISION: A2	NEXT ASSY:				SCALE: NONE			SHEET 1 OF 1
QUANTITY	MATERIALS LIST																																																				
UNLESS OTHERWISE SPECIFIED	SIGNATURES		DATE	<p>Sine Systems - www.amphenol-sine.com 44724 Morley Drive Clinton Township, MI 48036</p>																																																	
1) All dimensions are in metric (mm).	DRAWN: SULLENZHANG	15JUN18																																																			
2) Tolerances are as follows:	CHECKED: ORIONLI	15JUN18																																																			
1 PL DEC ±0.30 Fractions ±1/64 2 PL DEC ±0.15 Angles ±1° 3 PL DEC ±0.08	ENGINEER:																																																				
3) Note reference =	APPROVAL: TOMMYXIE	15JUN18																																																			
MATERIAL SPECIFICATIONS:	CUSTOMER:			BOARDLOCK PCB MOUNT RECEPTACLE, 6 PIN, STRAIGHT FLANGE, ATM SERIES																																																	
PROCESS SPECIFICATIONS:	THIS DRAWING IS SUPPLIED FOR INFORMATION ONLY. DESIGN FEATURES, SPECIFICATIONS AND PERFORMANCE DATA SHOWN HEREON ARE THE PROPERTY OF THE AMPHENOL CORPORATION. NO RIGHTS OF REPRODUCTION ARE IMPLIED. ALL DIMENSIONS ARE SUBJECT TO NORMAL MANUFACTURING VARIATIONS.			SIZE: B	TYPE: C-	DWG NO: ATM15-6P-BMXX	REVISION: A2																																														
NEXT ASSY:				SCALE: NONE			SHEET 1 OF 1																																														

TITLE: PCB MOUNT RECEPTACLE, 6PIN, STRAIGHT FLANGE, ATM SERIES
DWG NO: ATM15-6P-BMXX
REV: A2
SH: 1
OF: 1