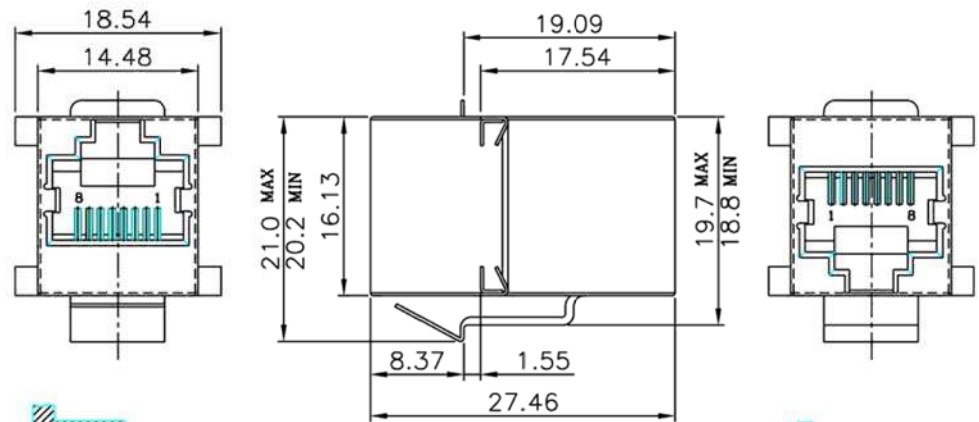
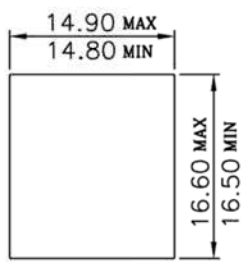
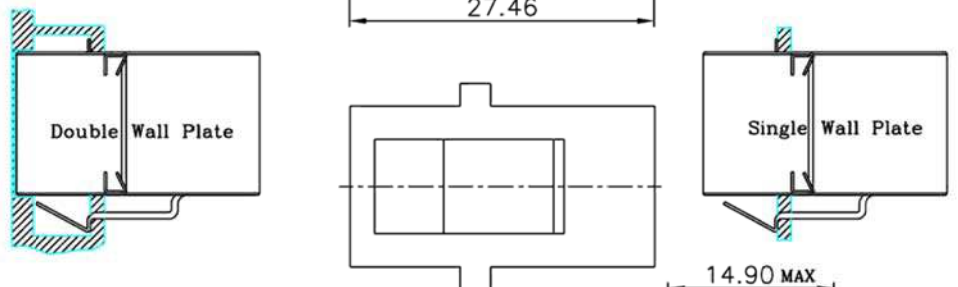


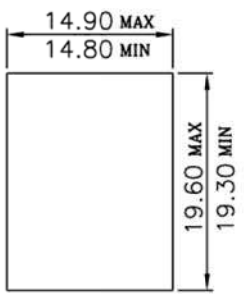
used for:



MATERIALS:
SHIELDED: STAINLESS STEEL.
PLASTIC HOUSING: ENGINEERING THERMOPLASTIC
FLAMMABILITY RATING UL 94V-0.
CONTACTS: 0.35MM THICKNESS PHOSPHOR BRONZE
PLATING: GOLD PLATING OVER NICKEL IN CONTACT.



**Front Panel Jack Only Clearance
W/O Latch Feature**



**Single Panel-Latch Clearance
Panel Thickness 0.062 inch**

THIS DRAWING MAY NOT BE COPIED OR REPRODUCED
 IN ANY WAY, AND MAY NOT BE PASSED ON TO A THIRD
 PARTY WITHOUT WRITTEN PERMISSION.
 OWNERSHIP AND COPYRIGHT OF CONEC CORPORATION
DO NOT ALTER CAD DRAWING BY HAND

CONEC CORPORATION Brampton, Ontario			tolerance unless otherwise specified Decimat: .xx ±0.3 Angles: °		scale:
2005	date	name	2005	date	name
	draw.	May. 03		appd.	Vincent Ke
	norm			d-old	
rev.	description	date	name		

material:		title: Modular Coupler Jack 8p8c Shielded
drawing no.:		
part no.:		AutoCAD 2004 C0505R02A 33TS3101S-88N

AutoCAD 2004	DIN A3 sheet 1/1
--------------	---------------------------