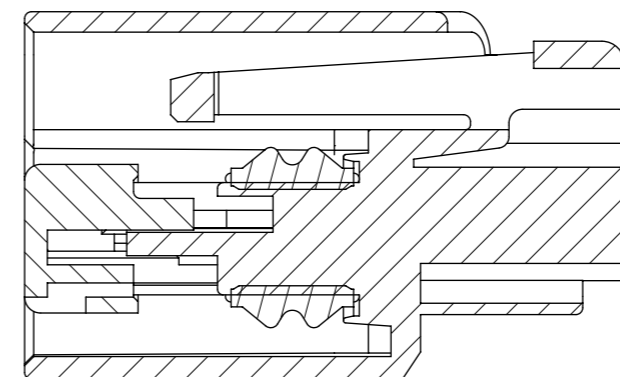
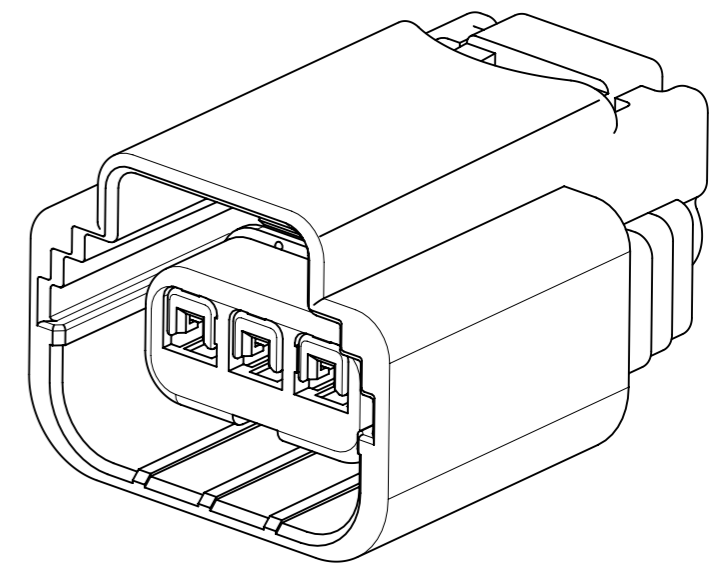
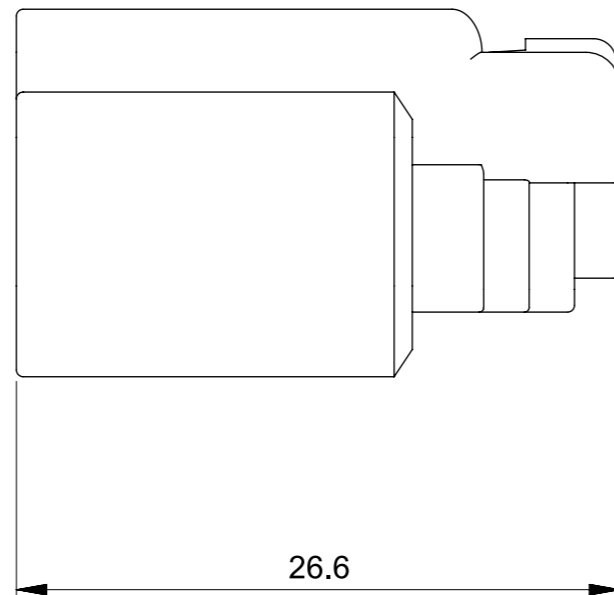
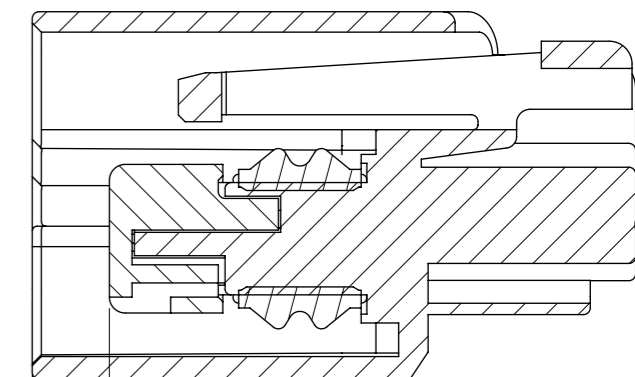


REC HOUSING  
REC TPA  
RING SEAL



SECTION A-A  
TPA IN PRIMARY LOCK POSITION



SECTION A-A  
TPA IN FINAL LOCK POSITION

**NOTES**

1. 適合ターミナル : 2018615000
2. 使用材料  
REC HOUSING : PBT, BLACK  
REC TPA : PBT, NATURAL  
RING SEAL : シリコーン, RED

1. APPLICABLE TERMINAL : 2018615000
2. MATERIAL  
REC HOUSING : PBT, BLACK  
REC TPA : PBT, NATURAL  
RING SEAL : SILICONE, RED

28.3	2024830051	1	5
24.5	2024830041		4
20.7	2024830031		3
A	ORDER NO.	ROW	CKT

FUNCTIONAL SYMBOLS	THIS DRAWING CONTAINS INFORMATION THAT IS PROPRIETARY TO MOLEX ELECTRONIC TECHNOLOGIES, LLC AND SHOULD NOT BE USED WITHOUT WRITTEN PERMISSION		CURRENT REV DESC:							
	▽A = 0	mm							NTS	
DIVISIONAL SYMBOLS	GENERAL TOLERANCES (UNLESS SPECIFIED)		PHASE: Design Production		Mizu-P38 TPA REC ASSY PRODUCT SALES DRAWING					
	▽E = 0	ANGULAR TOL ± 3.0°		CO NO: CO-000001319						
DIVISIONAL SYMBOLS	4 PLACES	± 0.20000	DRWN: Hideo Yoneyama		2022-08-10					
	3 PLACES	± 0.2000	CHK'D: Takashi Iida		2022-08-15					
	2 PLACES	± 0.200	APPR: Takashi Iida		2022-08-22					
	1 PLACE	± 0.20	INITIAL REVISION:		DOCUMENT NUMBER					
0 PLACES	± 0.20	DRWN: Hideo Yoneyama		2021-12-17		2022-02-14		2024830001		
DRAFT WHERE APPLICABLE MUST REMAIN WITHIN DIMENSIONS		THIRD ANGLE PROJECTION		DRAWING	SERIES	MATERIAL NUMBER	CUSTOMER	DOC TYPE	DOC PART	REVISION
				A3-SIZE	202483		GENERAL	PSD	000	A1
										SHEET NUMBER
										1 OF 1