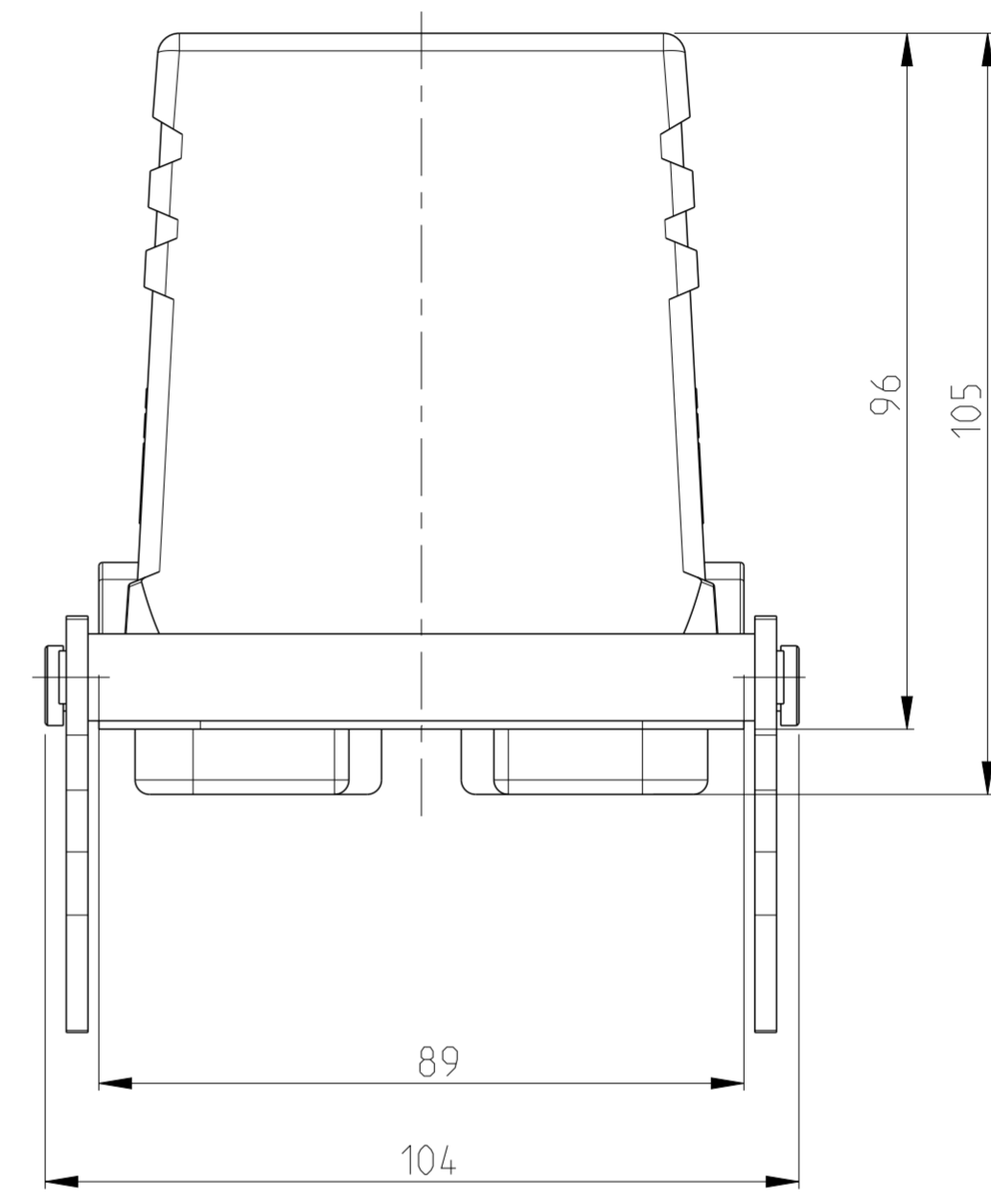
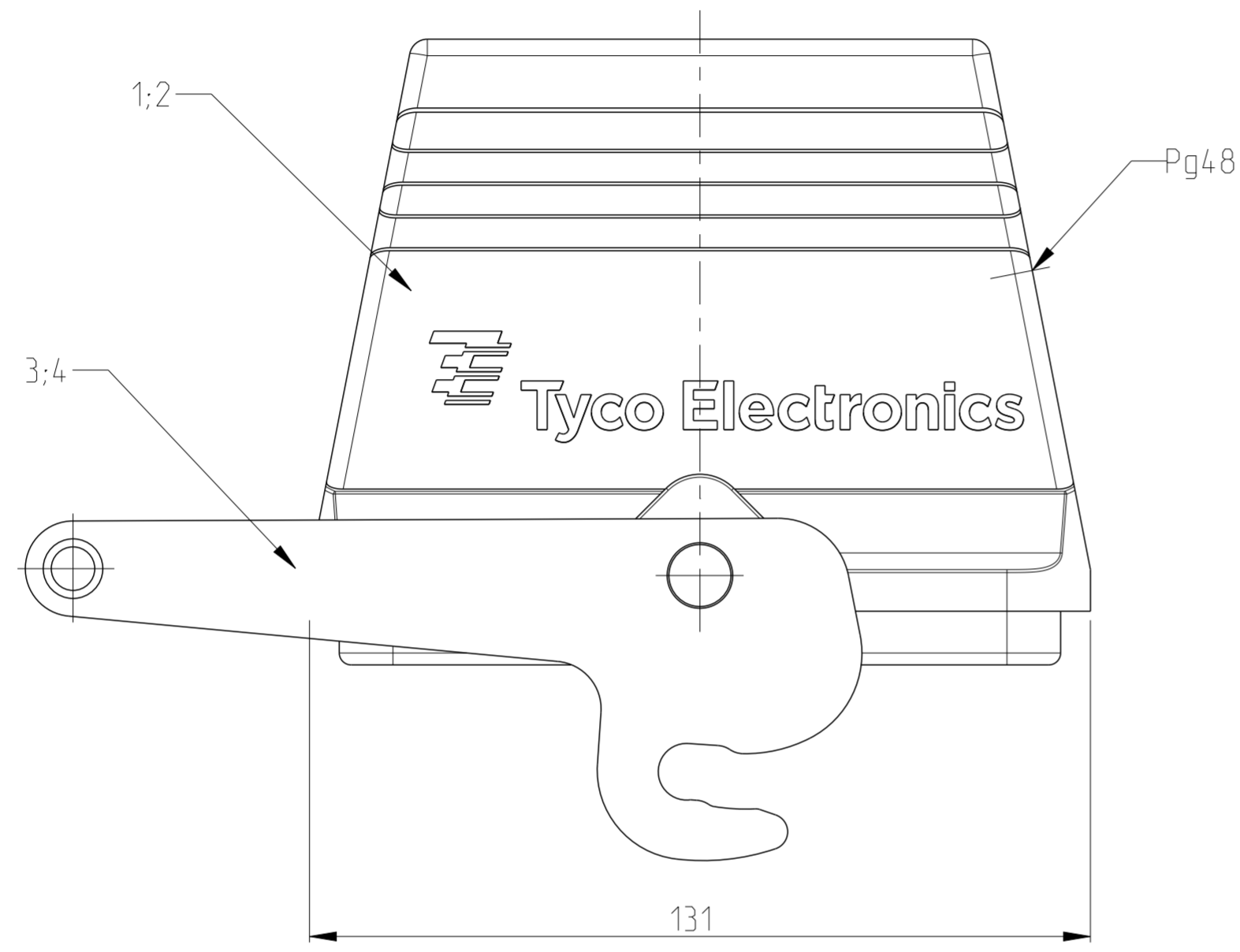


THIS DRAWING IS UNPUBLISHED. RELEASED FOR PUBLICATION 2006
 © COPYRIGHT 2006 BY - ALL RIGHTS RESERVED.

REVISIONS					
P	LTR	DESCRIPTION	DATE	DWN	APVD
A2		DRAWING reworked	20AUG2007	SR	SM
A4		NEW PRO/E DRAWING ECR-07-021681	15JAN2008	SR	ST
A5		REVISED PER ECR-17-013084	05JAN2018	NC	MKO



NOTES

- 1 MATERIAL: HOUSING - ALUMINIUM DIECASTING ALLOY
- 2 SURFACE: VARNISH BLACK
- GREY
- 3 PACKAGING: QUANTITY 3 PIECES IN A BOX
- 4 VARNISHING INSIDE HOUSING NOT REQUIRED

OBSOLETE

2	2	FIXING RIVET	STAINLESS STEEL	BLANK		4
1	1	CENTRAL CLIP	STAINLESS STEEL	BLANK		3
1		HOOD HB	ALUMINIUM/ALU	ALUMINIUM OXID	BLACK	2
1		HOOD HB	ALUMINIUM/ALU		GREY	1
2-3	1-3	DESCRIPTION	MATERIAL	SURFACE	COLOR	ITEM
HB-Z.48.STS-ZB.1.48.G						
HB-K/Z.48.STS-ZB.1.48.G						

THIS DRAWING IS A CONTROLLED DOCUMENT.		DWN R.SCHNEIDER 17AUG2007	TE Connectivity			
DIMENSIONS: mm		CHK SCHNURPFELI 17AUG2007				
TOLERANCES UNLESS OTHERWISE SPECIFIED:		APVD -	NAME HOOD HB-Z.48.STS-ZB.1.48.G			
0 PLC ±		PRODUCT SPEC -	SIZE A2			
1 PLC ±		APPLICATION SPEC -	CAGE CODE 100779			
2 PLC ±		WEIGHT -	DRAWING NO C-1102236			
3 PLC ±		MATERIAL material_2	RESTRICTED TO A5			
4 PLC ±		FINISH finish_spec_2	SCALE 5:1			
ANGLES ±°		CUSTOMER DRAWING		SHEET 1 OF 1		REV A5