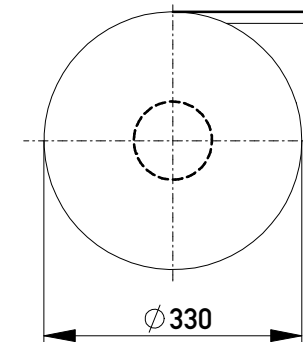
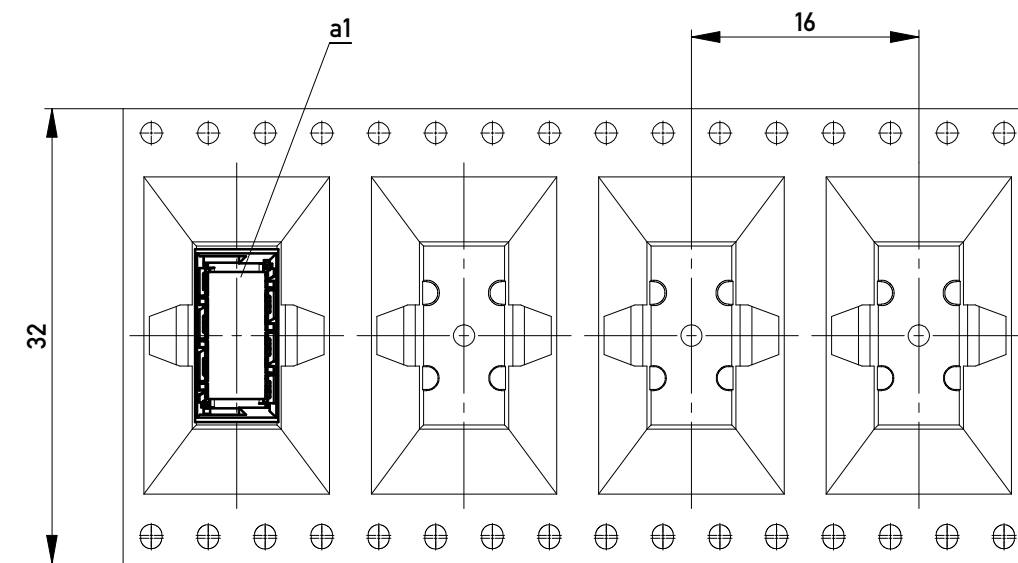


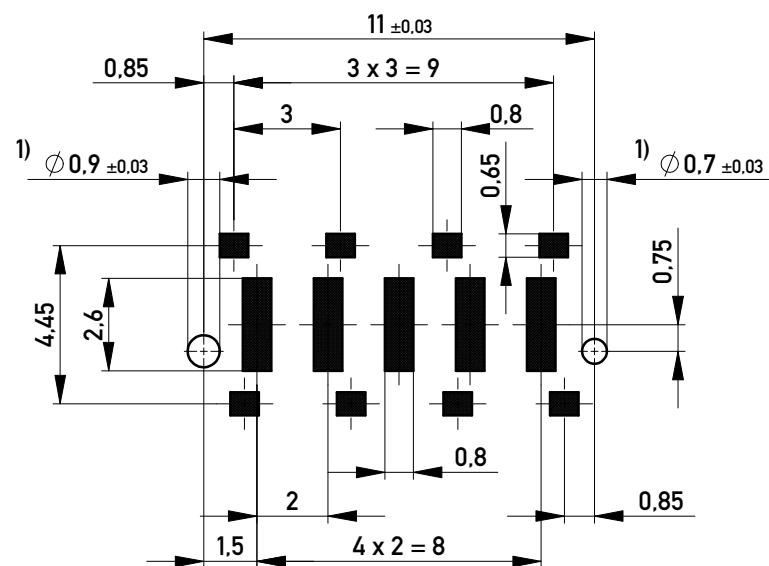
Verpackt im Gurt nach DIN IEC 60286-3  
 Tape on Reel Packaging according to DIN IEC 60286-3  
 Verpackungseinheit: 220 Stück  
 Packaging unit: 220 pcs



Abspulrichtung - Reel off Direction



Leiterplatten-Layout Vorschlag / PCB-layout proposal



1) Durchmesser des Bohrers / drill tool

Anforderungsstufe 1  
 Performance Level 1

Kontaktbereich vergoldet  
 Mating Area gold plating

Anschlussbereich verzinkt 4-6 µm  
 Terminal Area 4-6 µm tin plating

Koplanarität der Anschlüsse ≤ 0,1 mm  
 Coplanarity Area of Termination ≤ 0,1 mm

|   |  |                          |  |     |
|---|--|--------------------------|--|-----|
| Information:  | Tolerances   | <br>All Dimensions in mm | Scale  | 5:1 |
|   | All rights reserved.<br>Only for Information.<br>To ensure that this is the latest version of this drawing, please contact one of the ERNI companies before using. |                          | Designation<br><b>Messerleiste SMD, Powerm. 10mm</b><br><b>Male Con. SMD, Powerm. 10mm</b> |     |
| Subject to modification without prior notice.<br>Drawing will not be updated. |  | <br>www.ERNI.com         | <b>214552</b>  |     |
| l   | 07.02.2014   |                          | Class MSPEED   |     |
| Index   | Date   | i<br>A3                  |  |     |

Copyright by ERNI GmbH  
 Proprietary notice pursuant to ISO 16016 to be observed.