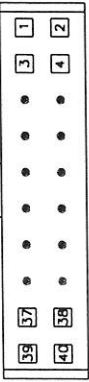


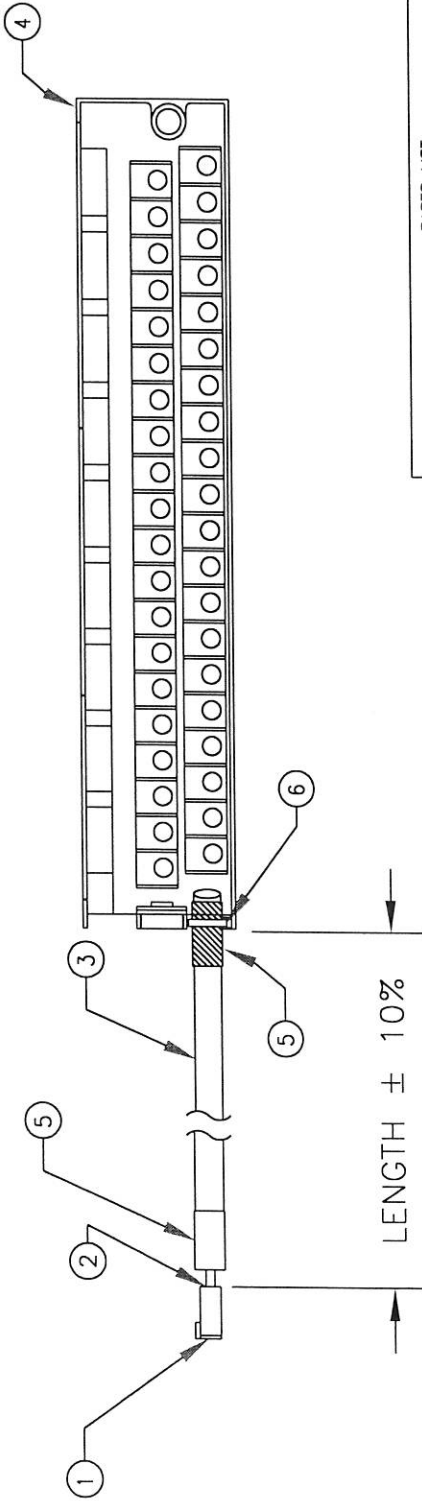
REVISIONS		CMPLT. BY	APPRV.
REV.	DESCRIPTION	DATE	

GE TERMINAL BLOCK PIN NUMBERS

2	1
4	3
6	5
8	7
10	9
12	11
14	13
16	15
18	17
20	19
22	21
24	23
26	25
28	27
30	29
32	31
34	33
36	35
38	37
40	39



CRIMP AND POKE CONNECTOR
PIN NUMBERS
(WIRE INSERTION SIDE)



NOTES:

1. CUT CABLE AND STRIP CONDUCTORS AS REQUIRED TO ACHIEVE LENGTH SPECIFIED IN TABLE.
2. CUT UNUSED WIRE ENDS BACK TO THE JACKET BEFORE HEATING SHRINK TUBING.

PARTS LIST

BUB. #	DESCRIPTION	QTY.
1	CONNECTOR, 40-PIN, FEMALE	1
2	CRIMP AND POKE TERMINAL	40
3	CABLE, 40-COND, 22AWG	A/R
4	TERMINAL BLOCK, IC697ACC700	1
5	SHRINK TUBING	100mm
6	TIE WRAP, NYLON, 4"	6

CATALOG NO.	LENGTH (m)
998116	0.5
998117	1.0
998118	1.5
998119	2.0

CAT. NO. VARIOUS
 DRWN BY PSH
 APPROVED *[Signature]*
 REL. DATE 10/15/97

P/N DWG. PROD. INSP. OTHER



CABLE ASSEMBLY
 GE FPA/C 9070-350

TOLERANCE ON :

.X = +/- 0.508 mm
 .XX = +/- 0.254 mm
 .XXX = +/- 0.127 mm
 .XXX = +/- .30"
 UNLESS OTHERWISE SPECIFIED ALL DIMENSIONS ARE IN MILLIMETERS
 () INDICATES REFERENCE DIMENSIONS

PROPRIETARY RIGHTS :

THIS DOCUMENT INCLUDES DESIGN AND CONSTRUCTION INFORMATION THAT IS PROPRIETARY AND CONFIDENTIAL INFORMATION OF WEIDMÜLLER INC. AND THIS DOCUMENT OR ITS CONTENTS MAY NOT BE DISCLOSED TO OTHERS, REPRODUCED, OR TRANSMITTED IN ANY FORM OR BY ANY MEANS, WITHOUT PERMISSION FROM WEIDMÜLLER INC. IN RICHMOND, VIRGINIA.

PRODUCTION RELEASE PAGE 1	SCALE: DO NOT SCALE	SIZE: A	SHEET 1 OF 2	DRAWING NUMBER	REV.
				1100356	0