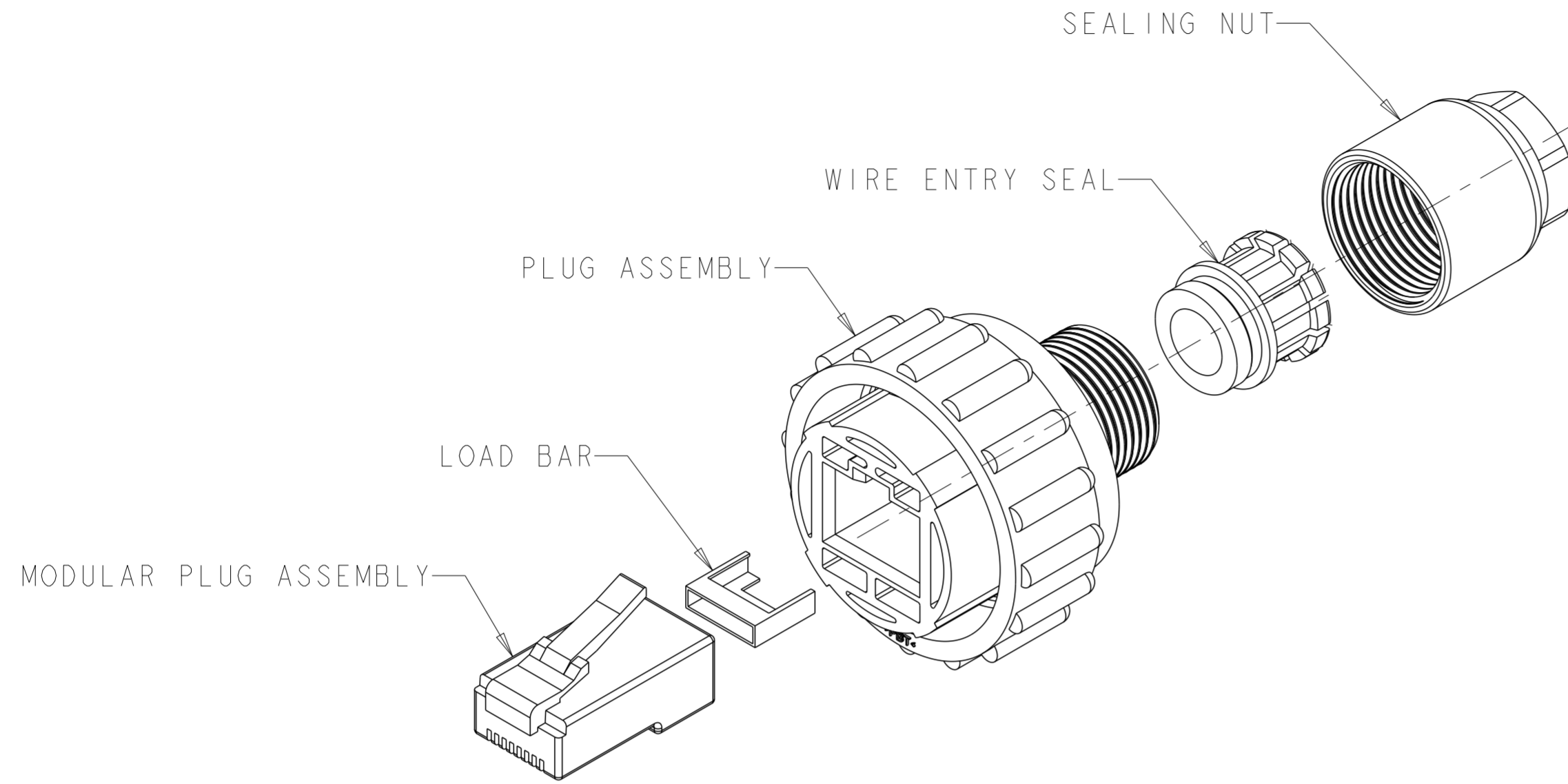
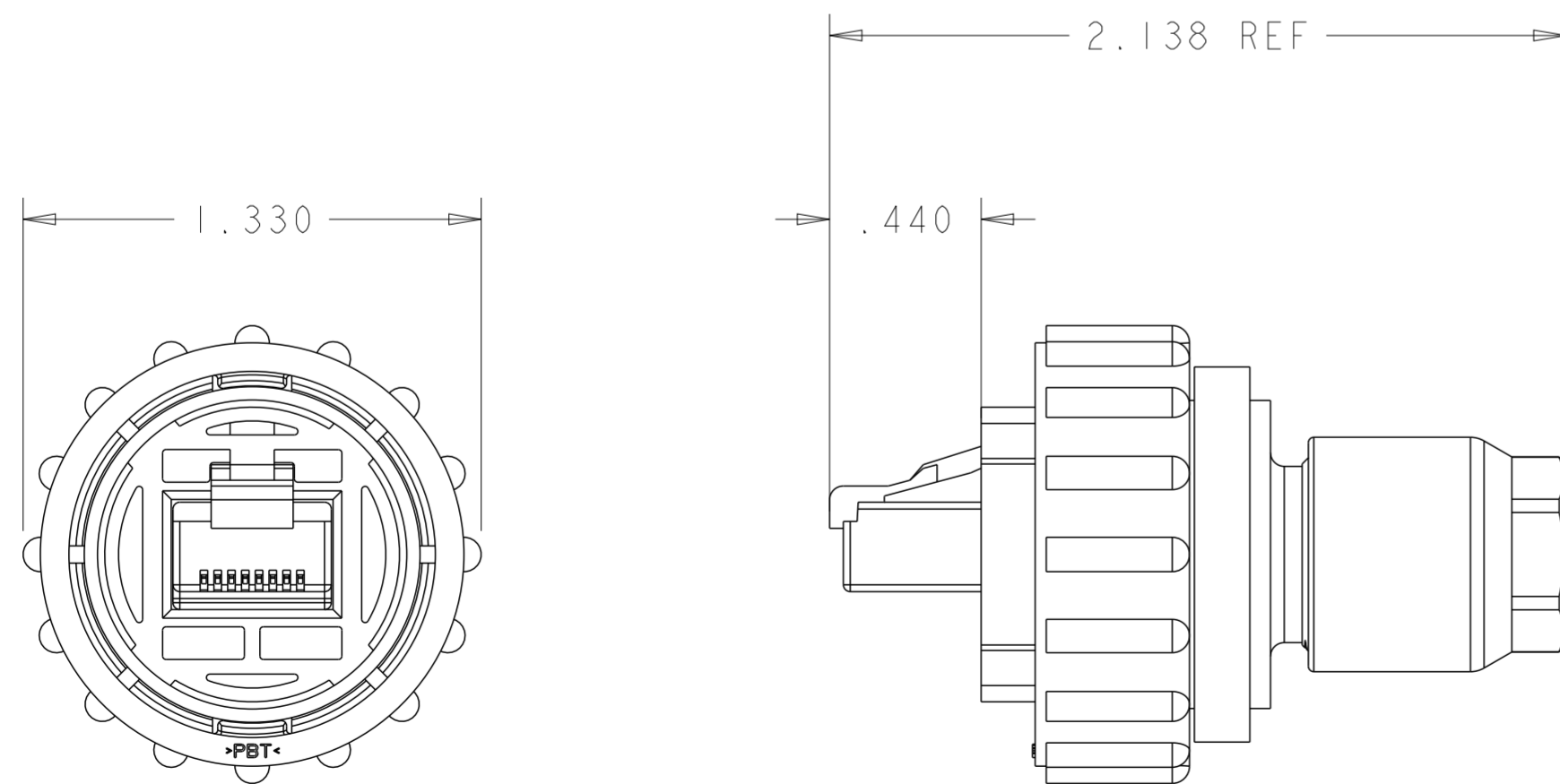


THIS DRAWING IS UNPUBLISHED. RELEASED FOR PUBLICATION 20  
 © COPYRIGHT 20 BY - ALL RIGHTS RESERVED.


REVISIONS				
P	LTR	DESCRIPTION	DATE	APVD
C		REVISED PER ECO-14-010700	28OCT2014	NK MB



- 1 PARTS PACKAGED UNASSEMBLED.
- 2 CABLE DIAMETER RANGE: .180[4.6]-.236[6.0].



ASSEMBLED VIEW

THIS DRAWING IS A CONTROLLED DOCUMENT.		DWN S. WELDON 08MAR2004	 TE Connectivity			
DIMENSIONS: INCHES		CHK H. WAKEEM 08MAR2004				
TOLERANCES UNLESS OTHERWISE SPECIFIED:		APVD H. WAKEEM 08MAR2004				
0 PLC ± 1 PLC ±0.1 2 PLC ±0.02 3 PLC ±0.005 4 PLC ±0.0005 ANGLES ± FINISH -		NAME PLUG KIT, UNASSEMBLED, UNSHIELDED, CPC INDUSTRIAL ETHERNET				
MATERIAL	-	PRODUCT SPEC	SIZE	CAGE CODE	DRAWING NO	RESTRICTED TO
		APPLICATION SPEC	A2	00779	C-1546876	-
		WEIGHT	SCALE	2:1	SHEET	OF
		CUSTOMER DRAWING			1	REV C