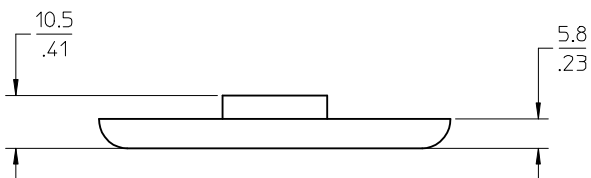


10 9 8 7 6 5 4 3 2 1



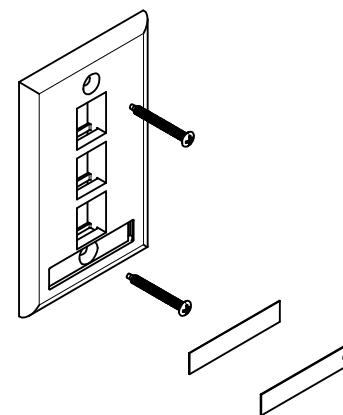
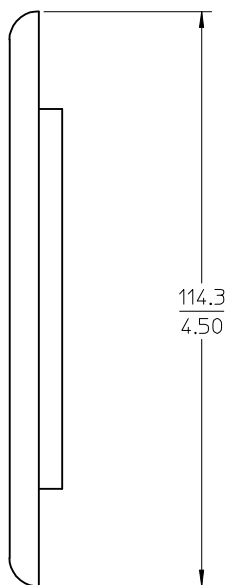
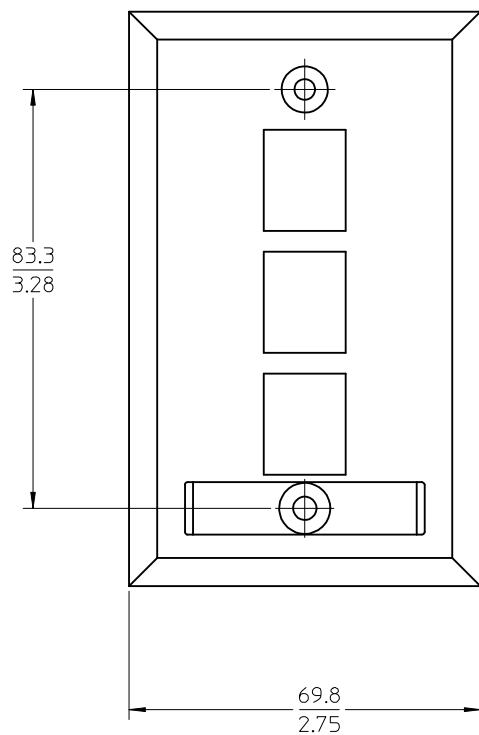
NOTES:

A) MATERIAL:

- 1) WALL PLATE: ACRYLONITRILE-BUTADIENE-STYRENE (ABS)
- 2) LABEL HOLDER : POLYVINYL CHLORIDE (PVC).

B) PACKAGING:

WALL PLATE, SCREWS (QTY 2), LABEL (QTY 1), LABEL HOLDER (QTY 1) AND INSTRUCTION SHEET ARE INDIVIDUALLY PACKED IN A BAG. 10 SUCH BAGS ARE PACKED IN A MASTER BAG.



ISO VIEW  
SCALE 1:2

PART NUMBER CHART		
MPN NUMBER	SAP NUMBER	COLOR
WPJ-00009-01	184000541	ALMOND
WPJ-00009-02	184000542	WHITE
WPJ-00009-04	180400274	BLACK
WPJ-00009-05	184000543	IVORY
WPJ-00009-08	181280003	GREY

ENTER DESCRIPTION EC NO: MT S2009-0155 DRWN:PS03 CHKD:JKUMAR APPR:JKUMAR	2009/10/01 2009/10/01 2009/10/01	DESCRIPTION REV	QUALITY SYMBOLS	GENERAL TOLERANCES (UNLESS SPECIFIED)	DIMENSION STYLE	SCALE	DESIGN UNITS	THIRD ANGLE PROJECTION		
			$\nabla=0$ $\square=0$	mm      INCH 4 PLACES ± --- ± --- 3 PLACES ± --- ± --- 2 PLACES ± --- ± .020 1 PLACE ± 0.51 ± --- ANGULAR ± ---°	MM/IN	1:1	METRIC	DRAWN BY      DATE HPRAKASH      2006/06/19 CHECKED BY      DATE JKUMAR      2006/06/19 APPROVED BY      DATE JKUMAR      2006/06/19	TITLE	STREAMLINE WALL PLATE, 3 PORT
			DRAFT WHERE APPLICABLE MUST REMAIN WITHIN DIMENSIONS	SEE CHART	MATERIAL NO.	DOCUMENT NO.	SHEET NO.			
			SIZE A3	THIS DRAWING CONTAINS INFORMATION THAT IS PROPRIETARY TO MOLEX INCORPORATED AND SHOULD NOT BE USED WITHOUT WRITTEN PERMISSION		SD-18400-051	1 OF 1			

9 8 7 6 5 4 3 2 1