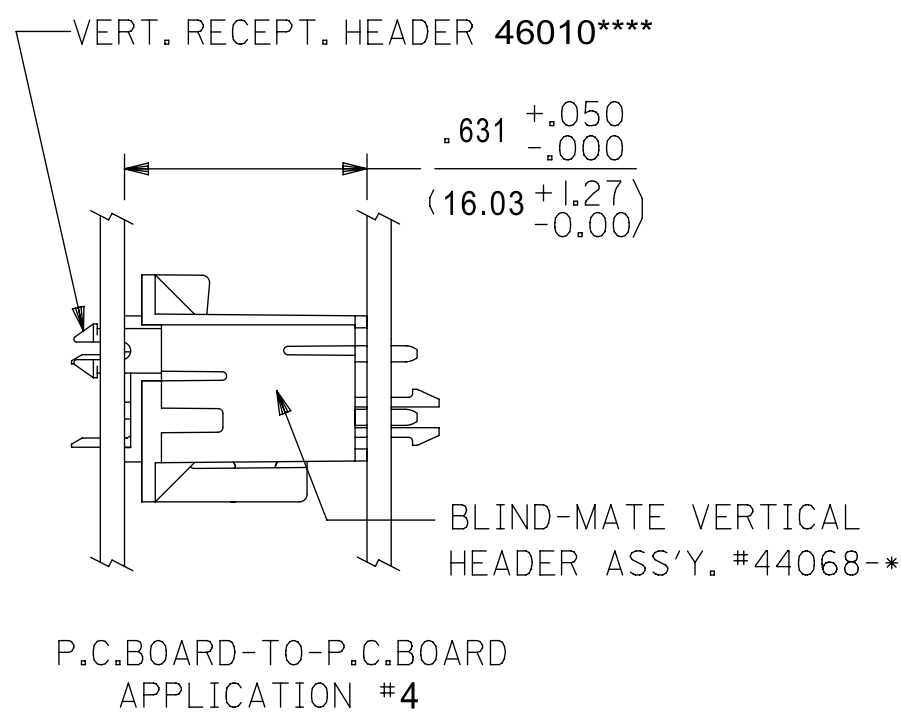
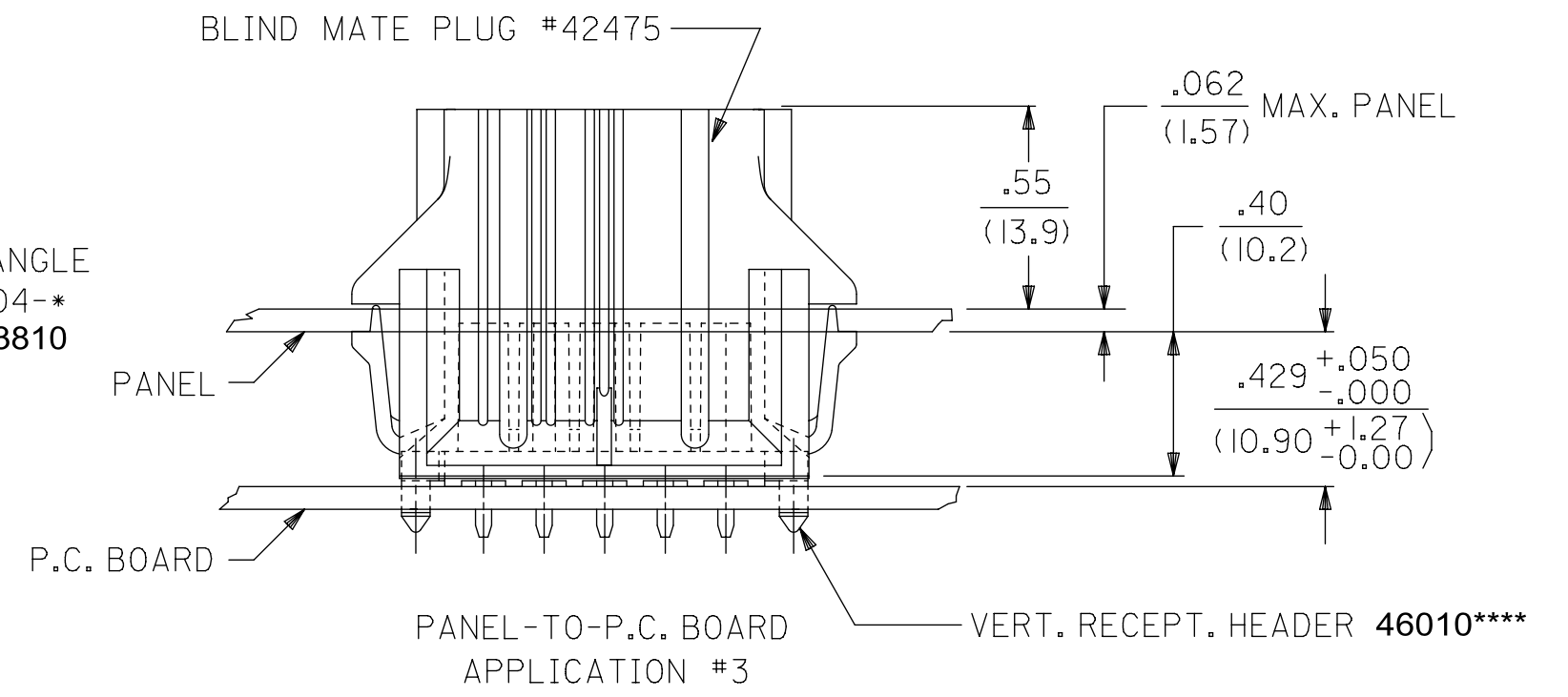
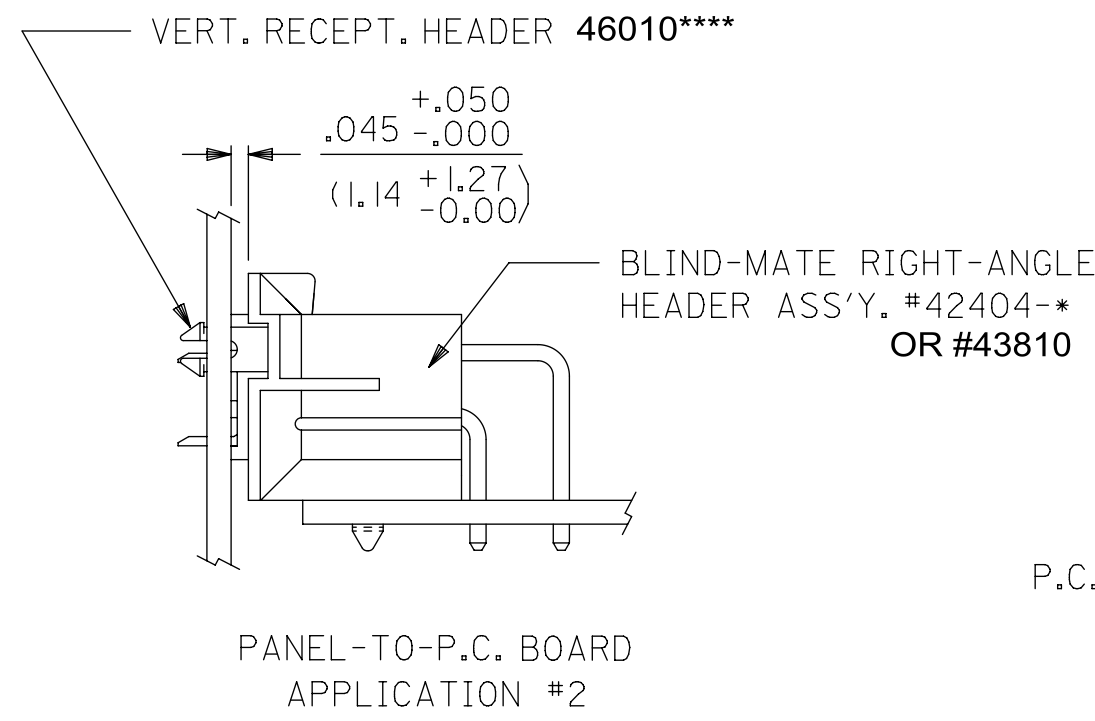
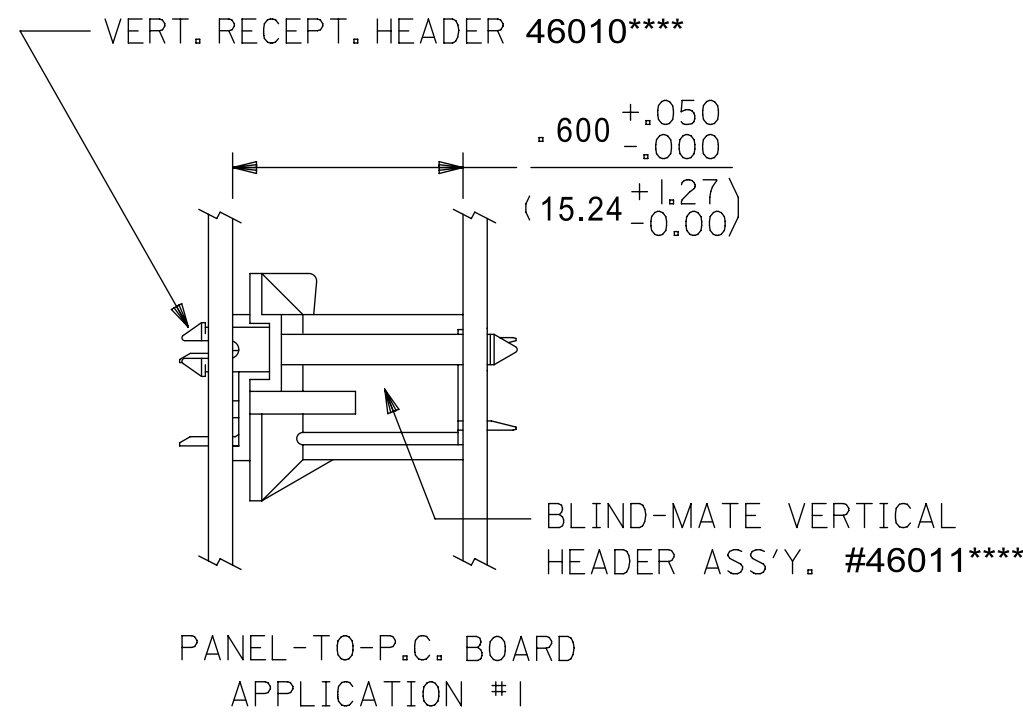


ALIGNMENT TOLERANCES FOR .100 MAX. BOARD-TO-BOARD MISALIGNMENT

(NO CONNECTOR FLOAT)



QUALITY SYMBOLS 	THIS DRAWING CONTAINS INFORMATION THAT IS PROPRIETARY TO MOLEX ELECTRONIC TECHNOLOGIES, LLC AND SHOULD NOT BE USED WITHOUT WRITTEN PERMISSION														
	CONVERT TO NX EC NO: 105751 DRWN: CSLAFTR CHKD: JBELL REV / APPR: FSMTH	GENERAL TOLERANCES (UNLESS SPECIFIED)				DIMENSION UNITS IN/MM		SCALE 4:1							
		MM		INCH		DRWN BY		DATE							
		4 PLACES ±		±		TGREGORI		2005/08/30		VERTICAL RECEPTACLE HEADER ASSEMBLY, BMI MINI-FIT PLUS HCS SERIES					
		3 PLACES ±		± 0.01		CHK'D BY		DATE							
		2 PLACES ±		± 0.25 ± 0.015		JCOMERCI		DATE							
	1 PLACES ±		± 0.38 ±		APPR BY		DATE		PRODUCT CUSTOMER DRAWING						
	0 PLACES ±		±		JCOMERIC		DATE								
	ANGULAR TOL ± 0.5				DRAWING SIZE		THIRD ANGLE PROJECTION		SERIES		MATERIAL NUMBER		CUSTOMER		
	DRAFT WHERE APPLICABLE MUST REMAIN WITHIN DIMENSIONS				C				46010		SEE SHEET 3		GENERAL MARKET		
								DOCUMENT NUMBER		DOC TYPE		DOC PART		SHEET NUMBER	
								SD-46010-001		PSD		000		2 OF 3	

12		11		10		9		8		7	
ITEM NUMBER		CKT. SIZE	HOUSING MATERIAL	PLATING (SEE NOTE 2)		ITEM NUMBER		CKT. SIZE	HOUSING MATERIAL	PLATING (SEE NOTE 2)	
*	460100211	2	94V-2	1		*	460100222	2	94V-0	2	
	↑ 0411	4	↑	↑			↑ 0422	4	↑	↑	
	0611	6					0622	6			
*	0811	8				*	0822	8			
	1011	10					1022	10			
*	1211	12				*	1222	12			
	1411	14					1422	14			
	1611	16					1622	16			
	1811	18					1822	18			
*	2011	20				*	2022	20			
*	2211	22	↓	↓		*	2222	22	↓	↓	
	460102411	24	94V-2	1			460102422	24	94V-0	2	
*	460100221	2	94V-0	1		*	460100212	2	94V-2	2	
	↑ 0421	4	↑	↑			↑ 0412	4	↑	↑	
	0621	6					0612	6			
*	0821	8				*	0812	8			
	1021	10					1012	10			
*	1221	12				*	1212	12			
	1421	14					1412	14			
	1621	16					1612	16			
	1821	18					1812	18			
*	2021	20				*	2012	20			
*	2221	22	↓	↓		*	2212	22	↓	↓	
	460102421	24	94V-0	1			460102412	24	94V-2	2	

* CONSULT FACTORY FOR AVAILABILITY

QUALITY SYMBOLS 	THIS DRAWING CONTAINS INFORMATION THAT IS PROPRIETARY TO MOLEX ELECTRONIC TECHNOLOGIES, LLC AND SHOULD NOT BE USED WITHOUT WRITTEN PERMISSION												
	CONVERT TO NX EC NO: 105751 DRWN: CSLAFTER CHKD: JBELL REV APPR: FSMITH	GENERAL TOLERANCES (UNLESS SPECIFIED)				DIMENSION UNITS IN/MM		SCALE 4:1					
		MM		INCH		DRWN BY		DATE					
		4 PLACES ±		±		TGREGORI		2005/08/30					
		3 PLACES ±		± 0.01		CHK'D BY		DATE					
		2 PLACES ± 0.25		± 0.015		JCOMERCI							
	1 PLACES ± 0.38		±		APPR BY		DATE						
	0 PLACES ±		±		JCOMERIC								
	ANGULAR TOL ± 0.5				DRAWING SIZE		THIRD ANGLE PROJECTION		PRODUCT CUSTOMER DRAWING SERIES: 46010 MATERIAL NUMBER: SEE SHEET 3 CUSTOMER: GENERAL MARKET DOCUMENT NUMBER: SD-46010-001 DOC TYPE: PSD DOC PART: 000 SHEET NUMBER: 3 OF 3				
	DRAFT WHERE APPLICABLE MUST REMAIN WITHIN DIMENSIONS				C								