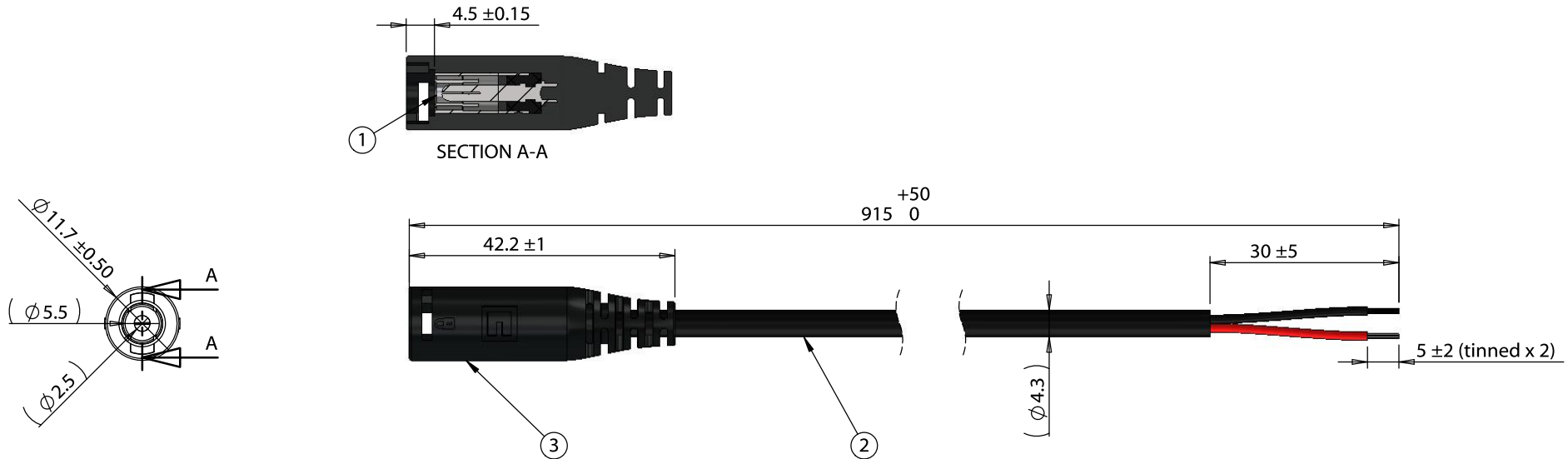


ITEM NO.	PART NUMBER	DESCRIPTION	QTY.	COMPONENT NOTES
1	50-00153	Connector, dc jack, 5.5x2.5xH6.5xL19.5 mm, molding style,	1	
2	30-00689	Wire, 2C TS, 22 AWG, UL2464, 300V, 80C, 4.3 mm, VW-1, PVC	1	
3	24-00162	Overmold, dc jack, twistlock, PVC	1	black



Notes:

Designed to mate with cable assembly: 10-02937

Functionally equivalent components may be substituted

Wiring Diagram	
50-00153	wire color
center	red
sleeve	black

Revision:	Date:	Description:	Prepared:	Notes:	<h1>TENSILITY</h1> tel 1.541.323.3228 800 877.670.7118 fax 1.541.323.4202 web tensility.com
A	9/19/2018	Initial release	AW <small>Digitally signed by AW Date: 2018.09.19 09:20:27 -07'00'</small>		
			Verified:	Function test: no open, no short circuit, no intermittent	Size: Part number:
			JP <small>Digitally signed by JP Date: 2018.09.19 16:51:04 -07'00'</small>	Description:	A 10-02938
			Dimensions are in millimeters. Tolerances: X: ± 0.5 mm X.X: ± 0.3 mm X.XX: ± 0.05 mm	Cable, 915 mm, 5.5x2.5 mm 50-00153 dc jack twist lock to 10 mm tinned, 22 AWG, UL2464	Scale: 1:1
					Sheet 1 of 1

5

4

3

2

1