

A = 1.00 * No. of Spaces

B = A + 8.0

C = A + 2.1

* Available in 4 through 32 circuits

Material :

* Body : High Temperature plastic UL94V-0

△* Slider : High Temperature plastic UL94V-0
Color Black

* Contact : Copper Alloy

* Fixed tab : Copper Alloy with Tin plated

Ordering Code

CF07 ** * U 0 * 0 -NH
① ② ③ ④ ⑤ ⑥ ⑦ ⑧

① Series No.

② No. of Circuits

③ Plating code:

1= Tin plated over Nickel

2= Gold flash plated over Nickel

④ Contact style: U= Upside Contact

⑤ Color: 0= Nature

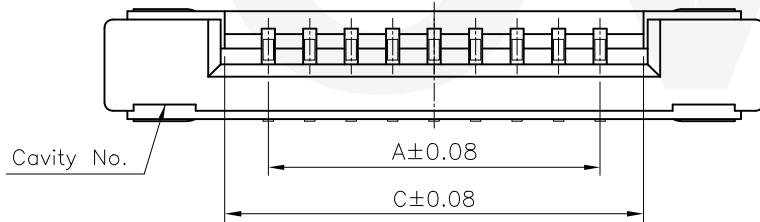
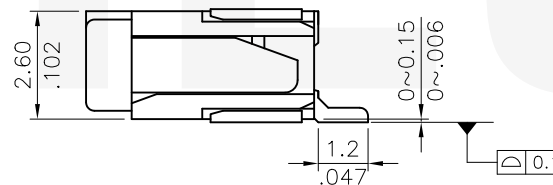
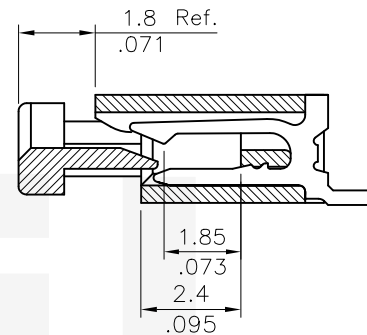
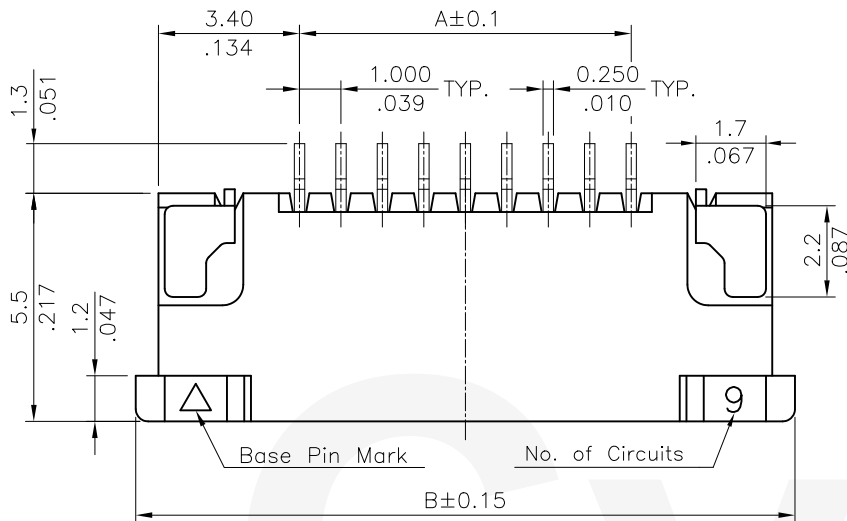
⑥ Packing options: R= Tape & Reel

T= Tube Packing

⑦ Other options: 0= Standard

⑧ Other options:


-NH= For Lead Free IR Processes and Halogen-Free



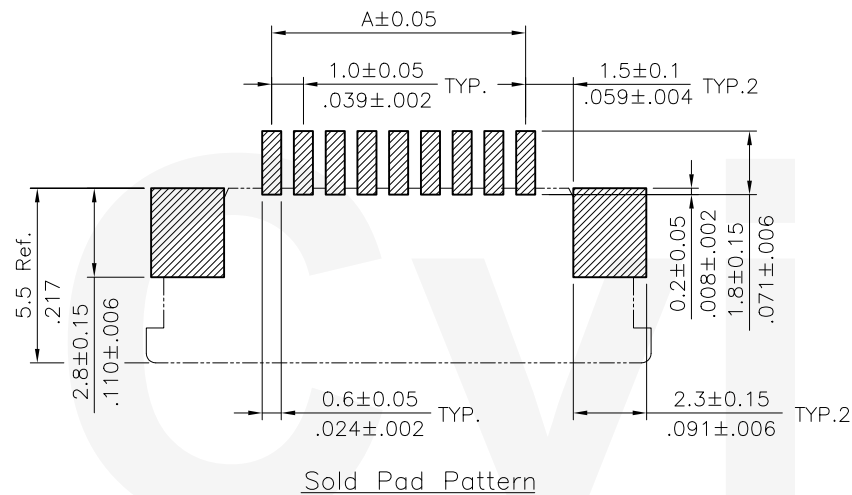
Halogen-Free

Lead Free Process

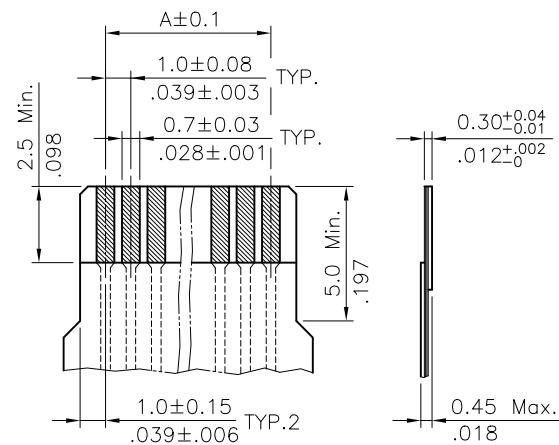
RoHS Compliant

△4					DATE	UNIT: mm / inch	TITLE: 1.00mm(.039") ZIF FPC/FFC UPSIDE CONTACT SURFACE MOUNT CONNECTOR	 瀚荃股份有限公司 CviLux Corporation
△3				DRAWN BY: Enya	10/18-13'	TOLERANCE UNLESS OTHERWISE SPECIFIED	MATERIAL:	
△2	Enya	10/18-13'	ECNT113069	ENGINEER: Sun	10/22-13'	.X ± 0.15/.006 X' ± 1'	FINISH:	DRAWING NO. CF0733SC
△1	Sandy	8/15-11'	ECN11181	CHECKED BY: Eisley	10/24-13'	.XX ± 0.10/.004 X' ±		PART NO. CF07***U0*0-NH
SYM	NAME	DATE	REVISIONS	APPROVED BY: Eisley	10/24-13'	.XXX ± 0.05/.002 XX' ±	SCALE 5 / 1	SHEET 1 OF 3

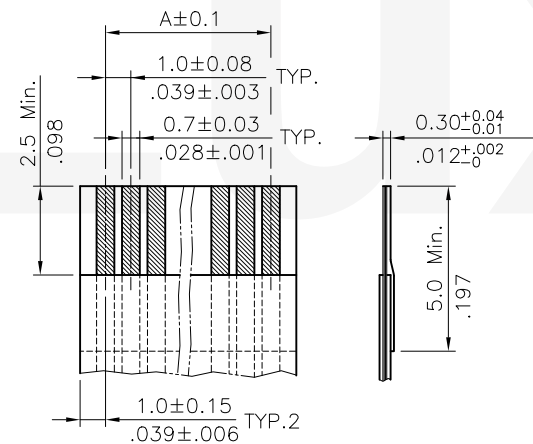

 CIVILUX CORP
 2013.11.07
 ISSUED



Sold Pad Pattern




Accommodated FPC



Accommodated FFC

RoHS Compliant

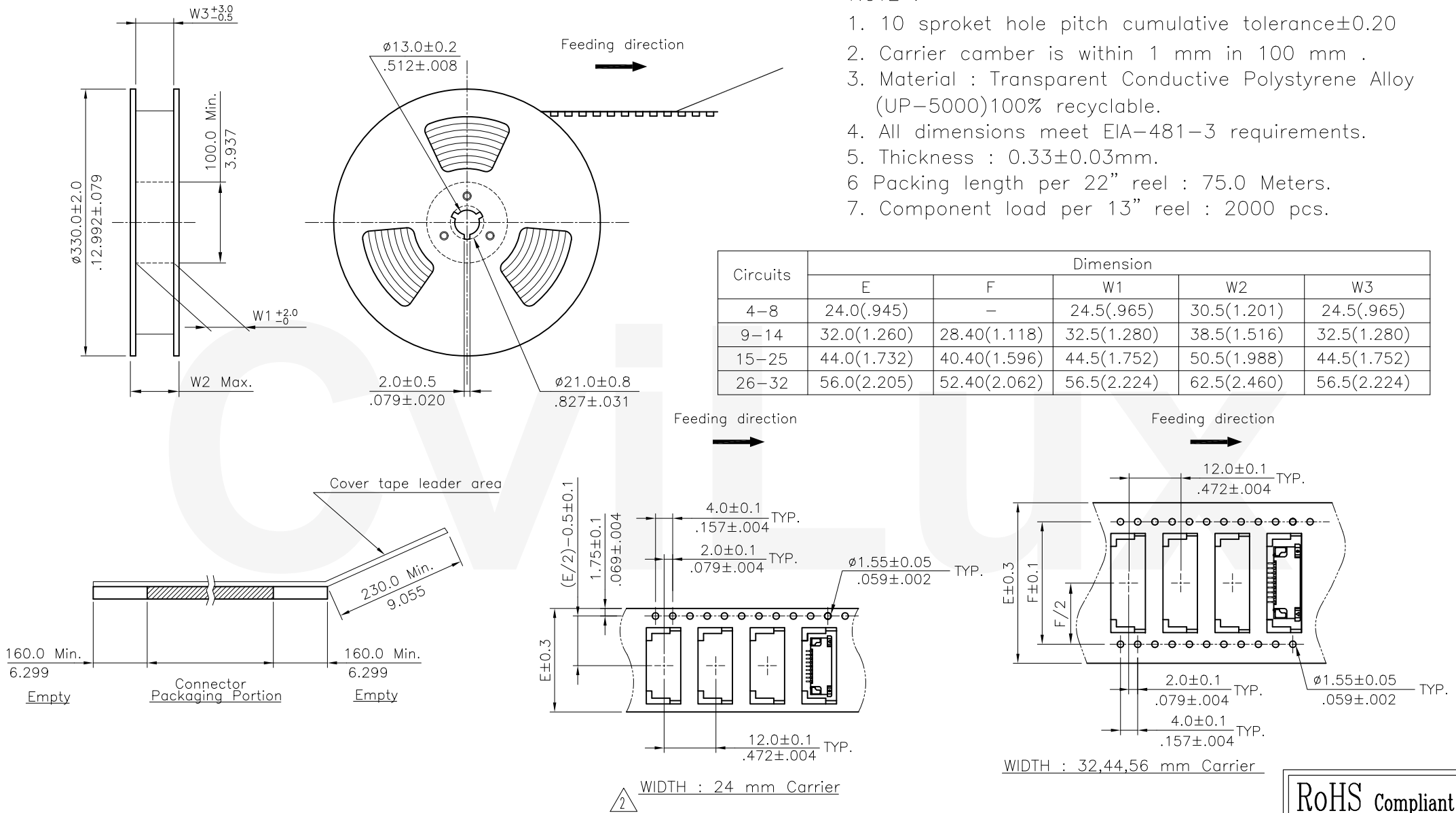
4					DATE	UNIT: mm / inch	TITLE: 1.00mm(.039") ZIF FPC/FFC UPSIDE CONTACT SURFACE MOUNT CONNECTOR	 瀚荃股份有限公司 CviLux Corporation	
3				DRAWN BY: Enya	10/18-13'	TOLERANCE UNLESS OTHERWISE SPECIFIED	MATERIAL:		
2	Enya	10/18-13'	ECNT113069	ENGINEER: Sun	10/22-13'	.X ± 0.15/.006 X' ± 1'	FINISH:	DRAWING NO. CF0733SC	PART NO. CF07***U0*0-NH
1	Sandy	8/15-11'	ECN11181	CHECKED BY: Eisley	10/24-13'	.XX ± 0.10/.004 X' ±		SCALE 5 / 1	SHEET 2 OF 3
SYM	NAME	DATE	REVISIONS	APPROVED BY: Eisley	10/24-13'	.XXX ± 0.05/.002 X' ±			





 2013.11.07
 ISSUED

NOTE :

1. 10 sprocket hole pitch cumulative tolerance ± 0.20
2. Carrier camber is within 1 mm in 100 mm .
3. Material : Transparent Conductive Polystyrene Alloy (UP-5000) 100% recyclable.
4. All dimensions meet EIA-481-3 requirements.
5. Thickness : 0.33 ± 0.03 mm.
6. Packing length per 22" reel : 75.0 Meters.
7. Component load per 13" reel : 2000 pcs.



RoHS Compliant

4					DATE	UNIT: mm / inch	TITLE: 1.00mm(.039") ZIF FPC/FFC UPSIDE CONTACT SURFACE MOUNT CONNECTOR	 瀚荃股份有限公司 CviLux Corporation			
3					DATE	TOLERANCE UNLESS OTHERWISE SPECIFIED	MATERIAL:				
2	Enya	10/18-13'	ECNT113069		DRAWN BY: Enya	10/18-13'	FINISH:	DRAWING NO. CF07033SC	PART NO. CF07***U0*0-NH		
1	Sandy	8/15-11'	ECN11181		ENGINEER: Sun	10/22-13'		.X ±	.X' ± 1'	SCALE	SHEET 3 OF 3
SYM	NAME	DATE	REVISIONS		CHECKED BY: Eisley	10/24-13'		.XX ±	.X ±		
				APPROVED BY: Eisley	10/24-13'	.XXX ±	.XX ±				