



Electrical Specifications

Center Frequency: 7.5 MHz
Bandwidth: 3 MHz
Passband : 6 MHz to 9 MHz
Insertion Loss: ≤ 2 dB
Return Loss: >15 dB @ 7 MHz to 8 MHz
Rejection: >50 dB @ 4.3 MHz
Rejection2: >50 dB @ 12.5 MHz
Impedance: 50 Ohms

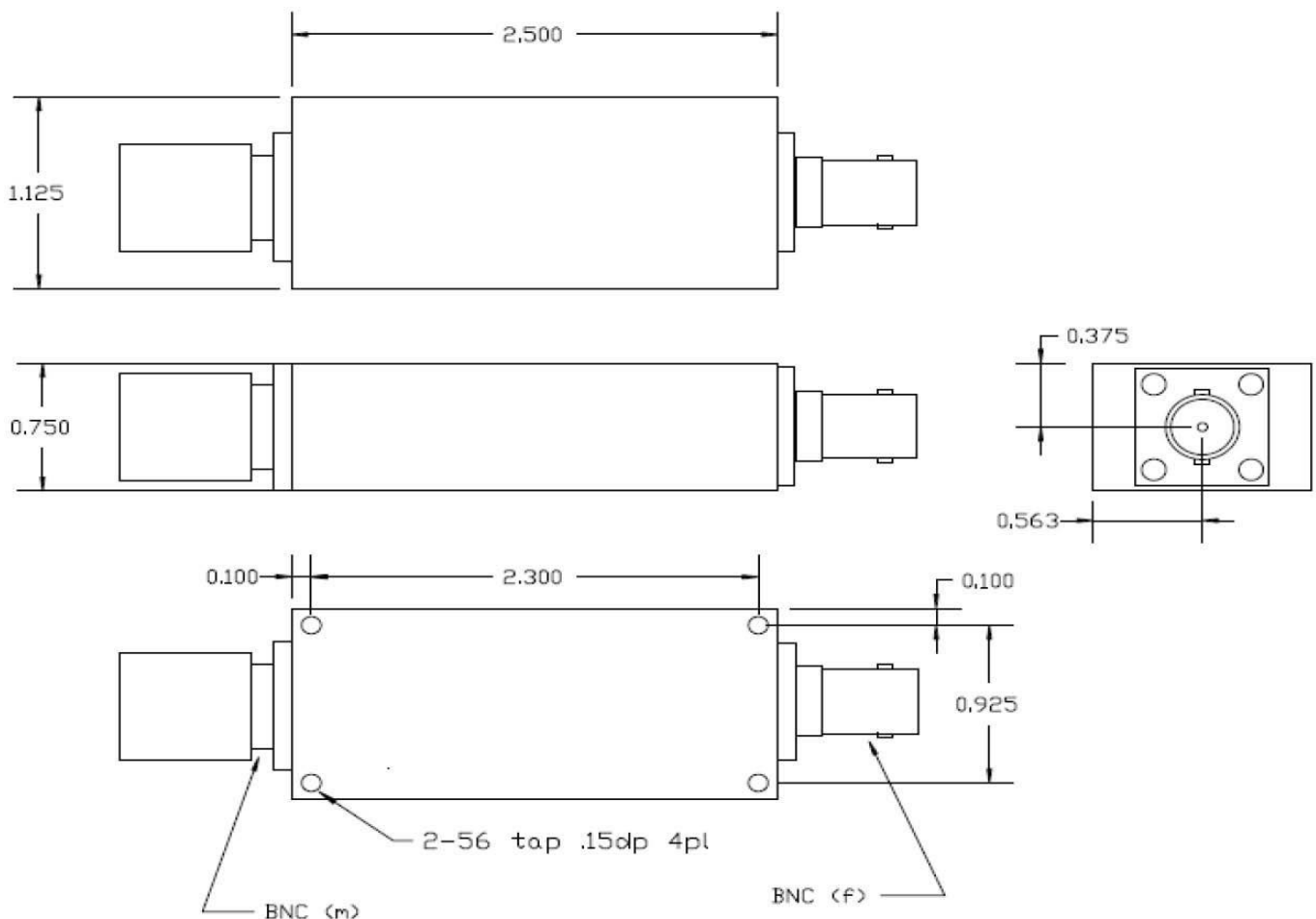
Mechanical

Connector Type: BNC(Male) & BNC(Female)
Dimensions: 2.5" x 1.125" x 0.750" in.

Environmental

Operating Temperature: -25°C to $+70^{\circ}\text{C}$
Storage Temperature: -40°C to $+90^{\circ}\text{C}$
Shock: 10 G. 11ms
Vibration: 10 G. 5 to 200Hz

Outline Drawing:



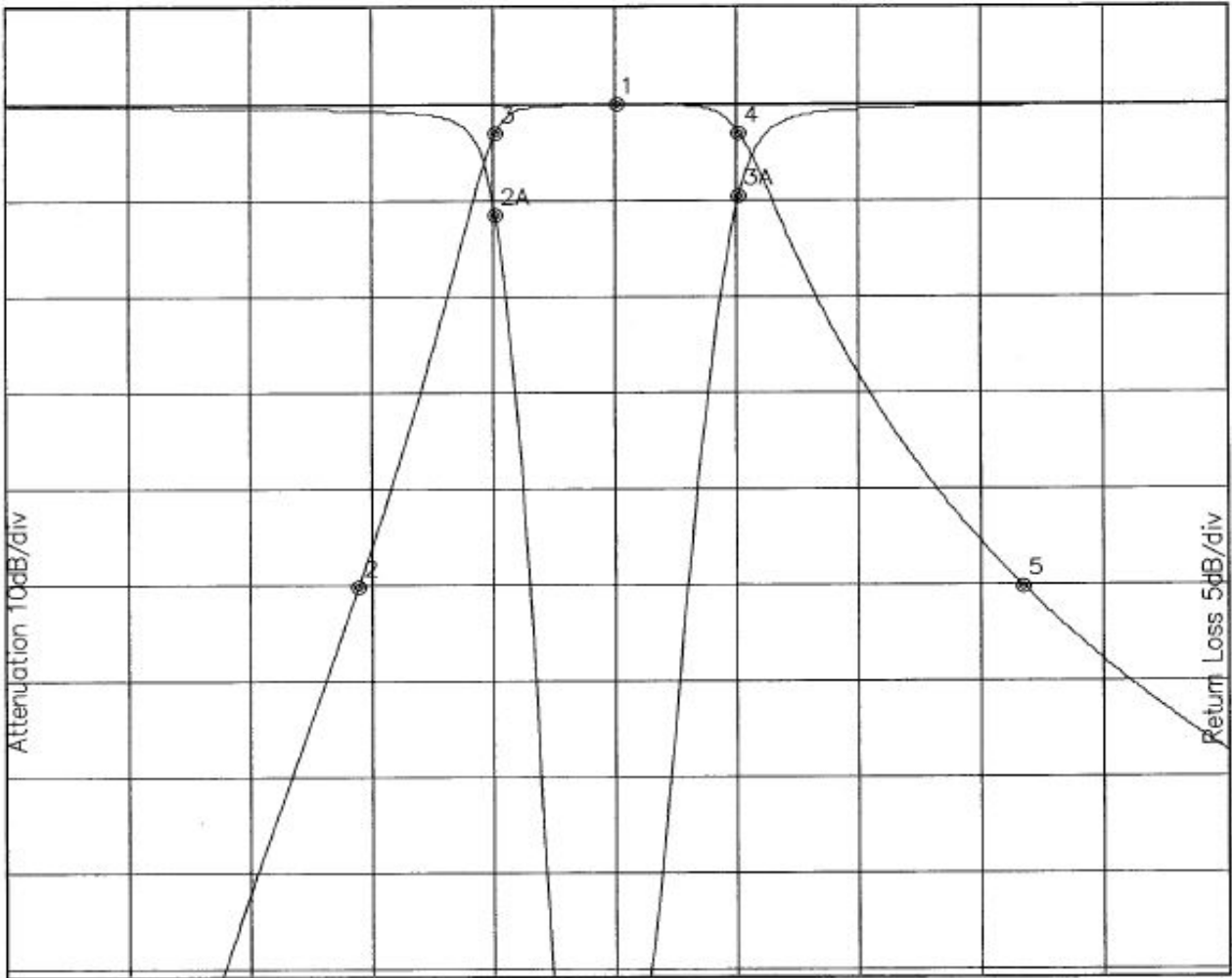


Response Plot:

B9596.lad

AUG 9, 2007

Attenuation/Return Loss



Attenuation Start: 0.001Hz Stop: 15.0MHz

Return Loss Start: 0.001Hz Stop: 15.0MHz

Offset -0.8695dB

Marker 1 Freq 7.512MHz Atten 0.003dB
Marker 2 Freq 4.313MHz Atten -50.279dB
Marker 3 Freq 6.010MHz Atten -2.958dB
Marker 4 Freq 9.015MHz Atten -2.939dB
Marker 5 Freq 12.504MHz Atten -50.118dB

Marker 1A Freq 7.512MHz Ret Loss -58.659dB
Marker 2A Freq 6.010MHz Ret Loss -5.755dB
Marker 3A Freq 9.015MHz Ret Loss -4.780dB