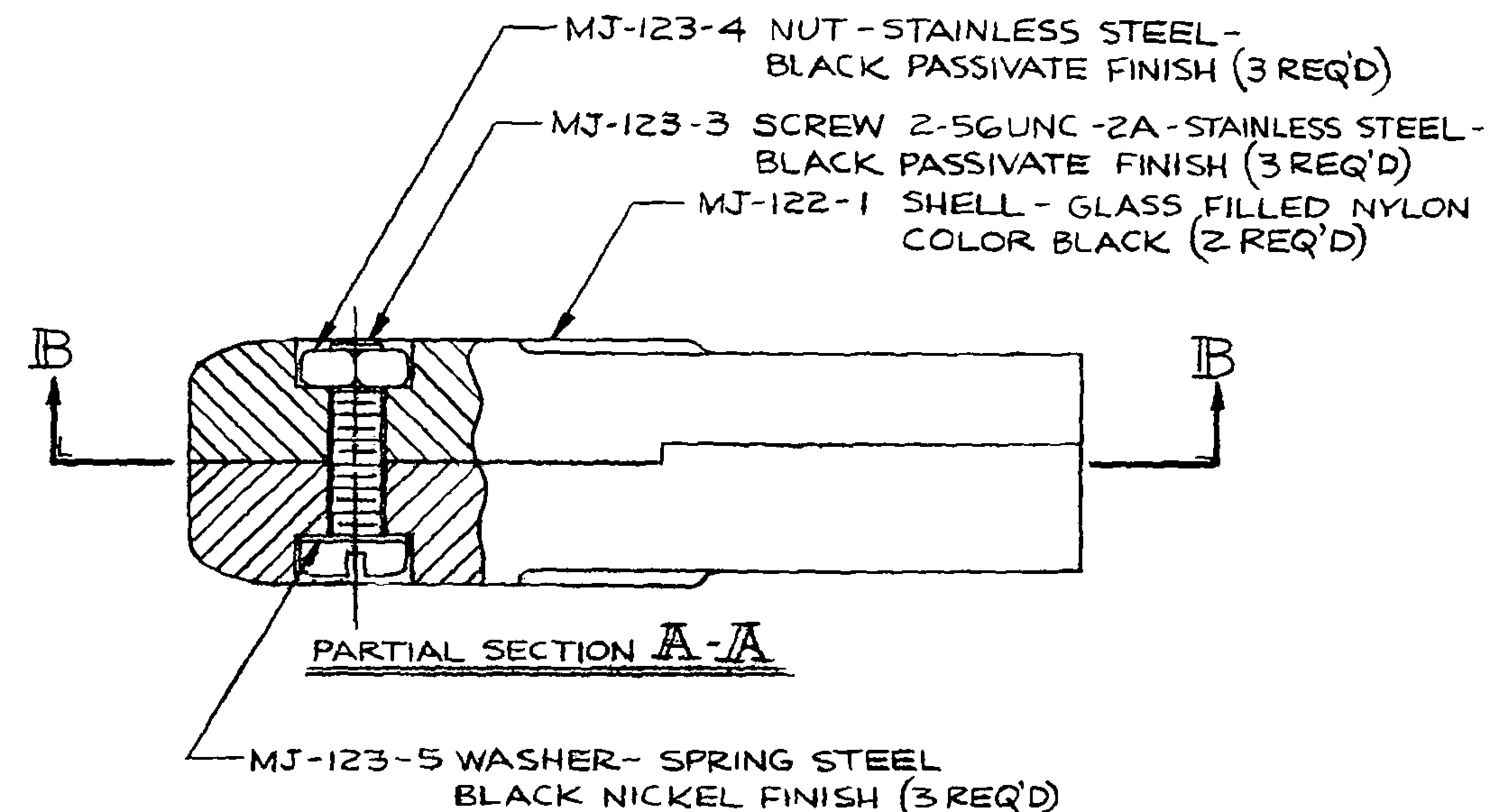


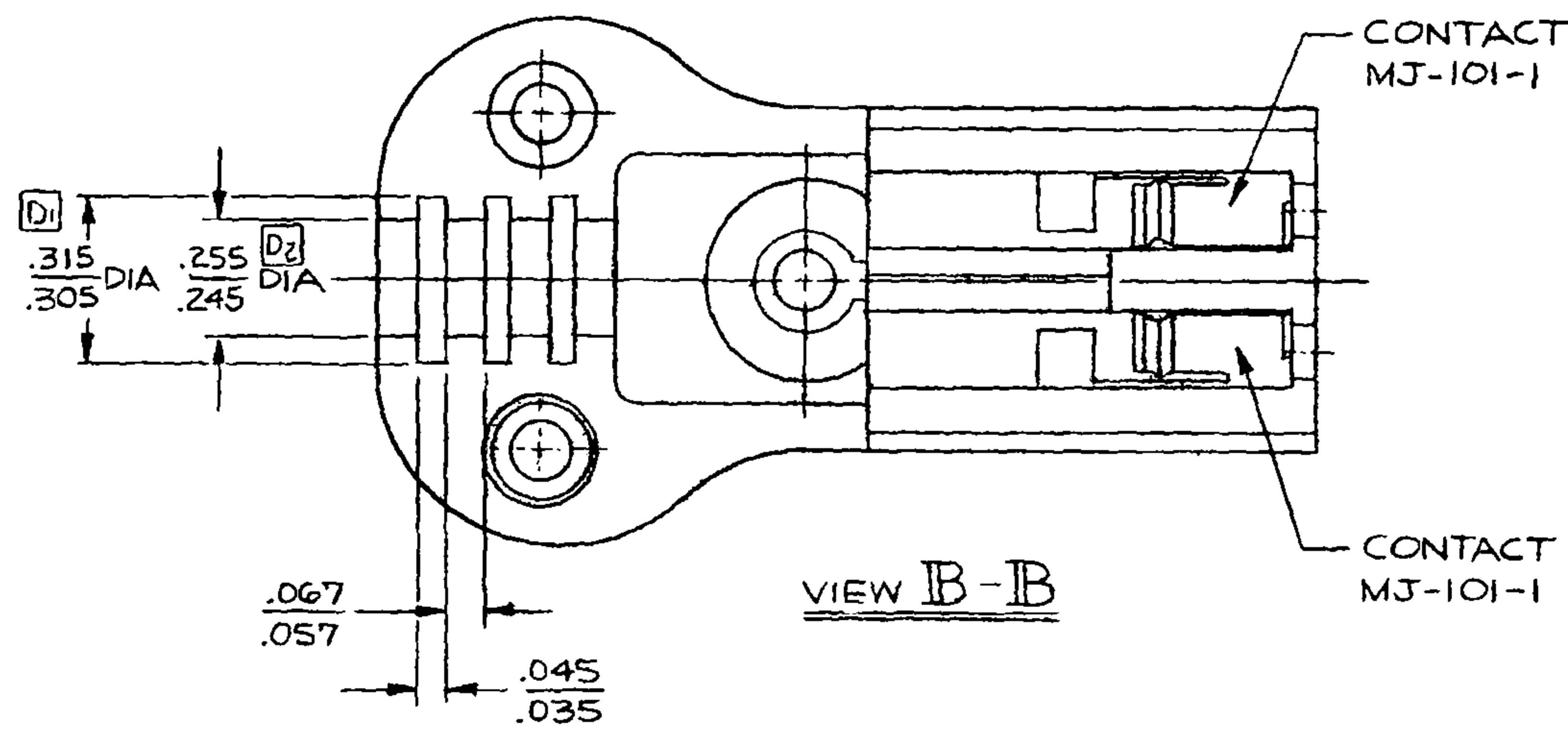
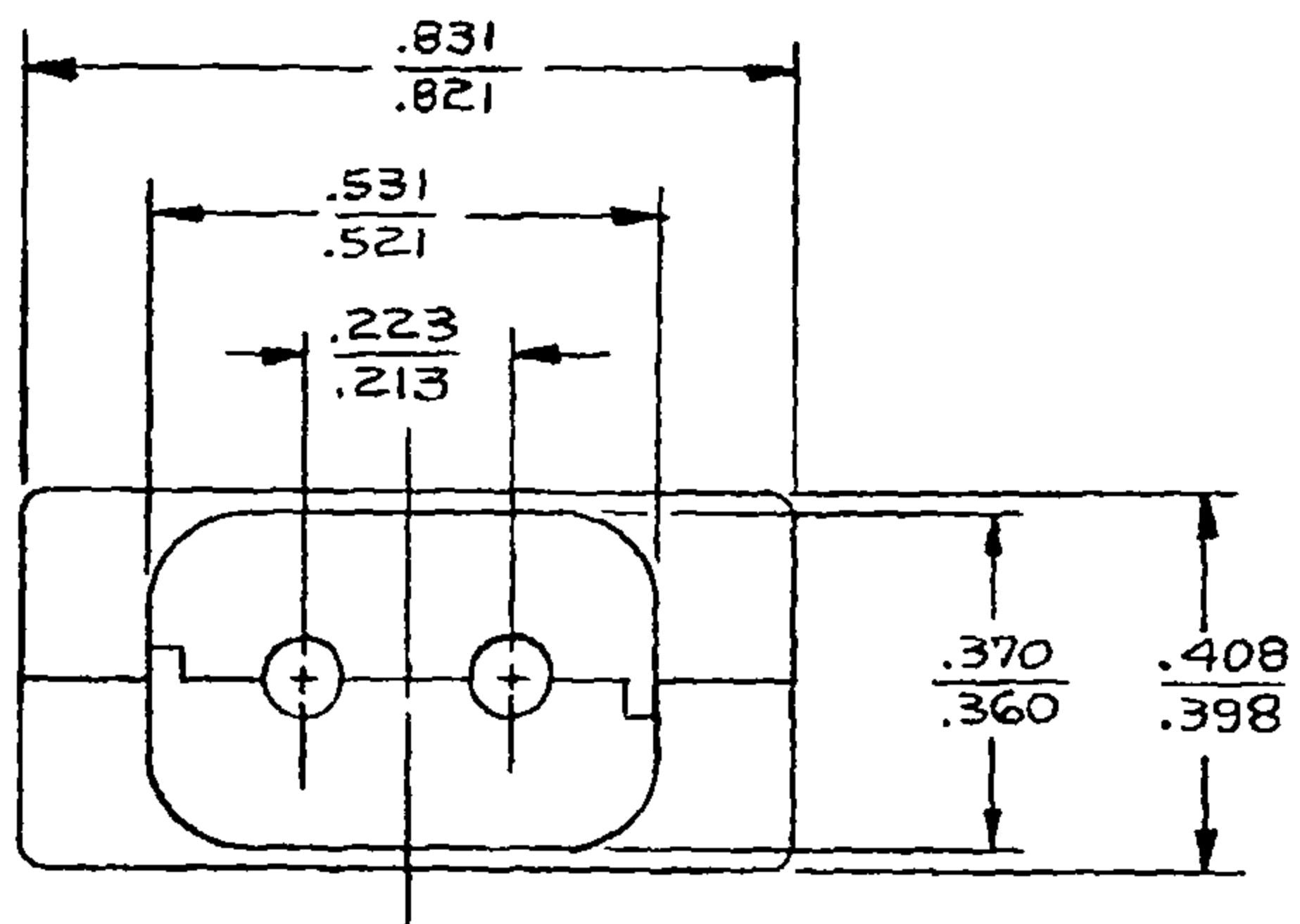
LETTERING RAISED .006



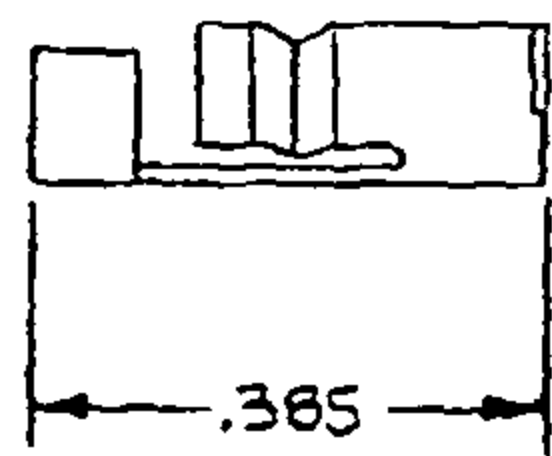
- MJ-123-4 NUT - STAINLESS STEEL - BLACK PASSIVATE FINISH (3 REQ'D)
- MJ-123-3 SCREW 2-56UNC -2A - STAINLESS STEEL - BLACK PASSIVATE FINISH (3 REQ'D)
- MJ-122-1 SHELL - GLASS FILLED NYLON COLOR BLACK (2 REQ'D)

PARTIAL SECTION A-A

- MJ-123-5 WASHER - SPRING STEEL BLACK NICKEL FINISH (3 REQ'D)



VIEW B-B



CONTACT MJ-101-1

LET.	REVISION	DATE	CHK.
D	2) .255/.245 WAS .189/.179 1) .315/.305 WAS .265/.255	12/6/83	
C	REDRAWN - CONTACT CHANGED	10-2-85	

DRW. BY 1DH	DATE 10-2-85	MATERIAL
CHECKED BY		FINISH
APP. BY		WEIGHT
		SCALE 4:1
UNLESS OTHERWISE SPECIFIED DIMENSIONS ARE IN INCHES TOLERANCES ON FRACTIONS DECIMALS ANGLES		TITLE MICROPHONE JACK 2 CONDUCTOR
DO NOT SCALE DWG.		SHEET OF
		NEXUS STAMFORD, CONN.
		DWG. NO. C MJ-122

C MJ-122