

MATERIALS AND FINISHES

BODY BRASS
PLATED GOLD (1 MICROINCH MIN)

CENTER CONTACT BECU
PLATED GOLD (5 MICROINCH MIN)

INSULATOR TEFLON

PACKAGING BY TRAY

ELECTRICAL PERFORMANCE

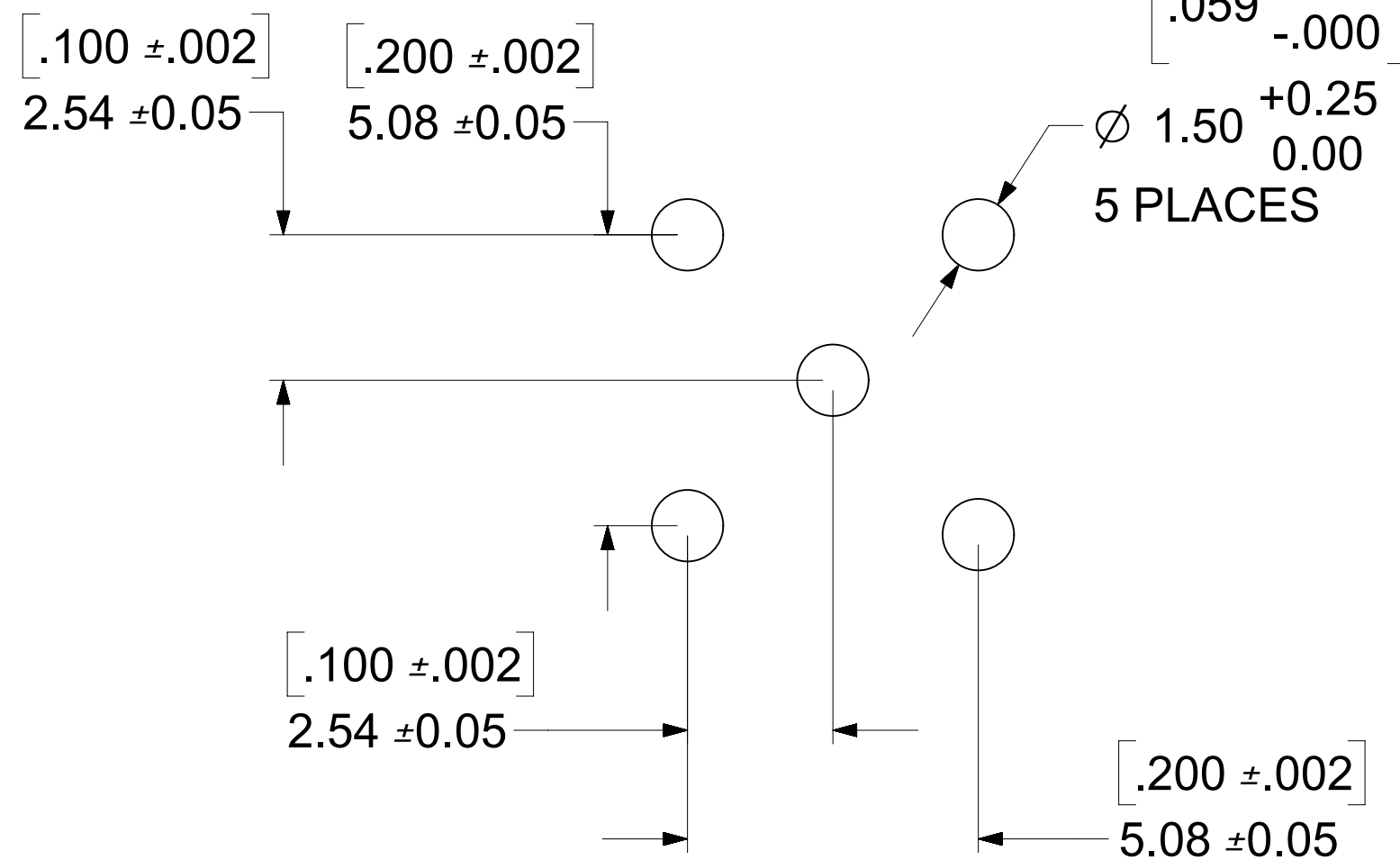
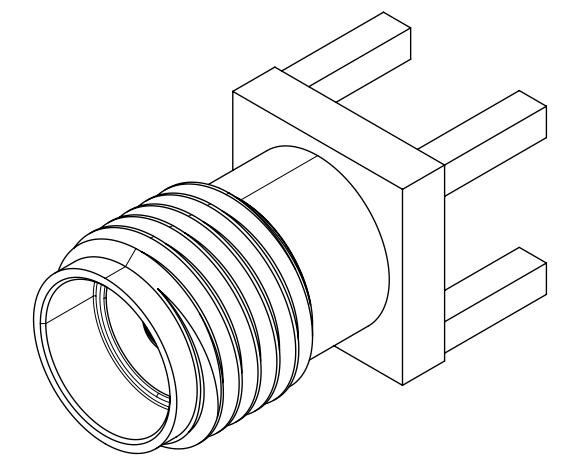
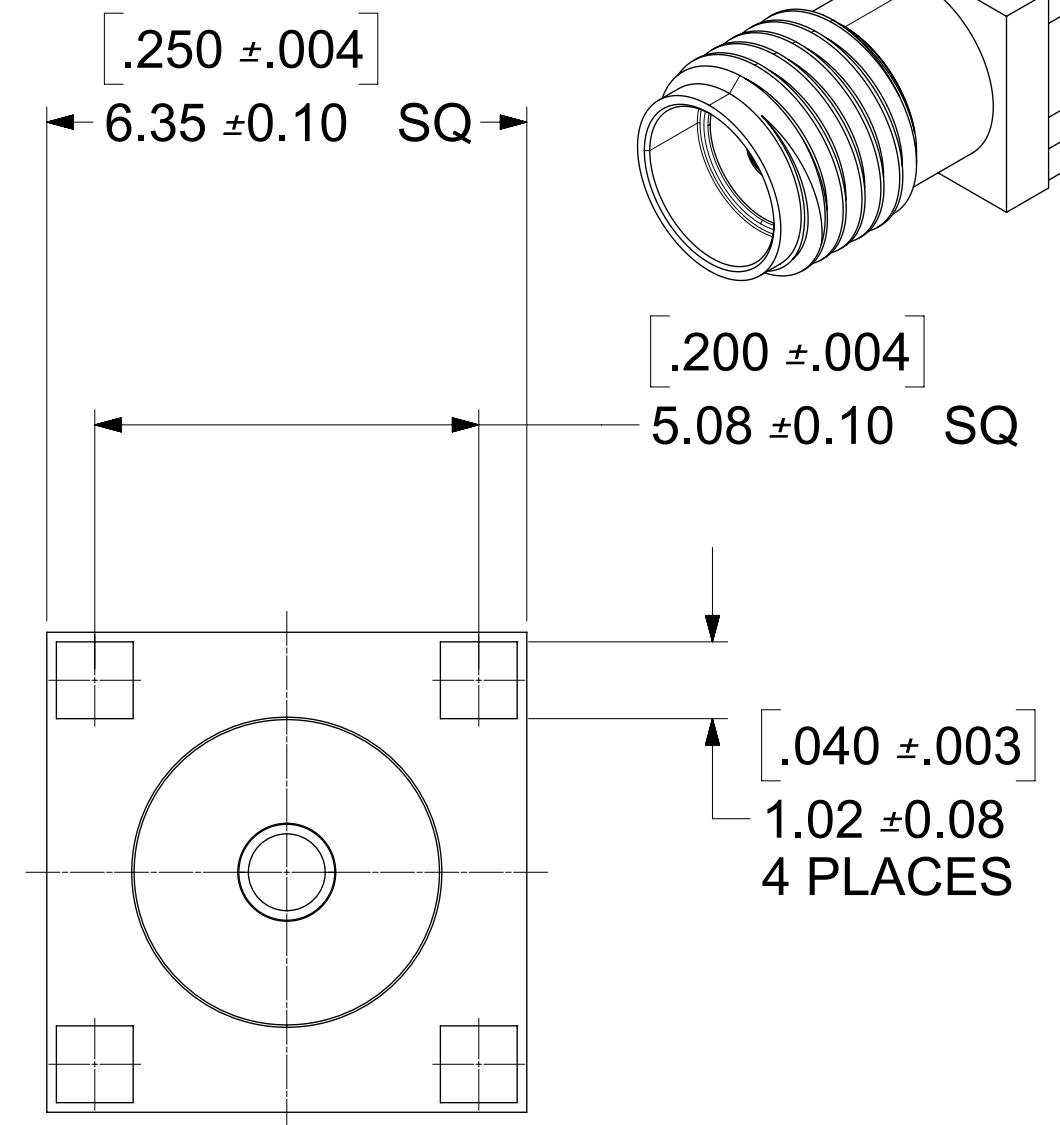
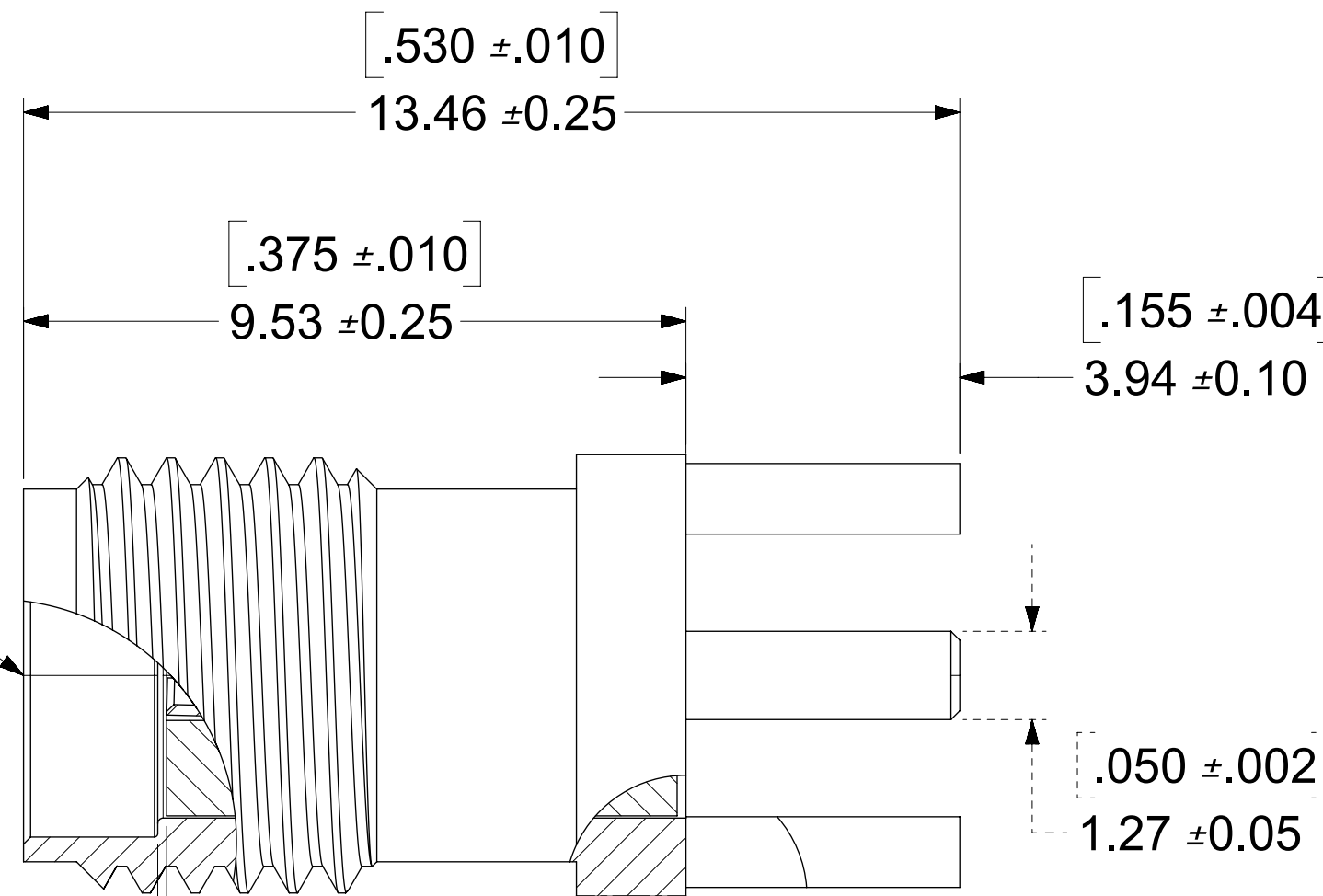
VSWR LESS THAN 1.066 @ 6GHZ

INSERTION LOSS

LESS THAN 0.15 @ 6GHZ

SMA JACK
INTERFACE

$.005 \pm .005$
 0.13 ± 0.13

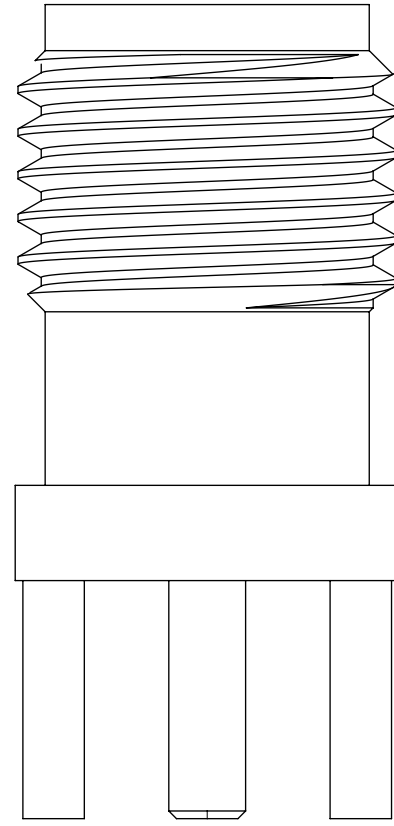


PART #73251-7040

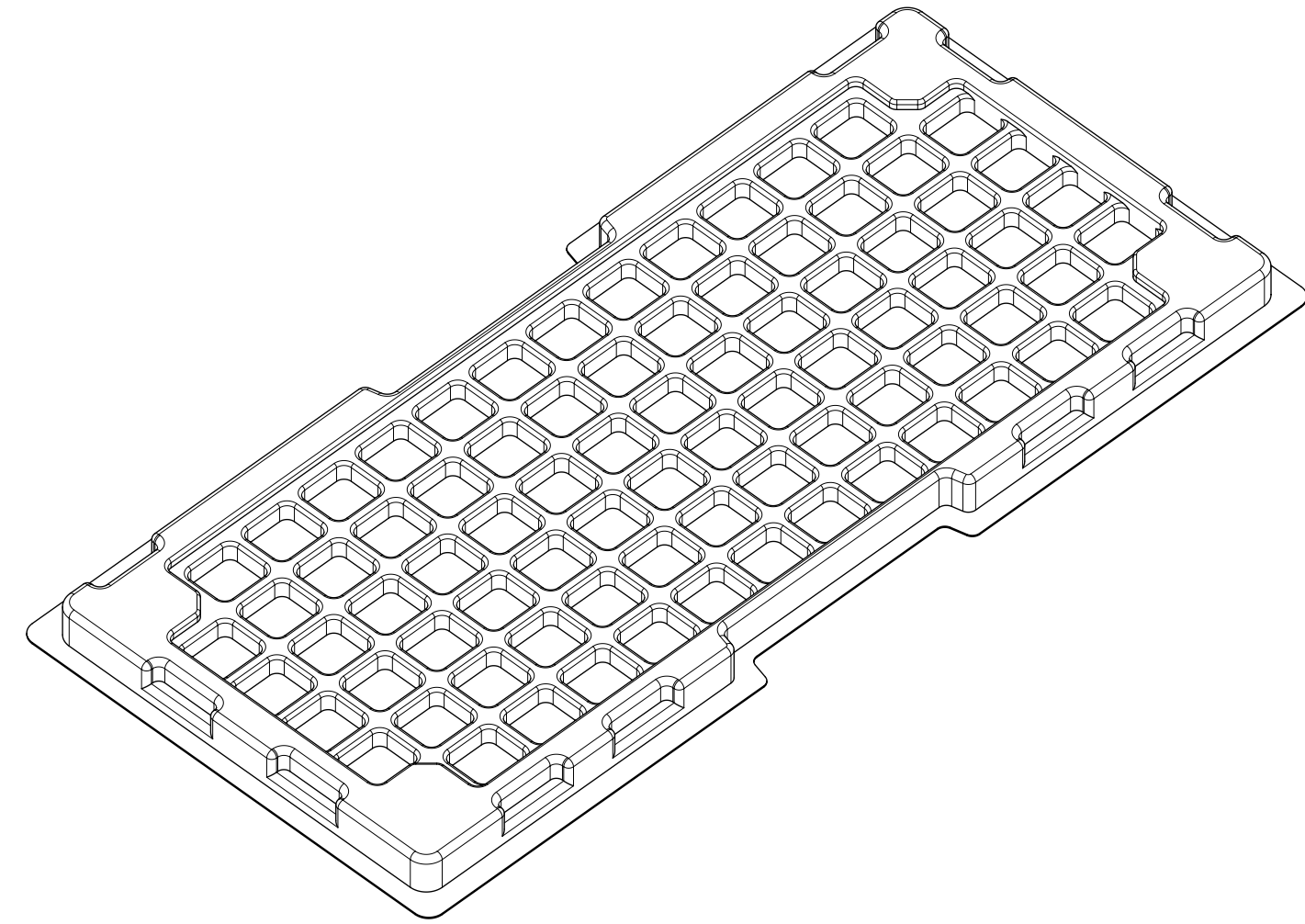
PS-89675-365	REFLOW PROFILE
PS-89675-346	MECH PERFORMANCE
MIL-STD-348A. FIG. 310.2	INTERFACE
SPECIFICATION	DESCRIPTION

A	NEW RELEASE
REV	DESCRIPTION

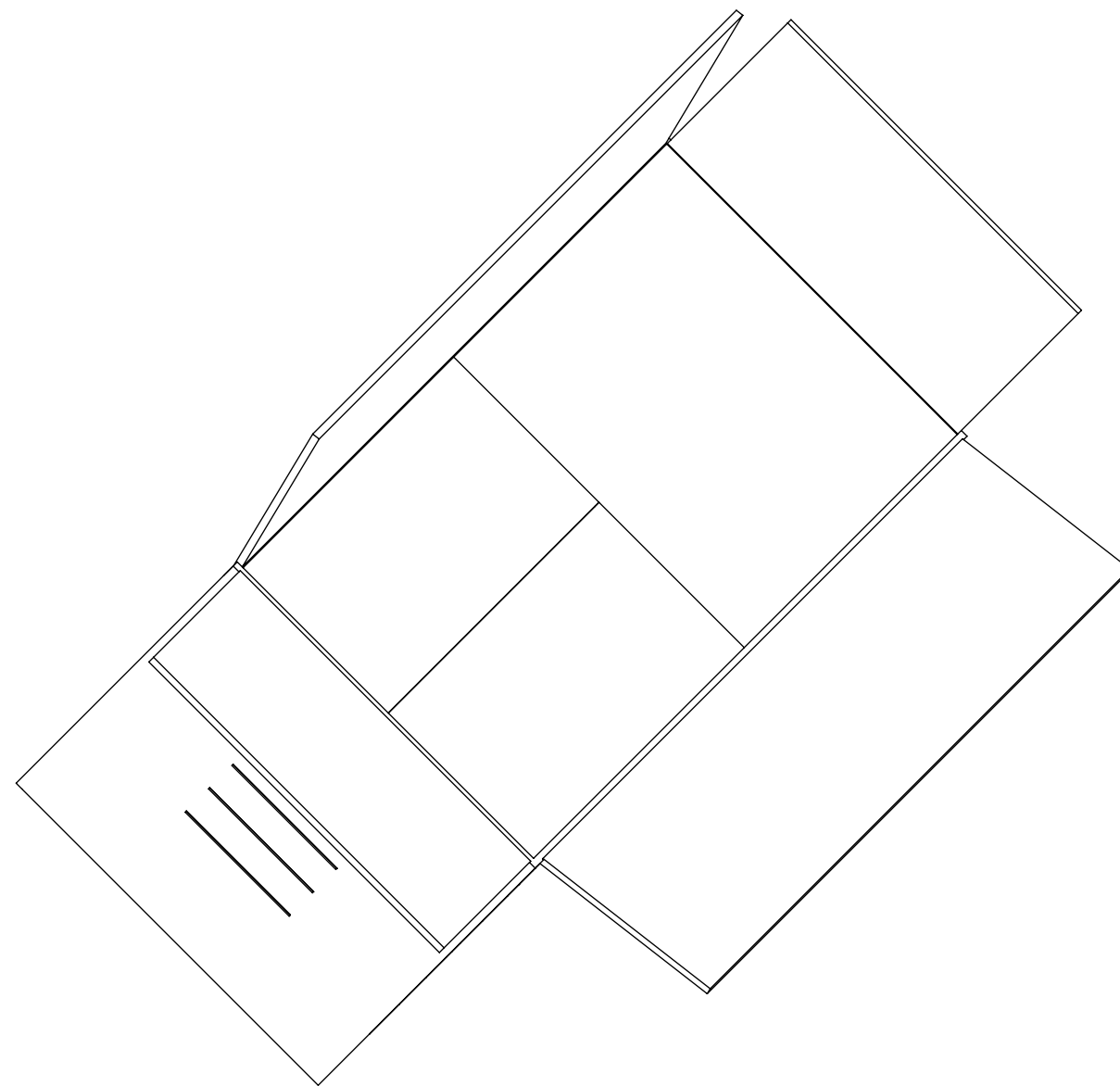
QUALITY SYMBOLS	THIS DRAWING CONTAINS INFORMATION THAT IS PROPRIETARY TO MOLEX ELECTRONIC TECHNOLOGIES, LLC AND SHOULD NOT BE USED WITHOUT WRITTEN PERMISSION	
	▽ = 0 ▽ = 0 ▽ = 0 ▽ = 0 ▽ = 0 ▽ = 0 ▽ = 0 ▽ = 0 ▽ = 0	EC NO: 113482 DRWN: SHO01 CHKD: REV: APPR: YCHENG
GENERAL TOLERANCES (UNLESS SPECIFIED) ANGULAR TOL ± °		DIMENSION UNITS: MM SCALE: 10:1 DRWN BY: SHO01 DATE: 2016/12/15 CHK'D BY: DATE: APPR BY: YCHENG DATE: 2017/02/23
4 PLACES ± 3 PLACES ± 2 PLACES ± 0.25 1 PLACE ± 0 PLACES ±		PRODUCT CUSTOMER DRAWING SERIES: 73251 MATERIAL NUMBER: 732517040 CUSTOMER: DOCUMENT NUMBER: 732517040 DOC TYPE: PSD DOC PART: 000 SHEET NUMBER: 1 OF 3
DRAFT WHERE APPLICABLE MUST REMAIN WITHIN DIMENSIONS		DRAWING SIZE: C THIRD ANGLE PROJECTION



732517040



80 PCS IN TRAY



1600 PCS IN BOX



3200 PCS IN BOX

QUALITY SYMBOLS 	THIS DRAWING CONTAINS INFORMATION THAT IS PROPRIETARY TO MOLEX ELECTRONIC TECHNOLOGIES, LLC AND SHOULD NOT BE USED WITHOUT WRITTEN PERMISSION									
	EC NO: 113482 DRWN: SH001 CHKD: REV / APPR: YCHENG	2016/12/15 2017/02/23	GENERAL TOLERANCES (UNLESS SPECIFIED)		DIMENSION UNITS	SCALE				
			ANGULAR TOL ± °		MM	1:3				
	4 PLACES ±		DRWN BY	DATE	SMA JACK VERTICAL PCB SMA-J/PCB					
	3 PLACES ±		SHO01	2016/12/15						
	2 PLACES ± 0.25		CHKD BY	DATE	PRODUCT CUSTOMER DRAWING					
	1 PLACE ±		YCHENG	2017/02/23						
	0 PLACES ±		APPR BY	DATE	SERIES	MATERIAL NUMBER	CUSTOMER			
	DRAFT WHERE APPLICABLE MUST REMAIN WITHIN DIMENSIONS		DRAWING SIZE	THIRD ANGLE PROJECTION	73251					
			C		DOCUMENT NUMBER	DOC TYPE	DOC PART	SHEET NUMBER		
		A		732517040	PSD	000	2 OF 3			