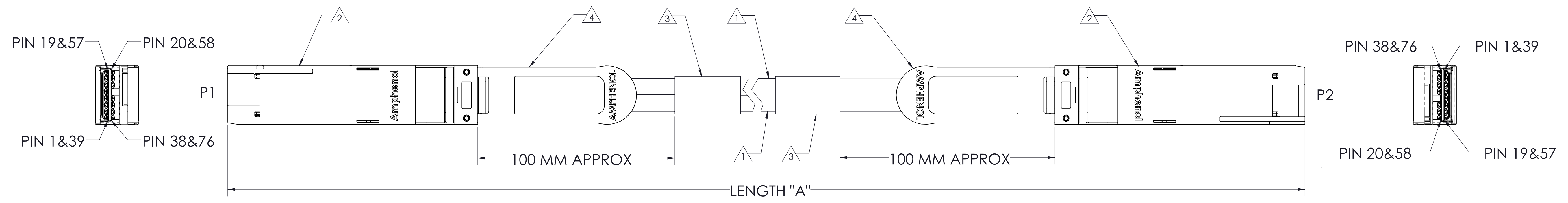
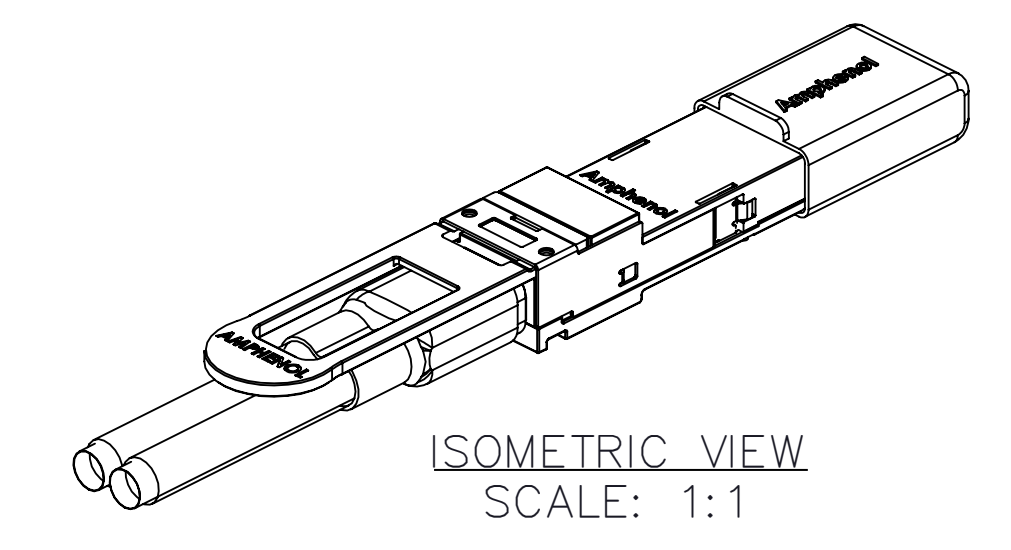
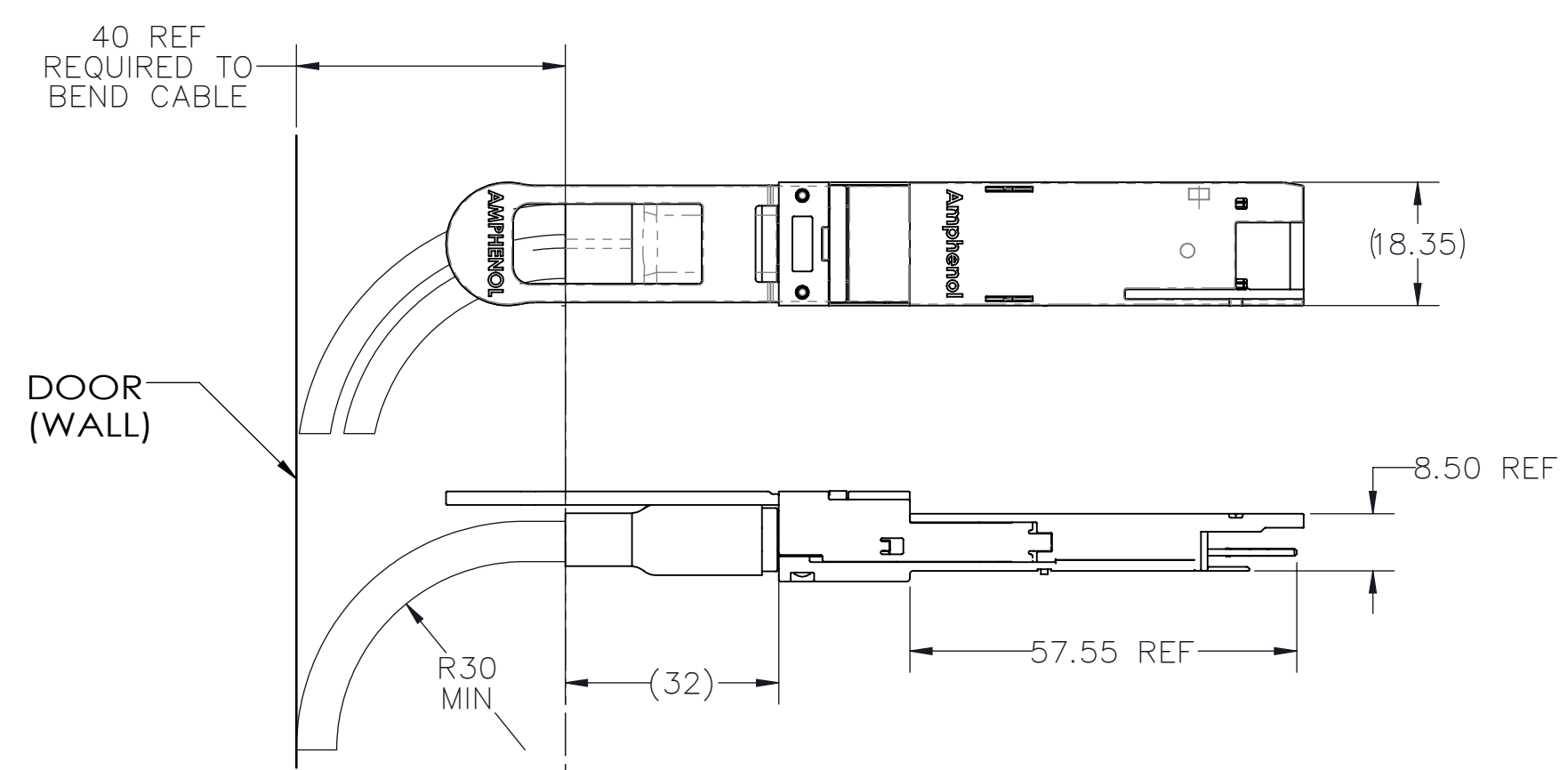


| AHSP P/N | LENGTH "A" | ACD P/N | DESCRIPTION |
|--------------|------------|-----------------------|-----------------------------|
| NDYYYYF-C101 | 1000±20MM | SF-NDYYYYF0001-001M | QSFP-DD 30AWG PASSIVE, 1M |
| NDYYYYF-C104 | 1500±30MM | SF-NDYYYYF0004-001.5M | QSFP-DD 30AWG PASSIVE, 1.5M |

| ZONE | REV. | ECN | DESCRIPTION | BY | DATE | APPROVED |
|------|------|---------------|---|--------|------------|-----------|
| ALL | A | MKHN-18121402 | NEW RELEASE | HCL-PB | 01/03/2019 | M.HUSSAIN |
| | B | RGA0-20121604 | ADDED ACD P/N COLUMN TO TABLE 1. ADDED CE STAMP TO SHEET 1. ADDED REFERENCE DIMENSION TO BENDING RADIUS | N.ZENG | 12/17/2020 | A.LI |
| | C | RGA0-21020302 | ADDED DESCRIPTION COLUMN TO TABLE 1. | N.ZENG | 2/4/2021 | A.LI |

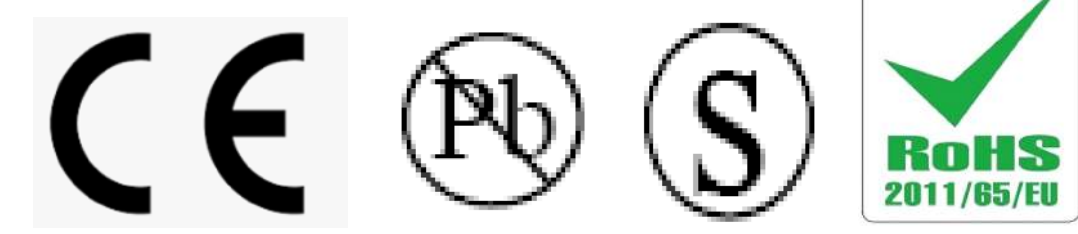


| ITEM No. | DESCRIPTION |
|----------|---|
| 1 | 30 AWG, 8-PR, SPLITTER, PVC JKT, VW1 |
| 2 | PLUG, QSFP-DD, REFERENCE "QSFP-DD MSA" |
| 3 | LABEL, WRAPPED - AHSP P/N, REV, DATE CODE, LENGTH, CoO, SERIAL NUMBER & WEEE LOGO AND CE LOGO |
| 4 | PULL TAB, BLUE 2718 |
| 5 | EPROM - REFERENCE SFF-8636, PAGE A0 ONLY |



- NOTES:
- THIS DRAWING IS RESERVED FOR AMPHENOL CABLES ON DEMAND.
 - ASSEMBLIES SHALL BE COMPLIANT TO QSFP-DD MSA SPECIFICATION.
 - CABLE ASSEMBLIES, COMPONENTS AND SUB-COMPONENTS SHALL BE COMPLIANT TO EU DIRECTIVE 2011/65/EU-RoHS2.
 - CABLE ASSEMBLIES MUST MEET SHIELDING EFFECTIVENESS REQUIREMENTS OF 35DB MINIMUM FROM 1-10GHZ AND 30DB FROM 10-18 GHZ.
 - PACKAGE COMPLETED ASSY IN AN APPROPRIATELY SIZED ESD BAG.
 - UL LABEL MUST BE ON SHIPPING CARTON PER SUBJECT 764 OF THE UL COMPONENT WIRING HARNESS (ZPFW2) FILE #E86140. CSA LABEL MUST BE ON SHIPPING CARTON.

RADIUS FROM END OF DIECAST



| TOLERANCES | DWN | 12/14/2018 | M.HUSSAIN |
|------------|--------|------------|------------|
| 0.0 | ± 0.1 | CHK | 12/14/2018 |
| 0.00 | ± 0.08 | | M.HUSSAIN |
| 0.000 | ± - | APVD | 12/14/2018 |
| ANGLES | ± 1.0° | | M.HUSSAIN |

UNLESS OTHERWISE SPECIFIED DIMENSIONS ARE IN MM

| | |
|--|--|
| Amphenol AHSP | |
| A Division of Amphenol Corporation | |
| 200 Innovative Way, Suite 201, Nashua, N.H. 03062 (603) 879-3000 | |
| TITLE | CABLE ASSY, QSFP-DD PASSIVE, 100Ω, DUAL-ENTRY 30 AWG |
| PART NO. | SEE TABLE 1 |
| DRAWING NO. | C-NDYYYYF-C199 |
| SIZE | D |
| SCALE | 2:1 |
| SHEET | 1 of 2 |

8

7

6

5

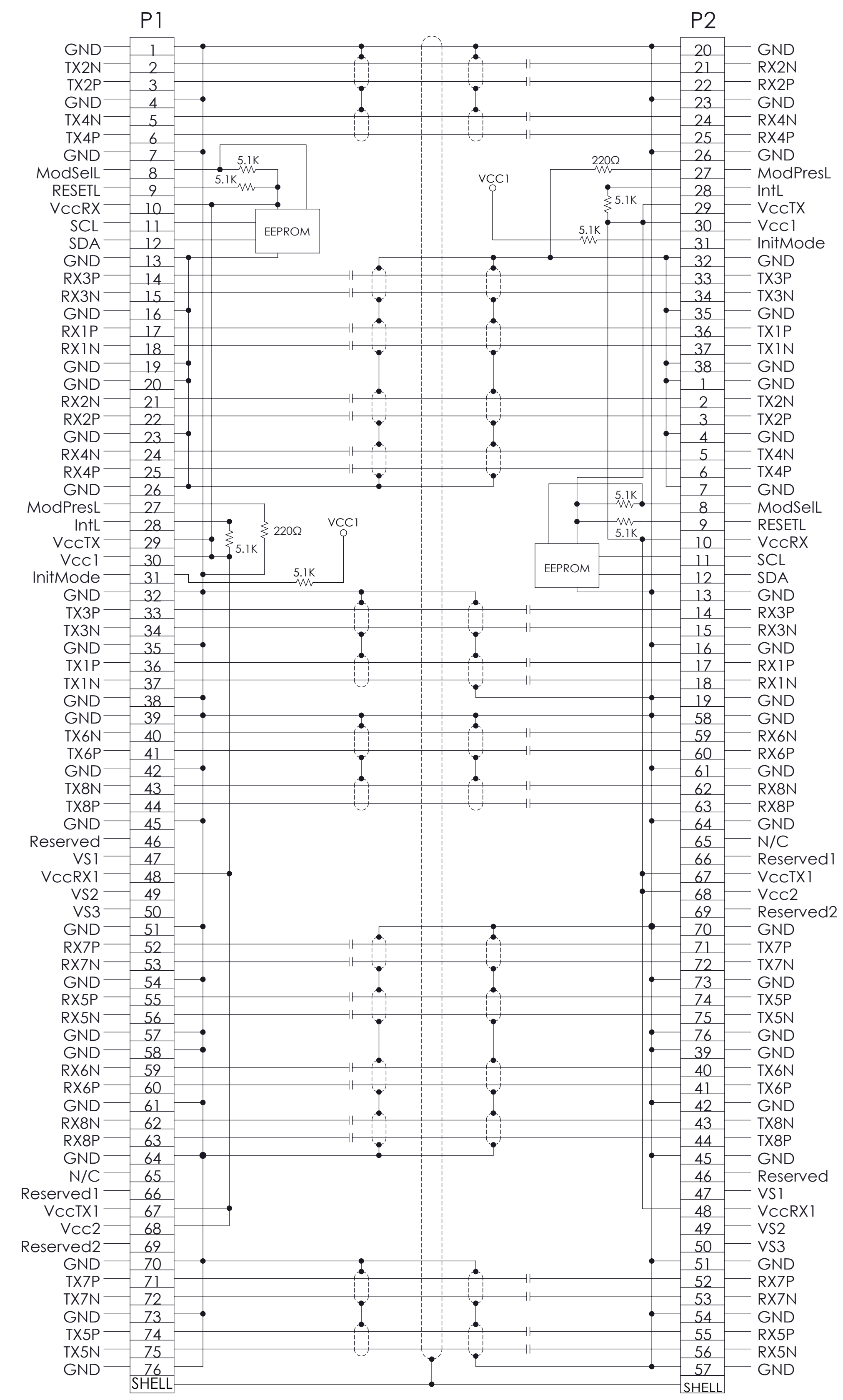
4

3

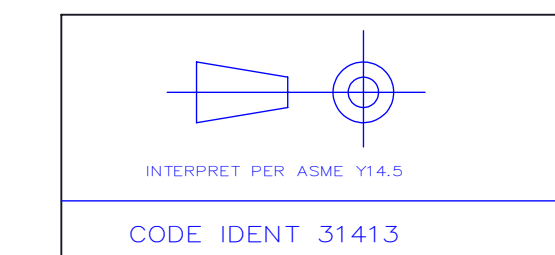
2

DWG NO. C-NDYYYYF-C199 SH 2 REV C

| REVISIONS | | | | | | |
|-----------|------|-----|-------------|----|------|----------|
| ZONE | REV. | ECN | DESCRIPTION | BY | DATE | APPROVED |
| | | | SEE SHEET 1 | | | |



NOTE: DC BLOCKING CAP VALUE IS 100nF



| | | | |
|---|-----------|----------------------------|--|
| TOLERANCES | | DWN 12/14/2018 | Amphenol AHSP A Division of Amphenol Corporation 200 Innovative Way, Suite 201, Nashua, N.H. 03062 (603) 879-3000 |
| 0.0 | ± 0.1 | M.HUSSAIN 12/14/2018 | |
| 0.00 | ± 0.08 | M.HUSSAIN 12/14/2018 | |
| 0.000 | ± - | M.HUSSAIN 12/14/2018 | |
| ANGLES | ± 1.0° | M.HUSSAIN 12/14/2018 | |
| UNLESS OTHERWISE SPECIFIED DIMENSIONS ARE IN MM | | | TITLE CABLE ASSY, QSFP-DD PASSIVE, 100Ω, DUAL-ENTRY 30 AWG |
| CUSTOMER USE DRAWING | | PART NO. SEE TABLE 1 | REV N/A |
| | | DRAWING NO. C-NDYYYYF-C199 | REV C |
| SIZE D | SCALE 1:1 | SHEET 2 of 2 | |