

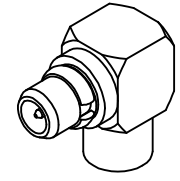
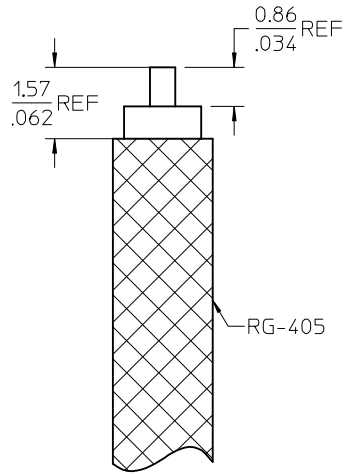
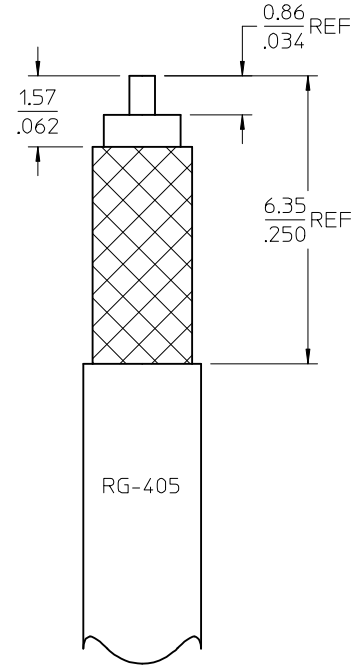
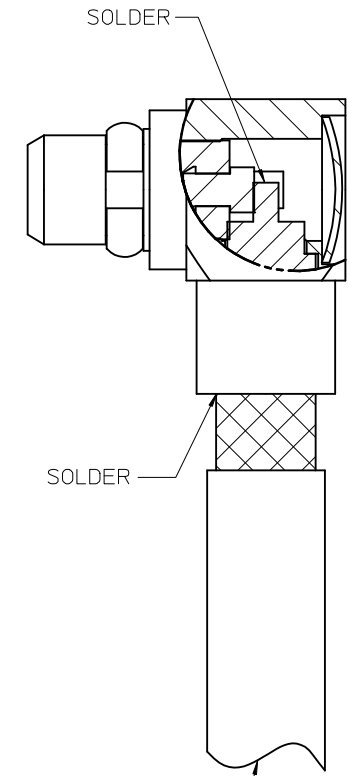
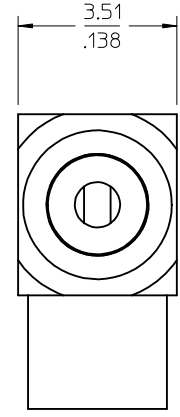
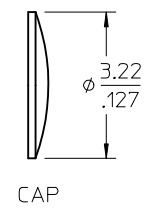
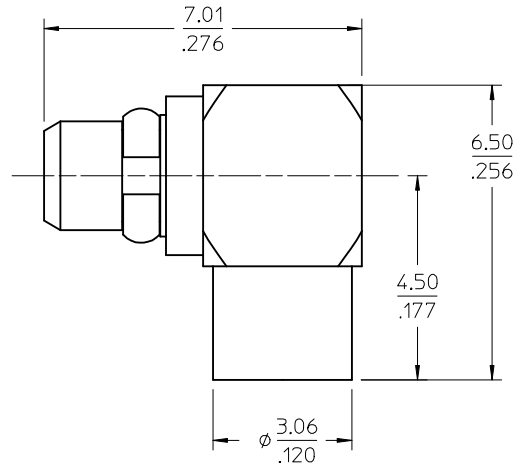
MATERIALS AND FINISHES:

BODY, CAP: BRASS  
PLATED: GOLD (SEE TABLE)

CENTER CONTACT: BRASS  
PLATED: GOLD (SEE TABLE)

SNAP RING: BERYLLIUM COPPER  
PLATED: GOLD (SEE TABLE)

INSULATOR: PTFE



RG-405 (φ0.086) CABLE

CABLE STRIP DIMENSIONS FOR JACKETED CABLES

CABLE STRIP DIMENSIONS FOR NON JACKETED CABLES

73415-2162	SINGLE BAG	FLASH	30u"
73415-2161	BULK	FLASH	30u"
73415-2160	BULK	30u"	50u"
PART NO.	PACKAGING	BODY/CAP/RING	CONTACT
		GOLD	GOLD

PS-89675-1920	ELECTRO/MECH PERFORM.
SPECIFICATION	DESCRIPTION

CHG: PTFE WAS TEFLON, ADDED GEN TOL VALUES, JACKET & NON JACKET CABLE DETAILS.  
 IEC NO: URF-2016-0187  
 DRW: INAPRAKASHO1 2015/08/28  
 CHK: DALLM 2015/08/28  
 APPR: AROBERTSON 2015/09/11

QUALITY SYMBOLS	DESCRIPTION
▽=0	
▽=0	
REV	A3

GENERAL TOLERANCES (UNLESS SPECIFIED)	DIMENSION STYLE
mm INCH	MM/IN
4 PLACES ± --- ± ---	DRAWN BY DATE
3 PLACES ± --- ± 0.010	TEF 2000/06/15
2 PLACES ± 0.25 ± ---	CHECKED BY DATE
1 PLACE ± --- ± ---	SSS 2000/06/15
ANGULAR ± 2 °	APPROVED BY DATE
	JWIENER 2010/04/08
DRAFT WHERE APPLICABLE MUST REMAIN WITHIN DIMENSIONS	MATERIAL NO.
	SEE TABLE
	SIZE
	C

SCALE	DESIGN UNITS	THIRD ANGLE PROJECTION
	METRIC	
TITLE		
MMCX PLUG R/A RG405 50 OHMS MMCX-PC/RA		
MOLEX MOLEX INCORPORATED		
DOCUMENT NO.		SHEET NO.
SD-73415-216		1 OF 1

THIS DRAWING CONTAINS INFORMATION THAT IS PROPRIETARY TO MOLEX INCORPORATED AND SHOULD NOT BE USED WITHOUT WRITTEN PERMISSION

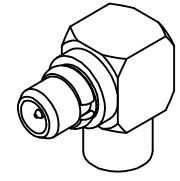
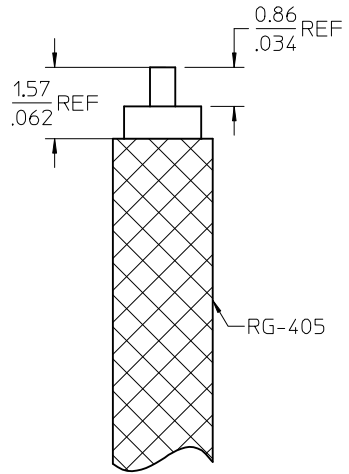
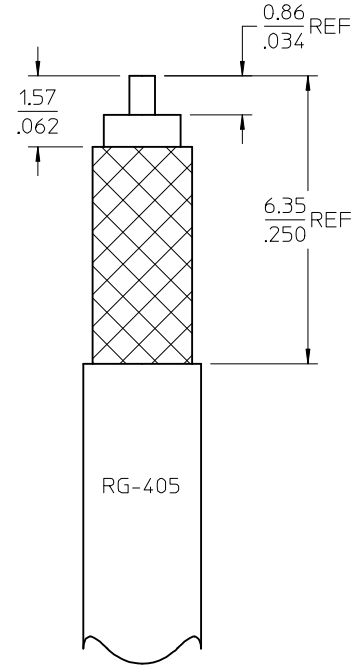
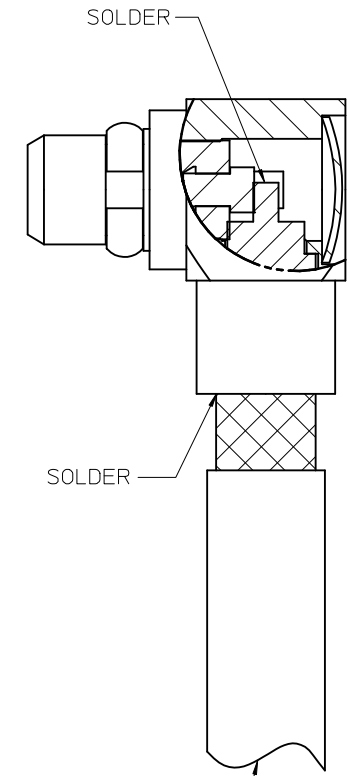
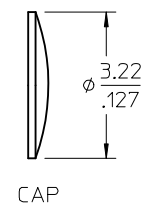
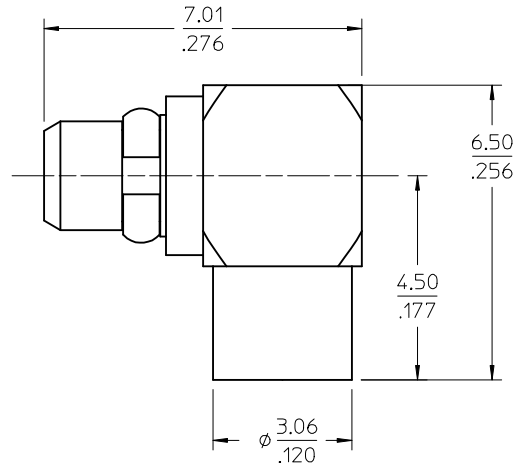
MATERIALS AND FINISHES:

BODY, CAP: BRASS  
PLATED: GOLD (SEE TABLE)

CENTER CONTACT: BRASS  
PLATED: GOLD (SEE TABLE)

SNAP RING: BERYLLIUM COPPER  
PLATED: GOLD (SEE TABLE)

INSULATOR: PTFE



RG-405 (φ0.086) CABLE

CABLE STRIP DIMENSIONS FOR JACKETED CABLES

CABLE STRIP DIMENSIONS FOR NON JACKETED CABLES

PS-89675-1920	ELECTRO/MECH PERFORM.
SPECIFICATION	DESCRIPTION

73415-2162	SINGLE BAG	FLASH	30u"
73415-2161	BULK	FLASH	30u"
73415-2160	BULK	30u"	50u"
PART NO.	PACKAGING	BODY/CAP/RING	CONTACT
		GOLD	GOLD

CHG: PTFE WAS TEFLON, ADDED GEN TOL VALUES, JACKET & NON JACKET CABLE DETAILS.  
 IEC NO: URF-2016-0187  
 DRW: INAPRAKASHO1 2015/08/28  
 CHK: DALLM 2015/08/28  
 APPR: AROBERTSON 2015/09/11

QUALITY SYMBOLS	DESCRIPTION
▽=0	
▽=0	
REV	A3

GENERAL TOLERANCES (UNLESS SPECIFIED)

	mm	INCH
4 PLACES	± .005	± .0004
3 PLACES	± .005	± 0.010
2 PLACES	± 0.25	± .010
1 PLACE	± .005	± .0004

ANGULAR ± 2°

DRAFT WHERE APPLICABLE MUST REMAIN WITHIN DIMENSIONS

DIMENSION STYLE		SCALE
MM/IN		METRIC
DRAWN BY	DATE	TITLE
TEF	2000/06/15	MMCX PLUG R/A RG405 50 OHMS MMCX-PC/RA
CHECKED BY	DATE	
SSS	2000/06/15	MOLEX INCORPORATED
APPROVED BY	DATE	
JWIENER	2010/04/08	DOCUMENT NO.
MATERIAL NO.		SD-73415-216
SIZE		SHEET NO.
SEE TABLE		1 OF 1

THIS DRAWING CONTAINS INFORMATION THAT IS PROPRIETARY TO MOLEX INCORPORATED AND SHOULD NOT BE USED WITHOUT WRITTEN PERMISSION