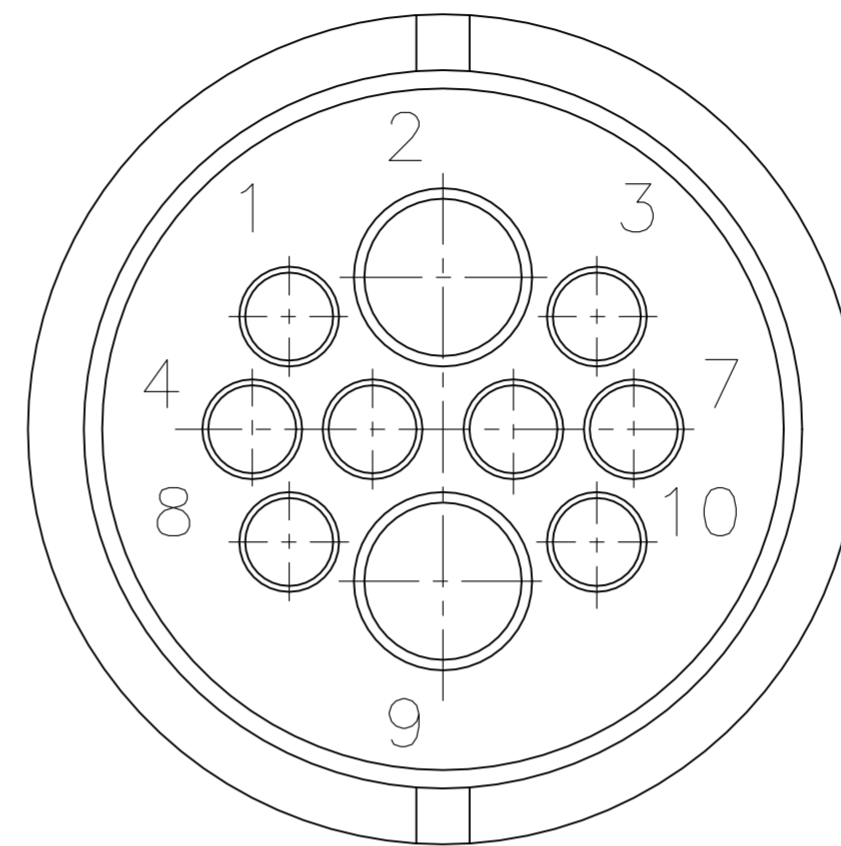
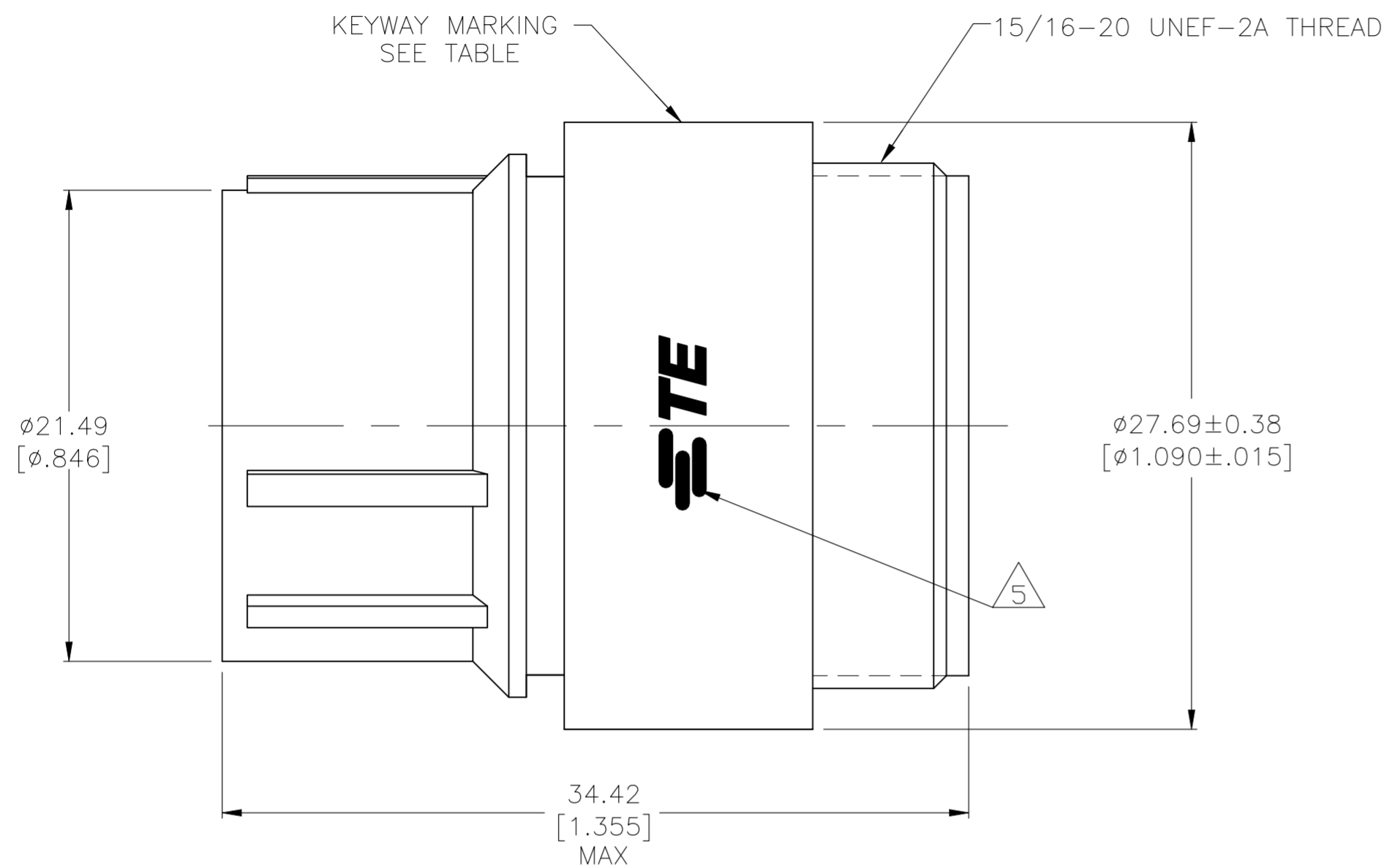


REVISIONS					
P	LTR	DESCRIPTION	DATE	DWN	APVD
C		ECO-21-005577	06MAY2021	RK	MZ



- 1 THIS PLUG WILL ACCEPT 2 TYPE I, SIZE 12 PIN CONTACTS AND 8 MULTIMATE PIN CONTACTS
- 2 MAXIMUM WIRE INSULATION ACCEPTED BY THIS PLUG IS $\phi 2.67[\phi .105]$ FOR MULTIMATE PIN CONTACTS

- WHITE STRIPE INDICATES MAJOR KEYWAY
- WHITE DOT INDICATES MAJOR KEYWAY
- TE LOGO LOCATED ANYWHERE ON THIS SURFACE

OBSOLETE		213130-3
		213130-2
	-	213130-1
	KEYWAY MARKING	PART NO

THIS DRAWING IS A CONTROLLED DOCUMENT.		DWN S.WELDON 11/03/89	TE Connectivity Ltd.	
DIMENSIONS: mm [INCHES]		CHK R.STONE 11-8-89		
TOLERANCES UNLESS OTHERWISE SPECIFIED:		APVD M.KAPEZYNSKI 11-8-89	NAME PLUG, CPC, ARRANGEMENT 17-10M, REVERSE SEX, SERIES 4, CLASS A	
0 PLC ± -		PRODUCT SPEC	SIZE CAGE CODE DRAWING NO RESTRICTED TO	
1 PLC ± -		APPLICATION SPEC	A2 00779 C-213130 -	
2 PLC ± 0.13 [.005]		WEIGHT	SCALE 4:1 SHEET 1 OF 1 REV C	
3 PLC ± -		CUSTOMER DRAWING		
4 PLC ± -				
4 ANGLES ± -				
FINISH -				
MATERIAL UL 94V-0 RATED, NYLON BLACK				