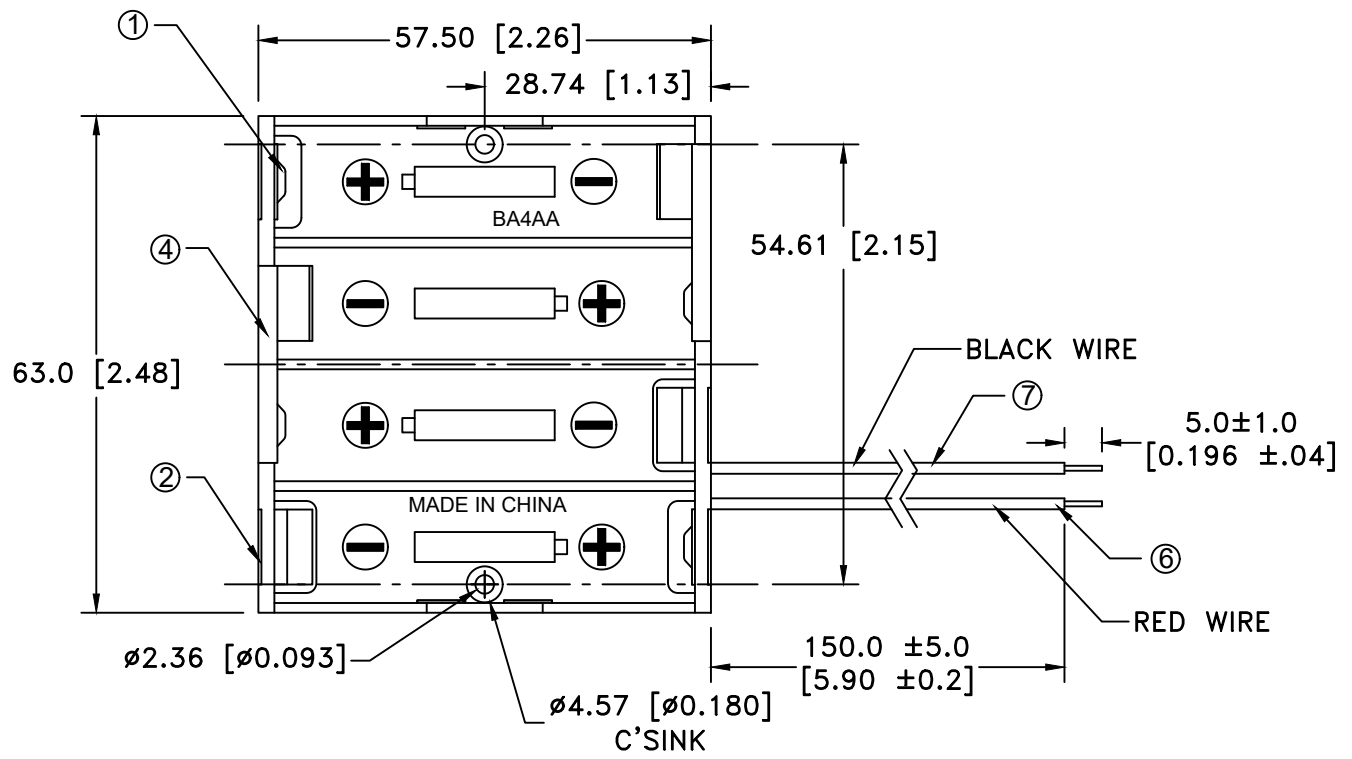
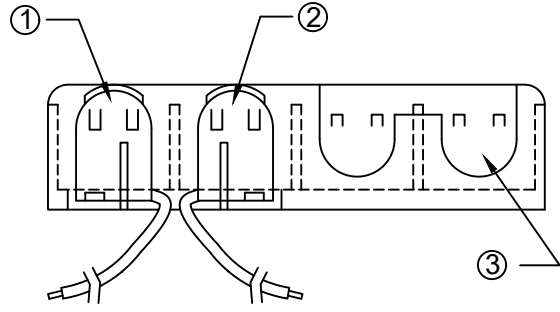
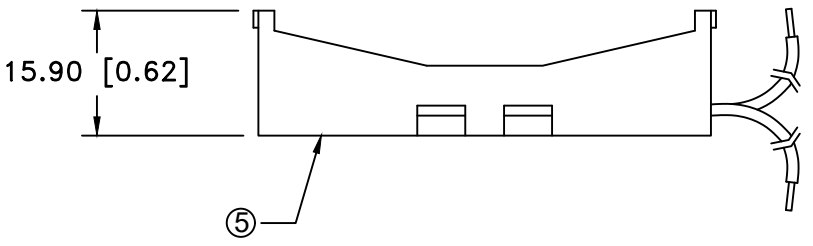


Date	SYM	REVISION RECORD	AUTH	DR.	CK.
04/21/17	F	Dim. 57.50 was 57.48 Dim. 150.0 was 152.4 Dim. 15.90 was 15.87 Dim. 5.0 was 3.18 Dim. 63.0 was 63.09	T.B.	B.S.	
03/06/19	G	Updated to "ROHS Compliant"	T.B.	B.S.	



**MOUNTING INSTRUCTION:**  
 USE 2-56 MACHINE SCREWS OR EYELETS 0.089" OD BY 0.15" FLANGE STIMPSON GS-3 SERIES OR EQUIVALENT. ALSO ADHESIVES AND DOUBLE SIDED TAPES WORK WELL.



**SPECIFICATION:**  
 1. HOUSING : BLACK POLYPROPYLENE  
 FLAMMABILITY RATING -UL94-HB, UL FILE NO. E216959  
 TEMPERATURE RANGE: -10°C to +100°C  
 CONTACTS: NICKEL PLATED STAINLESS STEEL  
 WIRES: 24AWG, UL1007, CSA TR-64, 300V, 80°C  
 CONTACT RESISTANCE: UNDER 50mΩ FOR +/- CONTACTS PER EIA-540J000  
 ROHS COMPLIANT

ITEM NO.	PART NO.	MATL. SPECIFICATION	QTY.	Tolerance (Except as noted)	MPD Memory Protection Devices, Inc 200 Broad Hollow Road, Farmingdale, New York 11735		
1	ABG-194	POSITIVE CONTACT, 301 STAINLESS STEEL, NICKEL PLTD.	2	decimal	Scale	Drawn By B.S.	
2	ABG-195	NEGATIVE CONTACT, 301 STAINLESS STEEL, NICKEL PLTD.	2	±.5 (.020)			
3	ABG-196-1	RIGHT NEG./POS. CONTACT, 301 STAINLESS STEEL, NICKEL PLTD.	1	Fractional	Title FOUR "AA" CELL SPRINGLESS HOLDER		
4	ABG-196-2	LEFT NEG./POS. CONTACT, 301 STAINLESS STEEL, NICKEL PLTD.	1	± .8 (.030)			
5	ABG-187	BLACK POLYPROPYLENE HOLDER, UL94-HB	1	Angular	Date	Drawing Number	
6		RED WIRE, 24AWG, UL1007, CSA TR-164, 80°C	1	± 3°	03/06/19	BA4AAW	
7		BLACK WIRE, 24AWG, UL1007, CSA TR-164, 80°C	1				