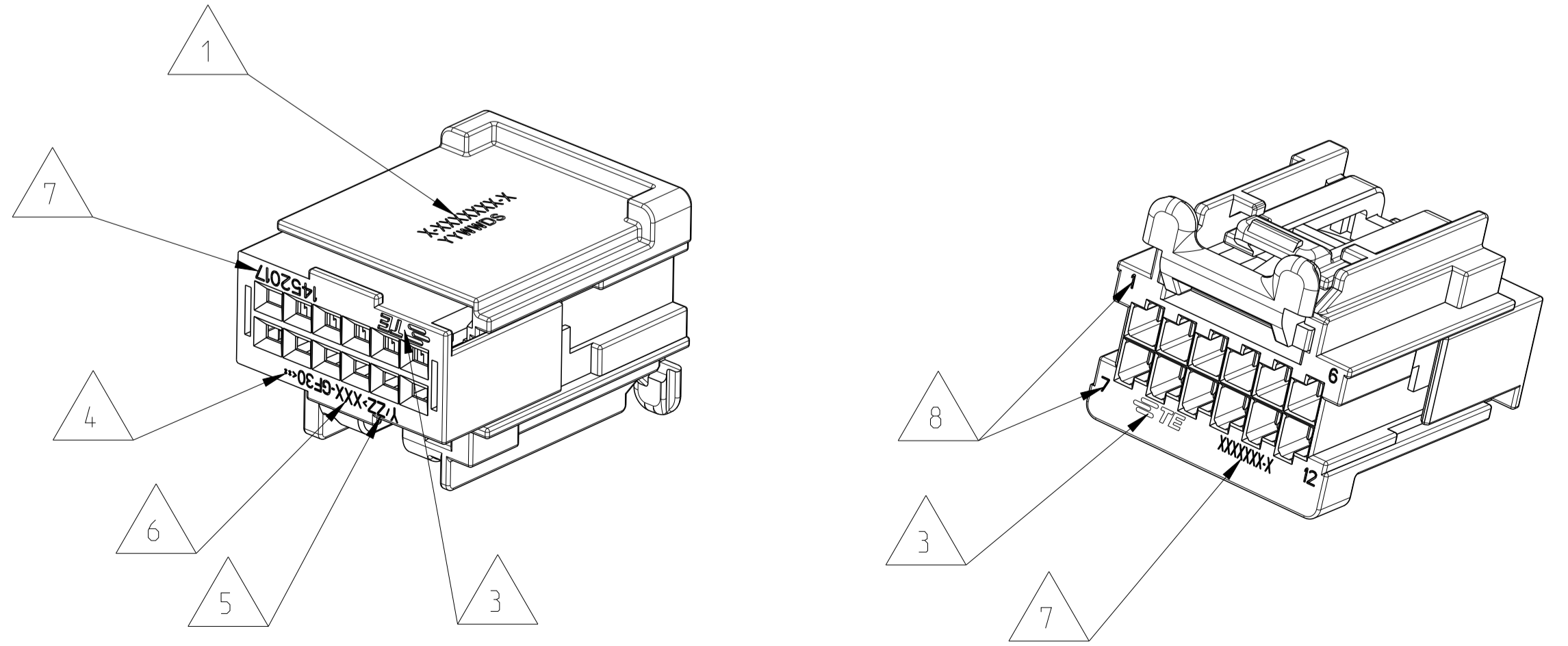
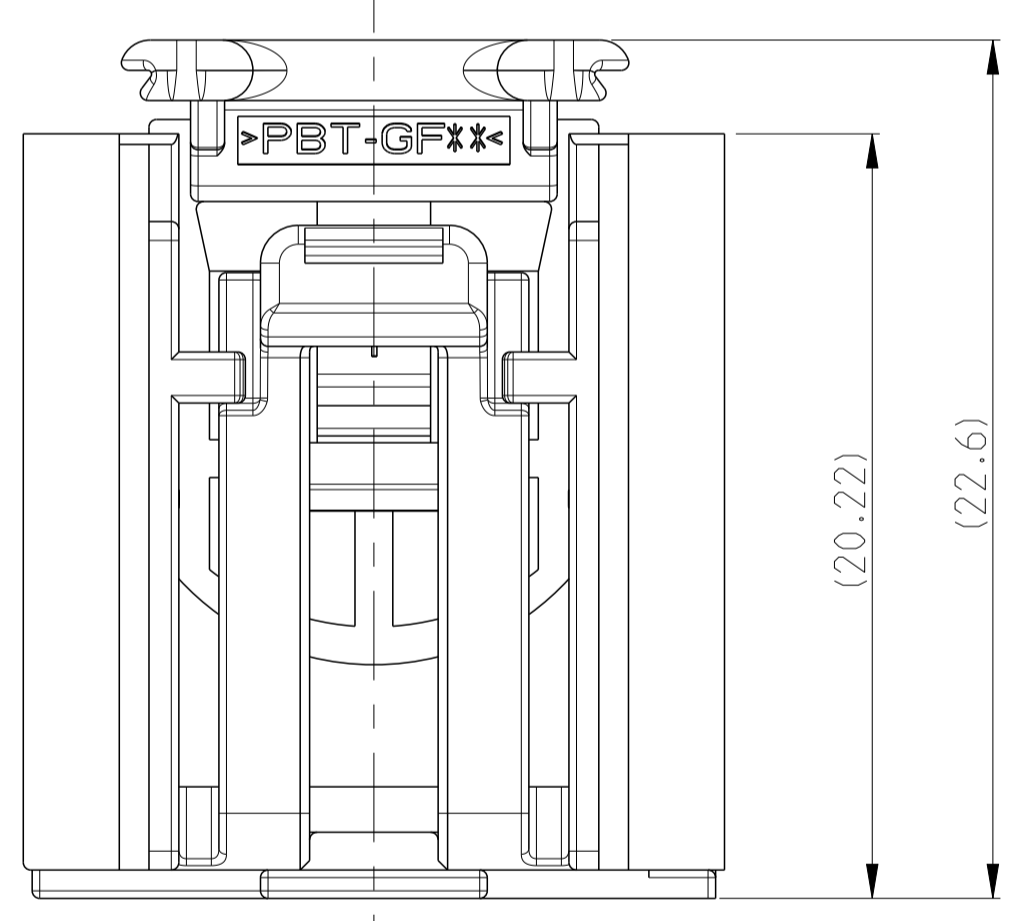
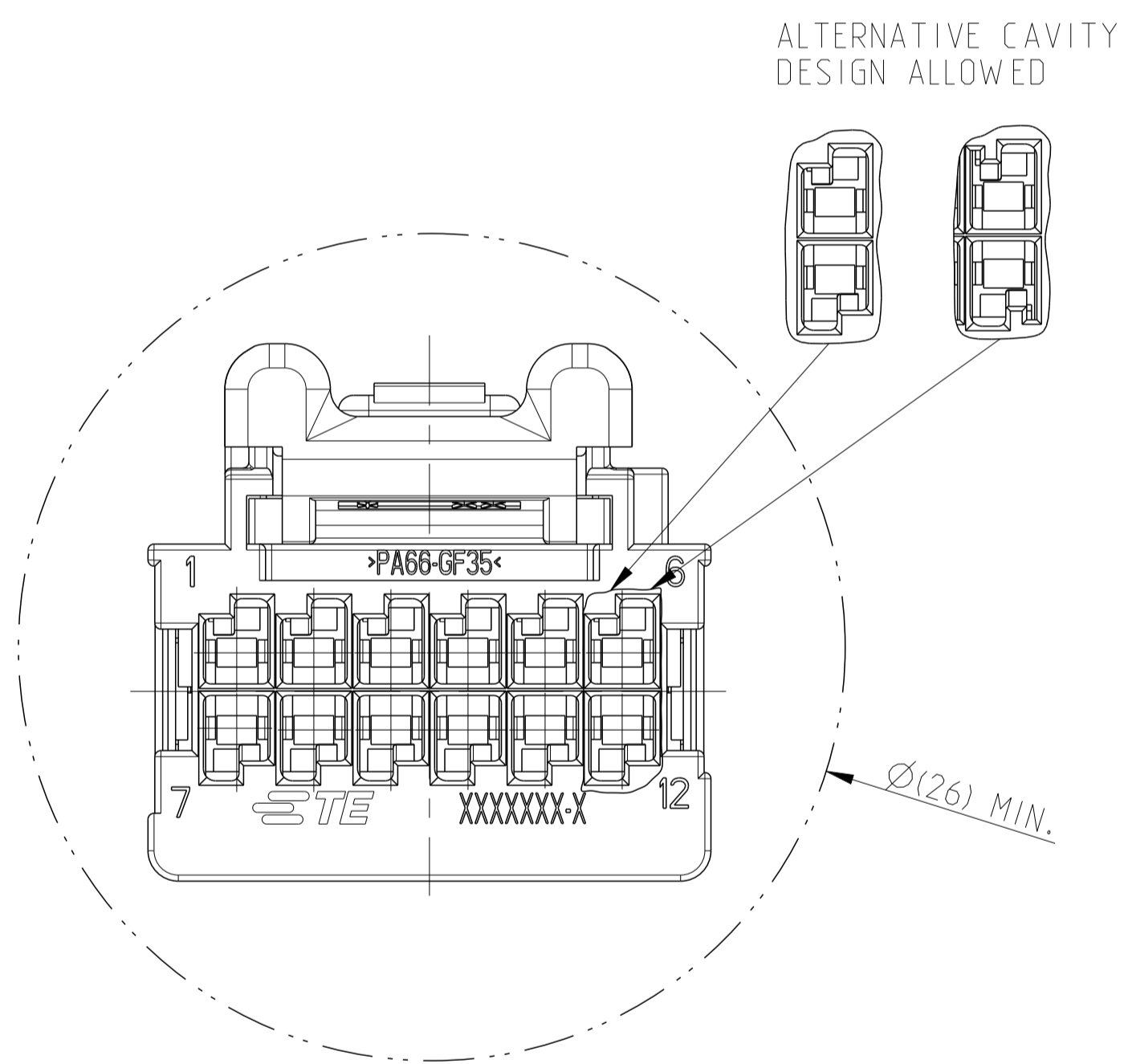
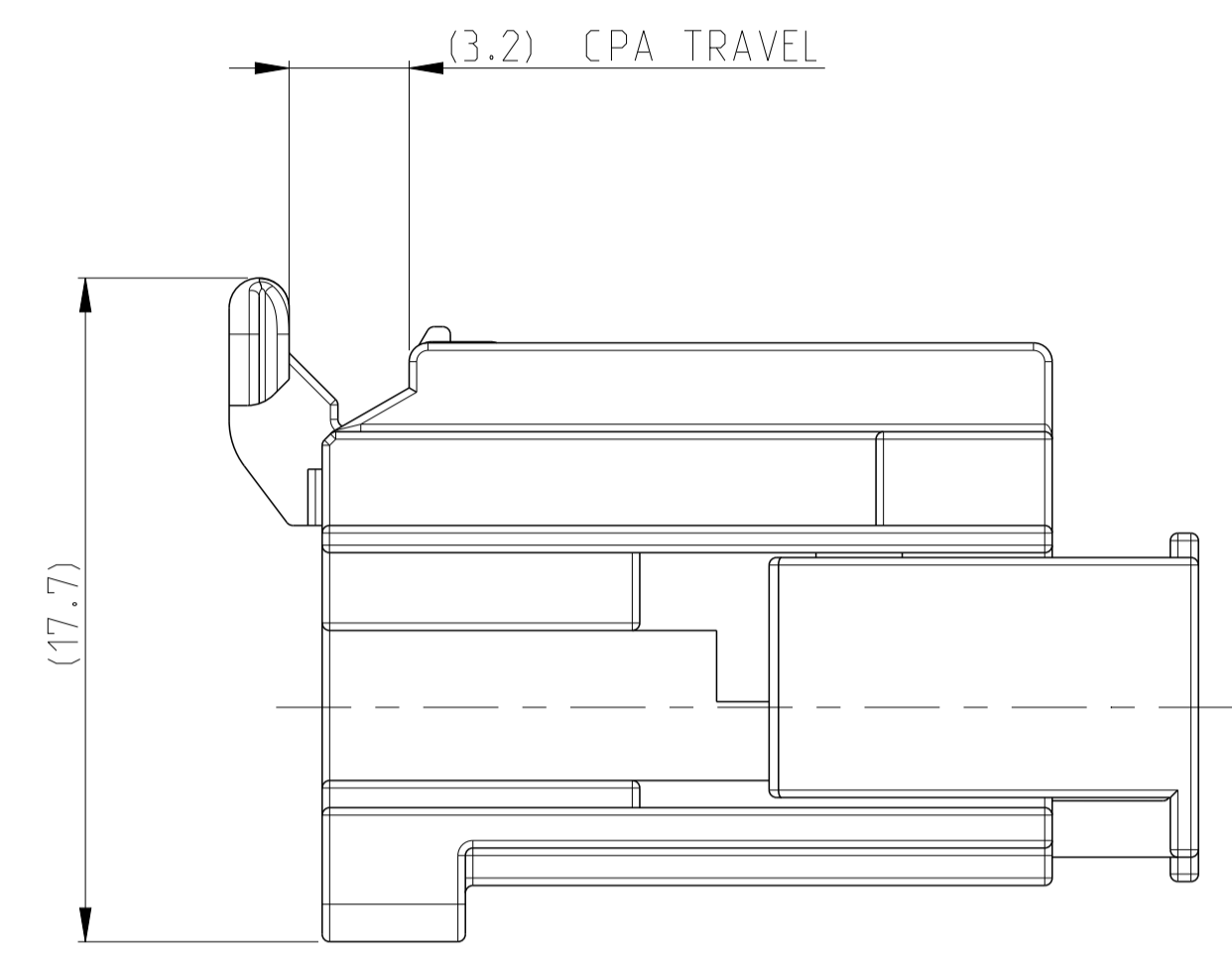
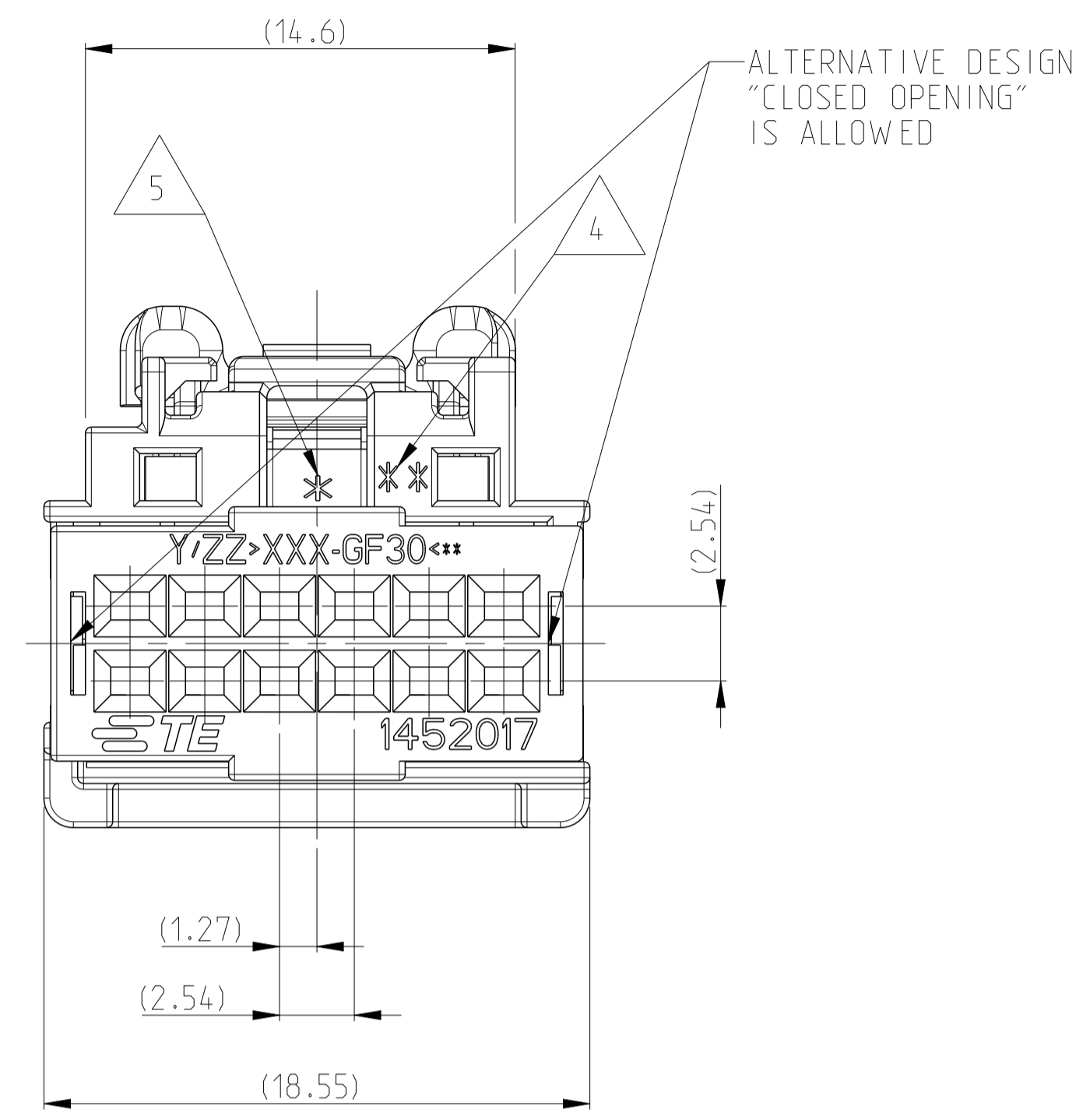
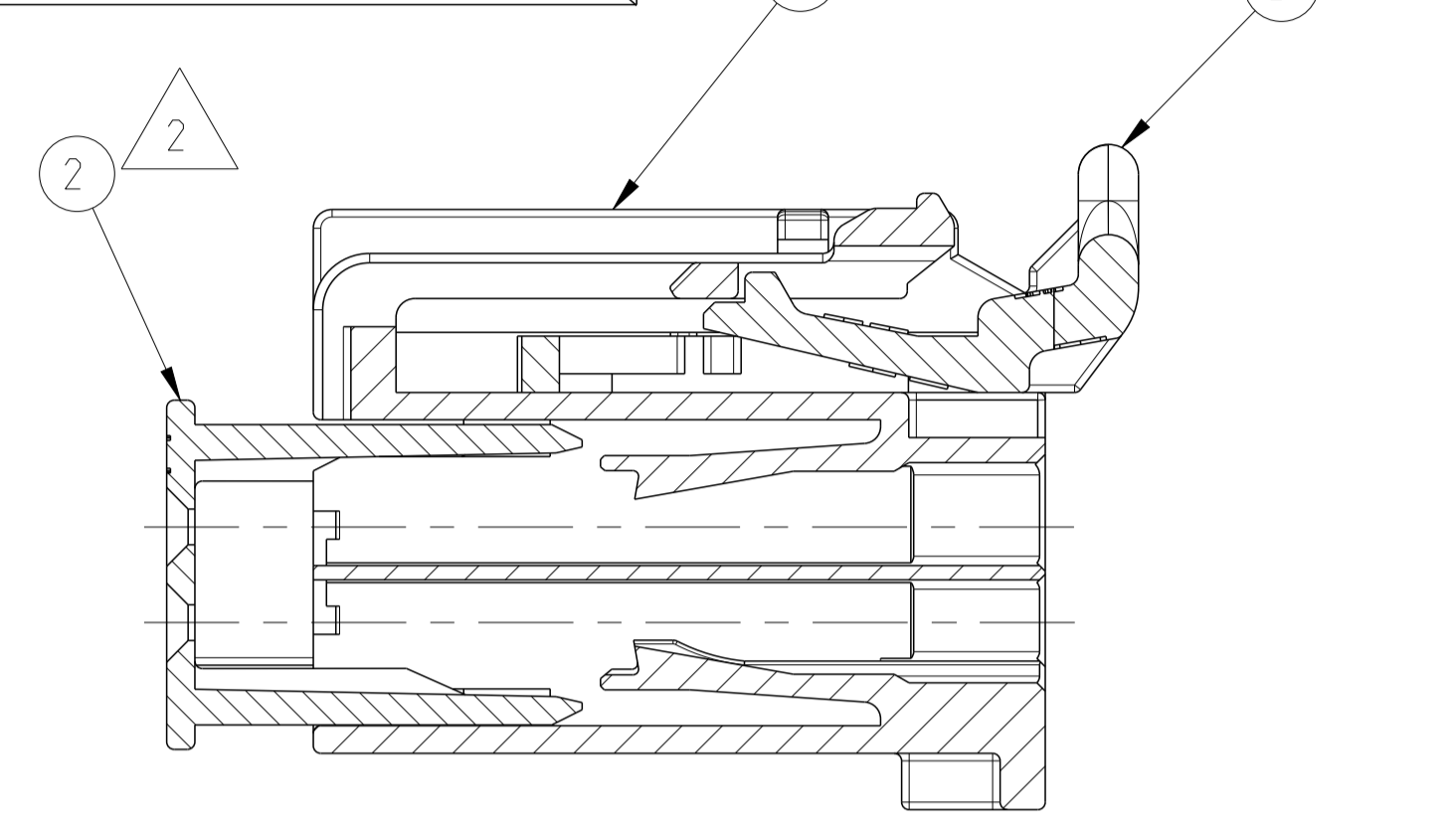
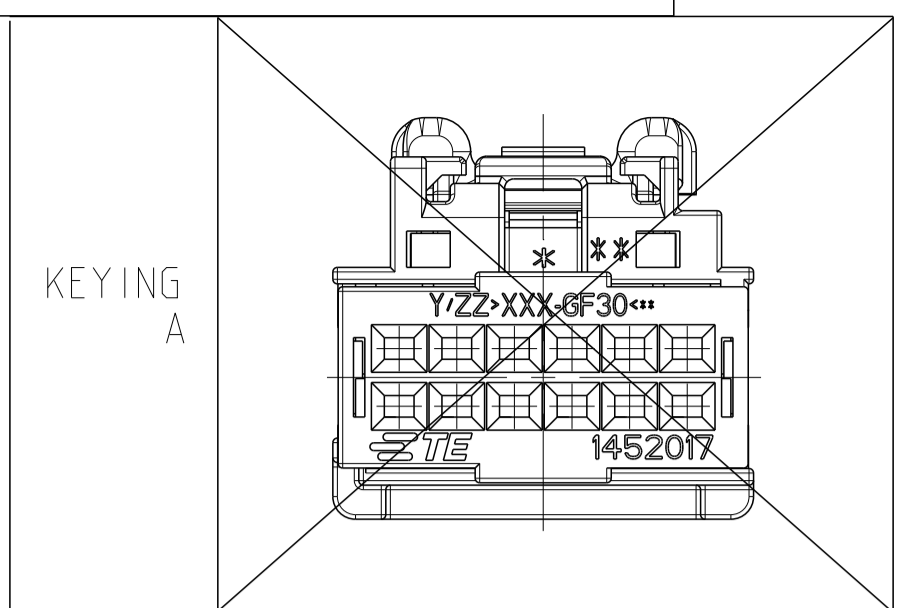
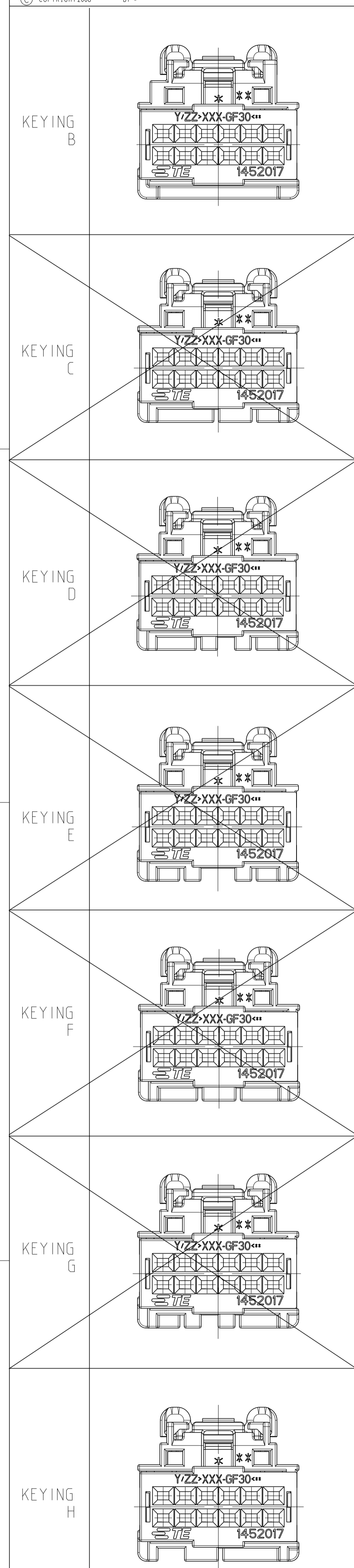


REVISIONS				
P.	LTH	DESCRIPTION	DATE	APVD
G2		SEE ECR-13-018050	19NOV2013	MS GS
G3		ECR-14-009941	02JUL2014	SS GS



- NOTES
Bemerkungen
- 1 TE-ORDER NUMBER AND TRACEABILITY
 - 2 SPACER AND CPA (OPTIONAL) ARE SHIPPED IN PRE-ASSEMBLED POSITIONS
 - 3 COMPANY LOGO (OPTIONAL)
 - 4 PRODUCT REVISIONS LEVEL
 - 5 TOOL NUMBER (OPTIONAL), CAVITY NUMBER
 - 6 MATERIAL IDENTIFICATION
 - 7 PART NUMBER
 - 8 TERMINAL POSITION NUMBERS LOCATED AS SHOWN
 - 9 PACKAGING: LAYER PACKED IN CONUGATED BOXES
 - 10 1-1452015-2 IS SHOWN

TE-ORDER-NUMBER	KEYING OPTIONS								CPA	PBT-GF20	RED	3
	H	G	F	E	D	C	B	A				
1-1452015-8												
0-1452015-8												
1-1452015-7												
0-1452015-7												
1-1452015-6												
0-1452015-6												
1-1452015-5												
0-1452015-5												
1-1452015-4												
0-1452015-4												
1-1452015-3												
0-1452015-3												
1-1452015-2												
0-1452015-2												
1-1452015-1												
0-1452015-1												

THIS DRAWING IS A CONTROLLED DOCUMENT.		OWN: B.van Sebroeck 21SEP2000		NAME: GET SOCKET HOUSING, 2x6POS.	
DIMENSIONS: mm		TOLERANCES UNLESS OTHERWISE SPECIFIED:		PRODUCT SPEC: -	
0 PLC: # # # #		1 PLC: # # # #		APPLICATION SPEC: -	
2 PLC: # # # #		3 PLC: # # # #		WEIGHT: -	
4 PLC: # # # #		ANGLES: # # # #		SIZE: A1	
MATERIAL: -		FINISH: -		CAGE CODE: 00779	
Customer Drawing		DRAWING NO: C=1452015		RESTRICTED TO: -	
		SCALE: 5:1		SHEET 1 OF 1	
				REV: G3	