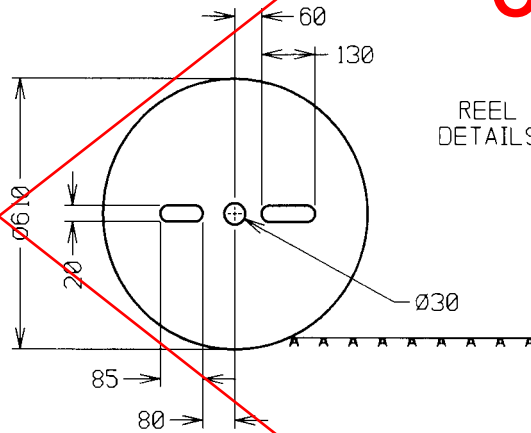
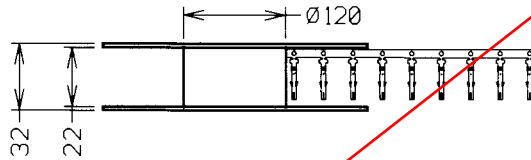
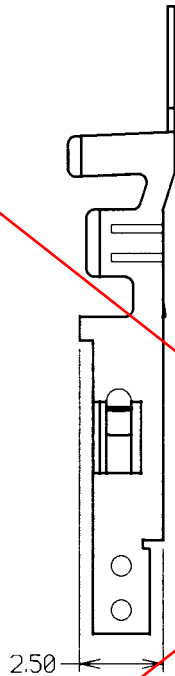
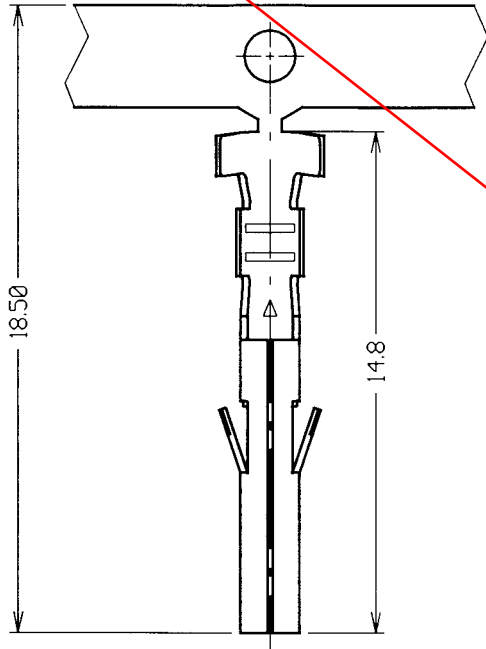


Customer Information Sheet

DRAWING No.: KF-460/461/4620006 SHEET 2 OF 2 IF IN DOUBT - ASK © NOT TO SCALE THIRD ANGLE PROJECTION ALL DIMENSIONS IN mm

ORDER CODE:
KF-46X0006
 SERIES CODE
 (SEE TABLE)



OBSOLETE

REEL DETAILS

HARWIN PART NUMBER	CRIMP PULL-OFF FORCE	WIRE SIZE
KF-4600006	88N MIN	16-20 AWC
KF-4610006	39N MIN	22-24 AWC
KF-4620006	9N MIN	26-28 AWC

JAE	2	01.08.03	7538
NAME	ISS.	DATE	C/NOTE
APPROVED: <i>[Signature]</i>			
CHECKED: <i>[Signature]</i>			
DRAWN:		W. J. BOURNE	
CUSTOMER REF.:			
ASSEMBLY DRG:			

- NOTES:
- FOR USE WITH CRIMP HOUSING KF-470XX00. RELEVANT SPECIFICATIONS ARE QUOTED ON THE CRIMP HOUSING DRAWING. FOR COMPLETE SPECIFICATION, SEE COMPONENT SPECIFICATION C033XX (LATEST ISSUE).
 - QUANTITY PER REEL = 5,000. PITCH OF CONTACTS ON CARRIER = 11mm.

HARWIN

HARWIN INC U.S.A. TEL: (812) 542 2546 FAX: (812) 542 2541	HARWIN PLC U.K. TEL: 023 9237 0451 FAX: 023 9231 4590	HARWIN PTE SINGAPORE TEL: 65 6779 4909 FAX: 65 6779 3868
--	--	---

THIS DRAWING AND ANY INFORMATION OR DESCRIPTIVE MATTER SET OUT HEREON ARE CONFIDENTIAL AND COPYRIGHT PROPERTY OF THE HARWIN GROUP AND MUST NOT BE DISCLOSED, LOANED, COPIED OR USED FOR MANUFACTURING, TENDERING OR FOR ANY OTHER PURPOSE WITHOUT THEIR WRITTEN PERMISSION.

TOLERANCES
 X - ±1mm
 X.X - ±0.25mm
 X.XX - ±0.10mm
 X.XXX - ±0.01mm
 ANGLES - ±5°
 UNLESS STATED

MATERIAL: BRASS
 FINISH: 0.5µ NICKEL, 2.0µ TIN
 S/AREA: mm²

TITLE: POWERFIT®
 4.2mm PITCH FEMALE
 CRIMP SOCKET (REELED)
 DRAWING NUMBER:
KF-460/461/4620006

SHT
 2
 OF
 2

Customer Information Sheet

DRAWING No.: KF-4600046

SHEET 2 OF 2

IF IN DOUBT - ASK

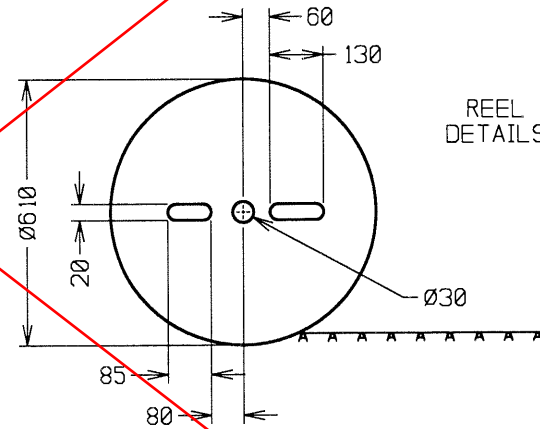
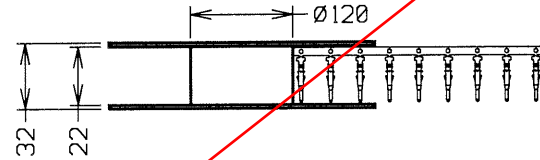
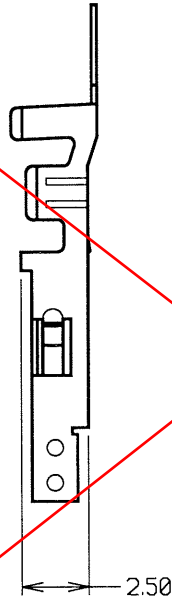
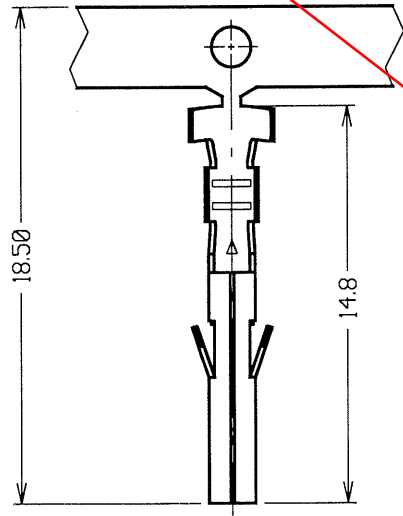
(C)

NOT TO SCALE

THIRD ANGLE PROJECTION

ALL DIMENSIONS IN mm

OBSOLETE



REEL DETAILS

NOTES:

1. FOR USE WITH WIRE SIZE 18-20 AWG.
2. CRIMP PULL-OFF FORCE = 88N MIN.
3. USE WITH CRIMP HOUSING KF-4700200 & KF-4700300. FOR COMPLETE SPECIFICATION SEE COMPONENT SPEC. C033XX (LATEST ISSUE).
4. FINISH: 2.0µ 100% TIN OVER 0.5µ NICKEL.
5. QUANTITY PER REEL = 5,000. PITCH OF CONTACTS ON CARRIER = 11mm.

JMB	1	28.06.06	----
NAME	ISS.	DATE	C/NOTE
APPROVED: <i>[Signature]</i>			
CHECKED: <i>[Signature]</i>			
DRAWN: JM BROOKES			
CUSTOMER REF.:			
ASSEMBLY DRG:			

HARWIN

HARWIN USA
TEL: 603 893 5376
FAX: 603 893 5396
mis@harwin.com

HARWIN Europe (UK)
TEL: 023 9231 4545
FAX: 023 9231 4590
mis@harwin.co.uk

HARWIN Asia
TEL: +65 6 779 4909
FAX: +65 6 779 3868
mis@harwin.com.sg

THIS DRAWING AND ANY INFORMATION OR DESCRIPTIVE MATTER SET OUT HEREON ARE CONFIDENTIAL AND COPYRIGHT PROPERTY OF THE HARWIN GROUP AND MUST NOT BE DISCLOSED, LOANED, COPIED OR USED FOR MANUFACTURING, TENDERING OR FOR ANY OTHER PURPOSE WITHOUT THEIR WRITTEN PERMISSION.

TOLERANCES
X. = ±1mm
X.X = ±0.25mm
X.XX = ±0.10mm
X.XXX = ±0.01mm
ANGLES = ±5°
UNLESS STATED

MATERIAL: BRASS
FINISH: SEE NOTE 4
S/AREA: mm²

TITLE: POWERFIT®
4.2mm PITCH FEMALE
CRIMP CONTACT (REELLED)
DRAWING NUMBER: KF-4600046
SHT 2 OF 3