

THIS DRAWING IS UNPUBLISHED.

RELEASED FOR PUBLICATION

20

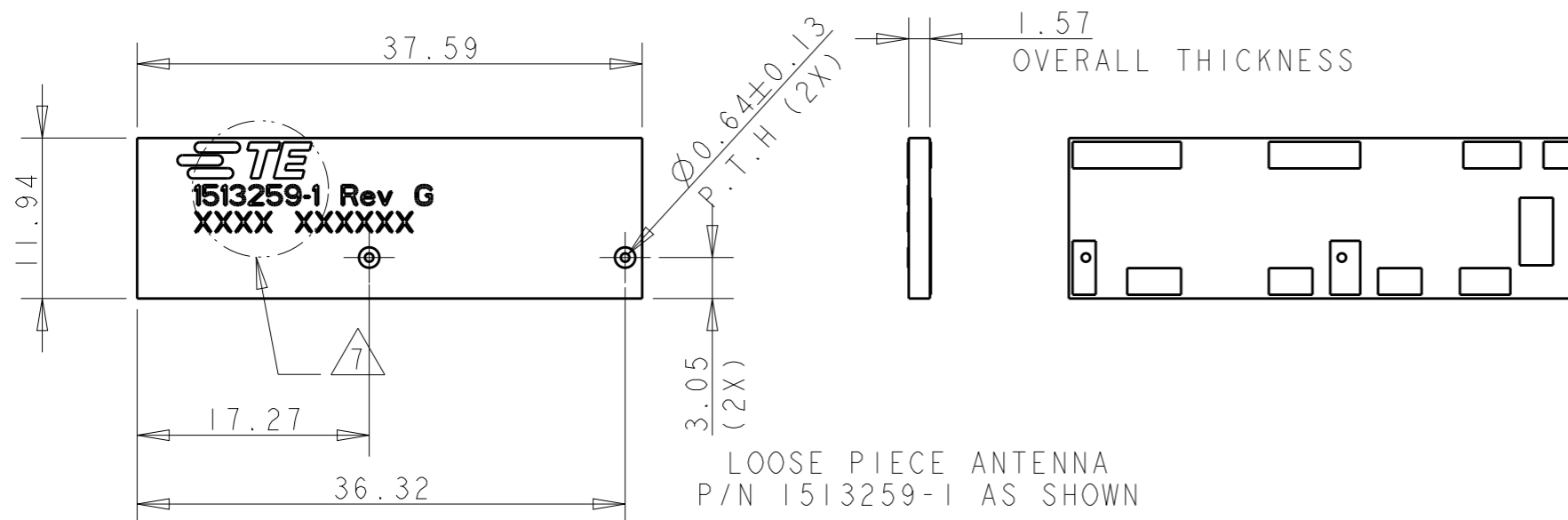
© COPYRIGHT 20 BY -

ALL RIGHTS RESERVED.

LOC HQ DIST 00

REVISIONS


P	LTR	DESCRIPTION	DATE	DWN	APVD
	E3	REVISED PER ECO-12-0016455	12SEP2012	DW	GG
	F	REVISED PER ECO-20-004473	27MAR2020	SJ	JH
	G	REVISED PER ECO-20-008821	24JUN2020	SJ	JH



NOTES: UNLESS OTHERWISE SPECIFIED.

- FABRICATE TO MEET IPC - 6012, CLASS 2. INSPECT TO MEET IPC - A - 600, CLASS 2.
- MATERIAL: FR-4 PCB, 1.57 THK.
- FINISH:
A: SOLDERMASK BOTH SIDES: ORANGE.
B: ENIG PLATING.
- PACKAGING: SINGULATED PARTS TO BE SECURELY SHRINK WRAPPED, BAGGED OR VACUUM PACKED IN BULK FOR TAPE AND REEL, SEE SHEET 2.
- CONSULT TE CONNECTIVITY DATA SHEET DSI513259.
- GENERAL TOLERANCES : ±0.2.
- SILKSCREEN; WHITE EPOXY INK.
A. TE LOGO, TE P/N
B. WORD REV., FOLLOWED BY THE LATEST REVISION LETTER, AS SHOWN.
C. 4 DIGIT DATE CODE: FIRST 2 DIGITS FOR THE WEEK CODE AND THE 2ND TWO DIGITS FOR THE YEAR CODE.
OTHERS: SPECIFIC TE SOURCE CODE NUMBER DIGITS AS REQUIRED.

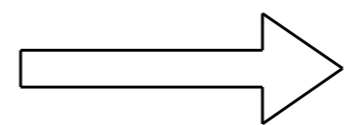
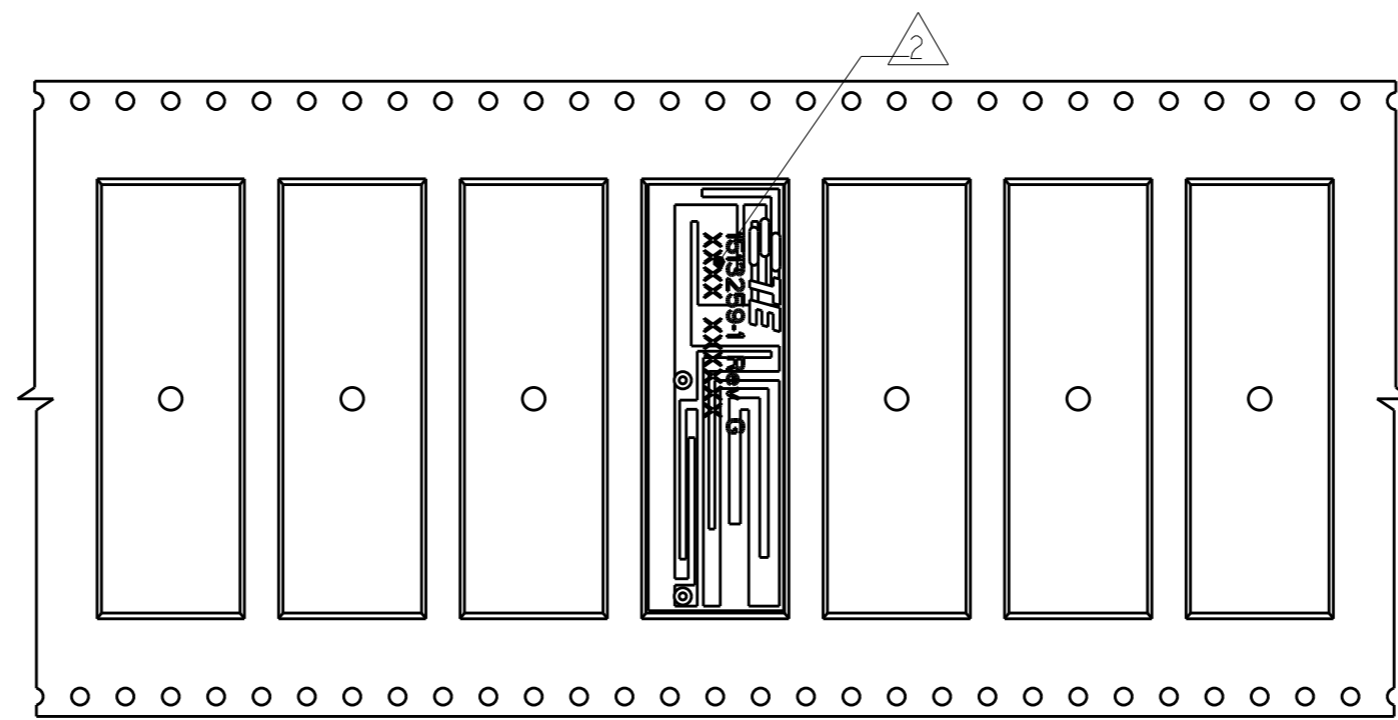
FOR BULK PACKAGING, ORDER P/N 1513259-1
FOR TAPE & REEL PACKAGING, ORDER P/N 1513259-9

THIS DRAWING IS A CONTROLLED DOCUMENT.		DWN DJL 13MAR2007	 TE Connectivity	
DIMENSIONS: mm		CHK -		
TOLERANCES UNLESS OTHERWISE SPECIFIED:		APVD -	PRODUCT SPEC -	
0 PLC ±-		PRODUCT SPEC -	APPLICATION SPEC -	
1 PLC ±-		APVD -	RESTRICTED TO	
2 PLC ±-		APVD -	SIZE A3	CAGE CODE 00779
3 PLC ±-		APVD -	DRAWING NO C=1513259	
4 PLC ±-		APVD -	SCALE 2:1	
ANGLES ±-		APVD -	SHEET 1 OF 2	
FINISH -		APVD -	REV G	
MATERIAL -		APVD -	CUSTOMER DRAWING	

THIS DRAWING IS UNPUBLISHED. RELEASED FOR PUBLICATION 20
 © COPYRIGHT 20 BY - ALL RIGHTS RESERVED.

LOC	DIST	REVISIONS			
P	LTR	DESCRIPTION	DATE	DWN	APVD
		SEE SHEET 1	-	-	-

1513259-9 AS SHOWN



UNREELING DIRECTION

NOTES: UNLESS OTHERWISE SPECIFIED.

1. REFER TO TE CONNECTIVITY DRAWING NO. C-1533293 (PN: 1533293-7) FOR PACKAGING CONTROLLED DOCUMENT SPECIFICATION.

2 ORIENT PARTS AS SHOWN.

3. PARTS ARE COMPLIANT TO RoHS STANDARDS PER TE CONNECTIVITY STANDARD TEC-138-702

4. ALL INFORMATION ON THIS DRAWING IS CONFIDENTIAL AND PROPRIETARY TO TE CONNECTIVITY.

THIS DRAWING IS A CONTROLLED DOCUMENT.		DWN DJL 13MAR2007		
DIMENSIONS: mm		CHK -		
TOLERANCES UNLESS OTHERWISE SPECIFIED:		APVD -	NAME World GSM Antenna	
0 PLC ±-		PRODUCT SPEC -	SIZE A3	
1 PLC ±-		APPLICATION SPEC -	CAGE CODE 00779	DRAWING NO C-1513259
2 PLC ±-		WEIGHT -	RESTRICTED TO	
3 PLC ±-		CUSTOMER DRAWING	SCALE 2:1	SHEET 2 OF 2
4 PLC ±-				REV G
ANGLES ±-				
FINISH -				