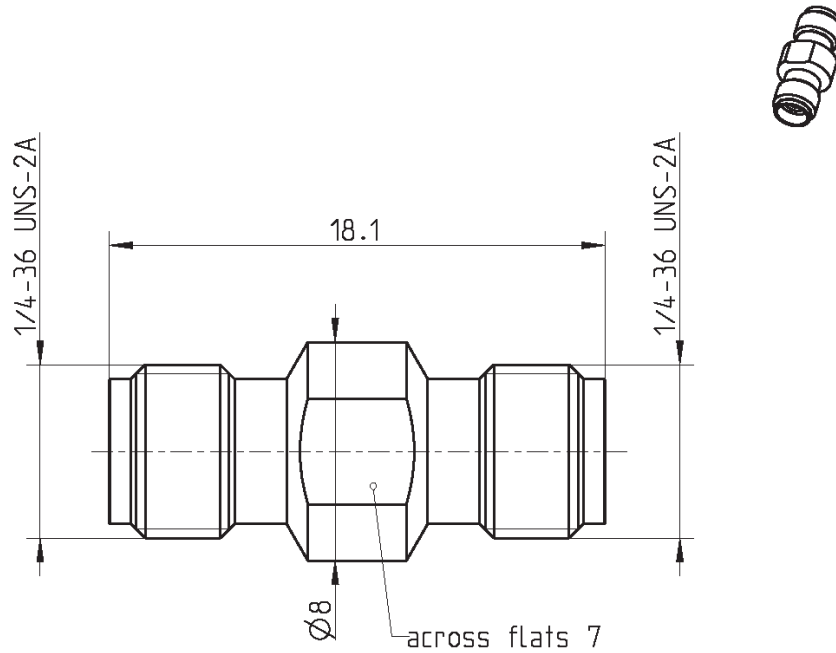


RPC-2.92 ADAPTOR
JACK - JACK

02K121-K00S3



All dimensions are in mm; tolerances according to ISO 2768 m-H

Interface

Mechanically compatible with RPC-3.50 and SMA

Documents

N/A

Material and plating

Connector parts	Material	Plating
Center contact	Beryllium copper	Gold, min. 1.27 µm, over chemical nickel
Outer contact	Stainless steel	Passivated
Dielectric	PS	

RPC-2.92 ADAPTOR
JACK - JACK

02K121-K00S3

Electrical data

Impedance	50 Ω
Frequency	DC to 40 GHz
Return loss	≥ 21 dB, DC to 40 GHz
Insertion loss	≤ 0.04 × √f(GHz) dB
Insulation resistance	≥ 5 GΩ
Center contact resistance	≤ 3.0 mΩ
Outer contact resistance	≤ 2.0 mΩ
Test voltage	750 V rms
Working voltage	250 V rms
RF-leakage	≥ 100 dB up to 1 GHz

Mechanical data

Mating cycles	≥ 500
Center contact captivation	≥ 22 N
Coupling test torque	1.70 Nm
Recommended torque	0.80 Nm to 1.10 Nm

Environmental data

Temperature range	-40°C to +85°C
Thermal shock	MIL-STD-202, Method 107, Condition B
Corrosion	MIL-STD-202, Method 101, Condition B
Vibration	MIL-STD-202, Method 204, Condition D
Shock	MIL-STD-202, Method 213, Condition I
Moisture resistance	MIL-STD-202, Method 106
2002/95/EC (RoHS)	compliant

Tooling

N/A

Suitable cables

N/A

Packing

Standard	1 pce in box
Weight	3.0 g/pce

While the information has been carefully compiled to the best of our knowledge, nothing is intended as representation or warranty on our part and no statement herein shall be construed as recommendation to infringe existing patents. In the effort to improve our products, we reserve the right to make changes judged to be necessary.

Draft	Date	Approved	Date	Rev.	Engineering change number	Name	Date
Herbert Babinger	06/12/04	Armin Maiwaelder	27/09/06	b00	06-0631	Manuela Fuehrich	27/09/06

Rosenberger Hochfrequenztechnik GmbH & Co. KG
P.O.Box 1260 D-84526 Tittmoning Germany
www.rosenberger.de

Tel.: +49 8684 18-0
Fax: +49 8684 18-499
email: info@rosenberger.de

Page
2 / 2