

THIS DRAWING CONTAINS INFORMATION THAT IS PROPRIETARY TO MOLEX ELECTRONIC TECHNOLOGIES, LLC AND SHOULD NOT BE USED WITHOUT WRITTEN PERMISSION

|  |  |                |  |                                    |  |                     |  |
|--|--|----------------|--|------------------------------------|--|---------------------|--|
| DIMENSION UNITS                                      |  | SCALE          |  | CURRENT REV DESC: REMASTERED TO NX |  |                     |  |
| mm   |  | NTS            |  |                                    |  |                     |  |
| GENERAL TOLERANCES (UNLESS SPECIFIED)                |  |                |  |                                    |  |                     |  |
| ANGULAR TOL ± 0.5°                                   |  |                |  |                                    |  |                     |  |
| 4 PLACES   |  | ±              |  | EC NO: 671119                      |  | 2021/06/21          |  |
| 3 PLACES   |  | ±              |  | DRWN: YOGEEB                       |  | 2022/01/28          |  |
| 2 PLACES   |  | ± 0.13         |  | CHK'D: MMALLIGEVALU                |  | 2022/02/18          |  |
| 1 PLACE  |  | ± 0.25         |  | APPR: CWANG25                      |  |                     |  |
| 0 PLACES   |  | ±              |  | INITIAL REVISION:                  |  |                     |  |
|  |  |                |  | DRWN: BPISZCZOR                    |  | 2006/06/06          |  |
|  |  |                |  | APPR: JLAURX                       |  | 2006/06/12          |  |
| DRAFT WHERE APPLICABLE MUST REMAIN WITHIN DIMENSIONS |  |                |  | THIRD ANGLE PROJECTION             |  | DRAWING SERIES      |  |
|  |  |                |  | C-SIZE                             |  | 75705               |  |
| DOCUMENT STATUS                                      |  | P1             |  | RELEASE DATE                       |  | 2022/02/18 05:03:50 |  |
| DOCUMENT NUMBER                                      |  | SD-75705-004   |  | DOC TYPE                           |  | PSD                 |  |
| CUSTOMER   |  | GENERAL MARKET |  | DOC PART                           |  | 001                 |  |
| SHEET NUMBER   |  | 1 OF 4         |  | REVISION                           |  | E1                  |  |

**molex**

I-TRAC BACKPLANE HEADER  
GUIDE RIGHT ASSEMBLY SALES DRAWING

PRODUCT CUSTOMER DRAWING

# 75705-\*\*\*\*

MODULE TYPE -- TAIL PLATING TYPE  
 GUIDE RIGHT -- TIN ONLY = 4 (PREVIOUSLY TIN/LEAD)  
 GUIDE RIGHT -- TIN ONLY = 5  
 GUIDE RIGHT W/END -- TIN ONLY = 8 (PREVIOUSLY TIN/LEAD)  
 GUIDE RIGHT W/END -- TIN ONLY = 9

# OF COLUMNS  
 5 = 5 COL  
 6 = 6 COL  
 8 = 8 COL  
 1 = 10 COL

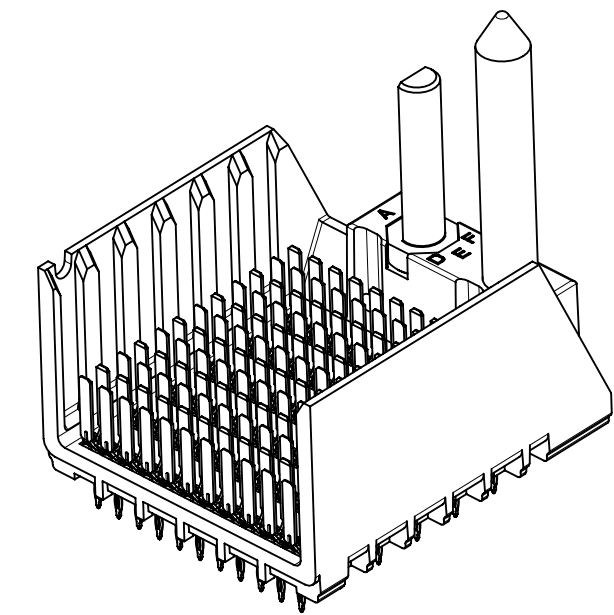
KEY ORIENTATION  
 0 = NO KEY  
 1 = A  
 2 = B  
 3 = C  
 4 = D  
 5 = E  
 6 = F  
 7 = G  
 8 = H

PIN LENGTH (P)  
 2 = 3.90 - 30 GOLD  
 3 = 4.70 - 30 GOLD  
 4 = 5.70 - 30 GOLD  
 5 = 4.70 & 5.70 - 30 GOLD STAGGERED  
 6 = 3.90 - 10 GOLD  
 7 = 4.70 - 10 GOLD  
 8 = 5.70 - 10 GOLD  
 9 = 4.70 & 5.70 - 10 GOLD STAGGERED

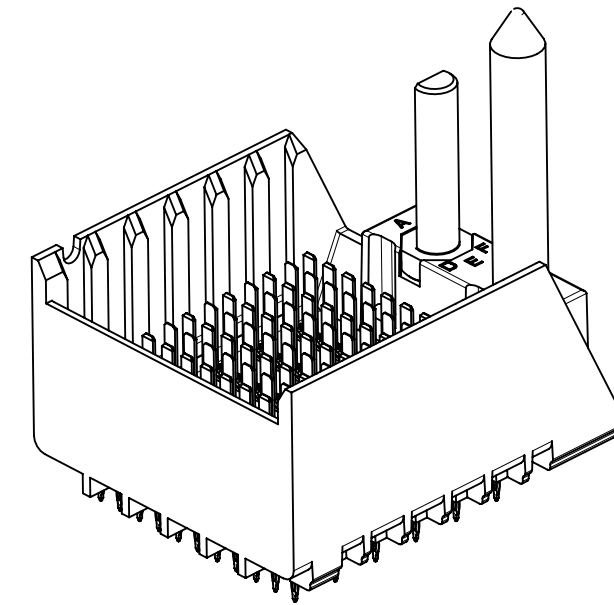
| MATERIAL NUMBER | # OF COLUMNS | DIM "A" | DIM "B" |
|-----------------|--------------|---------|---------|
| 75705-5**       | 5            | 24.8    | 14.80   |
| 75705-6**       | 6            | 28.5    | 18.50   |
| 75705-8**       | 8            | 35.9    | 25.90   |
| 75705-1**       | 10           | 43.3    | 33.30   |

| MATERIAL NUMBER | # OF COLUMNS | DIM "A" | DIM "B" |
|-----------------|--------------|---------|---------|
| 75705-5**       | 5            | 26.1    | 14.80   |
| 75705-6**       | 6            | 29.8    | 18.50   |
| 75705-8**       | 8            | 37.2    | 25.90   |
| 75705-1**       | 10           | 44.6    | 33.30   |

GUIDE RIGHT STYLE



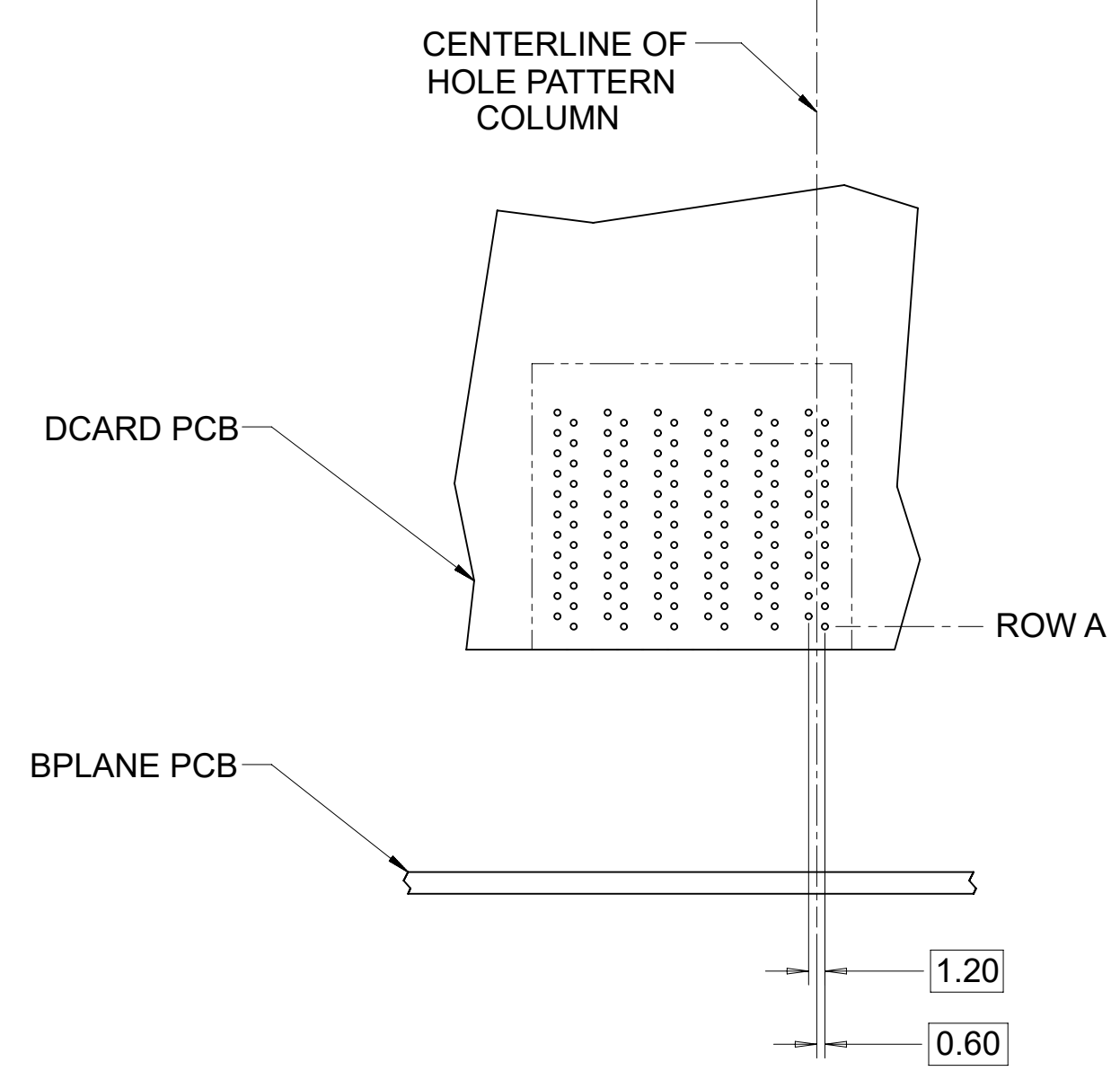
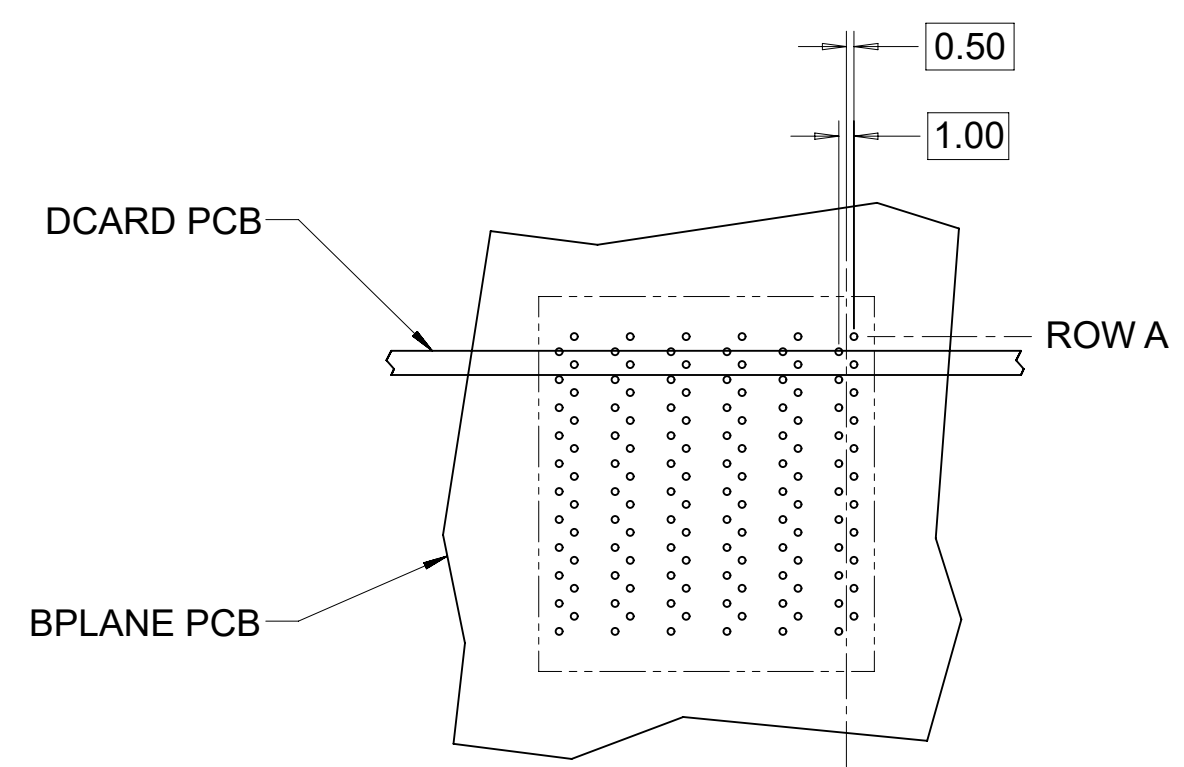
GUIDE RIGHT W/END STYLE



NOTES:

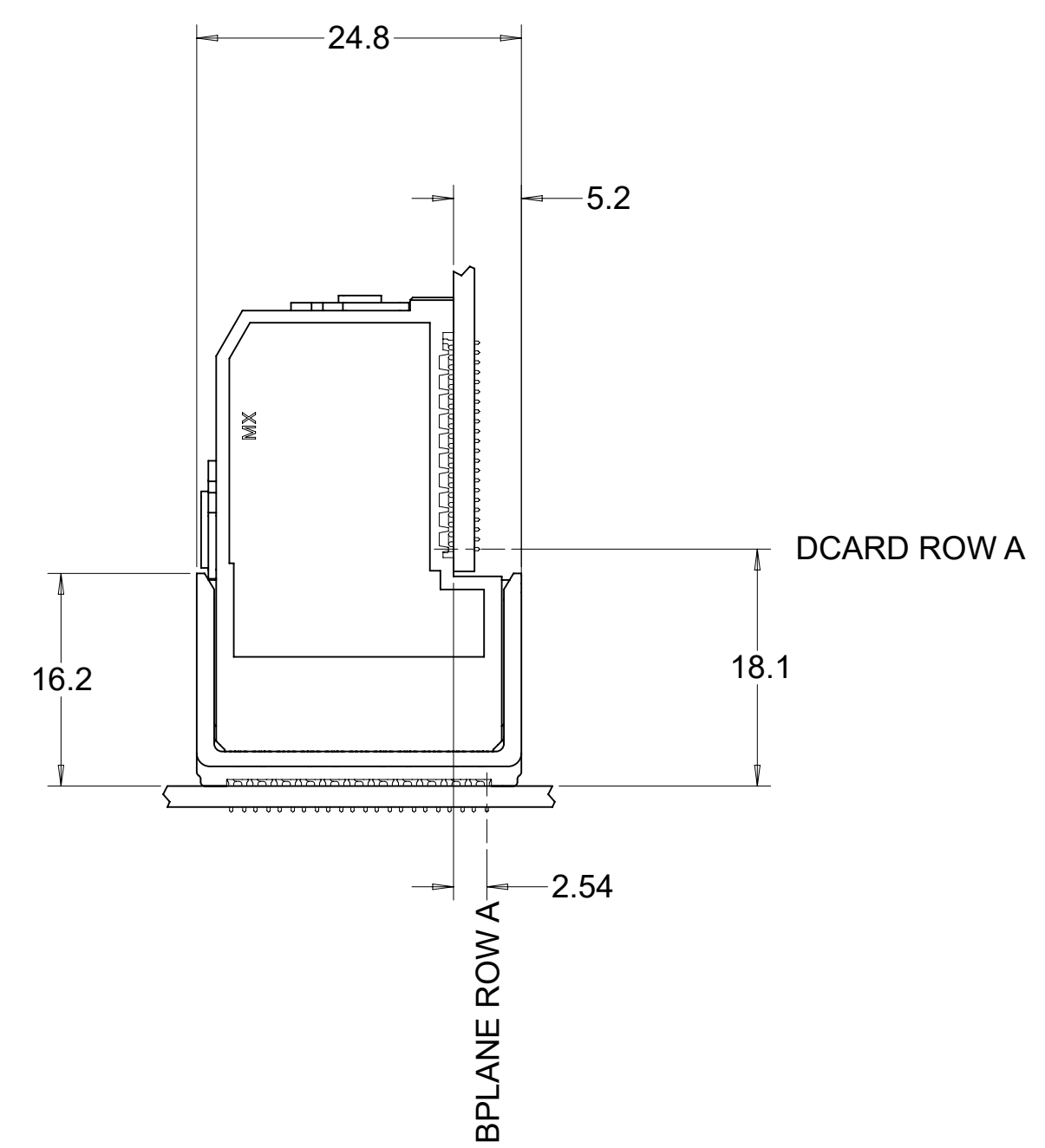
- MATERIALS: HOUSING - LIQUID CRYSTAL POLYMER (LCP)  
GLASS-FILLED, UL94V-0  
TERMINALS - HIGH PERFORMANCE COPPER ALLOY
- FINISH: 10 MICROINCH MINIMUM GOLD OR 30 MICROINCH MINIMUM GOLD  
IN CONTACT AREA. SELECTIVE MATTE TIN ON PCB TAILS,  
NICKEL OVERALL.
- REFER TO MOLEX PRODUCT SPECIFICATION PS-75710-999  
FOR PERFORMANCE SPECIFICATIONS.
- FOR MIXED CONTACT MATING LENGTHS, CONSULT MOLEX  
FOR AVAILABILITY.
- THIS PART CONFORMS TO CLASS B REQUIREMENTS OF  
MOLEX COSMETIC SPEC PS-45499-002.
- PACKAGE PER: PK-70873-587.
- GUIDED PARTS TO BE SHIPPED WITH 2-56 UNC B SCREW P/N 73774-1000.
- FOR GROUNDED GUIDE PINS USE DIA 3.56+/-0.08 (PTH)  
DIA 3.66 (DRILL), AND DIA 6.5 (PAD).
- REFER TO PCB ROUTING GUIDE FOR ANTIPAD AND ROUTING RECOMMENDATIONS.

|   |  |       |  |                                    |  |                     |  |   |  |                |  |
|---|--|-------|--|------------------------------------|--|---------------------|--|---|--|----------------|--|
| THIS DRAWING CONTAINS INFORMATION THAT IS PROPRIETARY TO MOLEX ELECTRONIC TECHNOLOGIES, LLC AND SHOULD NOT BE USED WITHOUT WRITTEN PERMISSION |  |       |  |                                    |  |                     |  |   |  |                |  |
| DIMENSION UNITS   |  | SCALE |  | CURRENT REV DESC: REMASTERED TO NX |  |                     |  |   |  |                |  |
| mm  |  | NTS   |  |                                    |  |                     |  |   |  |                |  |
| GENERAL TOLERANCES (UNLESS SPECIFIED)   |  |       |  | EC NO: 671119                      |  | 2021/06/21          |  | I-TRAC BACKPLANE HEADER<br>GUIDE RIGHT ASSEMBLY SALES DRAWING<br>PRODUCT CUSTOMER DRAWING |  |                |  |
| ANGULAR TOL ± 0.5°  |  |       |  | DRWN: YOGEEB                       |  | 2022/01/28          |  |   |  |                |  |
| 4 PLACES ±  |  |       |  | CHK'D: MMALLIGEVALU                |  | 2022/02/18          |  | DOCUMENT NUMBER<br><b>SD-75705-004</b>  |  |                |  |
| 3 PLACES ±  |  |       |  | APPR: CWANG25                      |  |                     |  |   |  |                |  |
| 2 PLACES ± 0.13   |  |       |  | INITIAL REVISION:                  |  | 2006/06/06          |  | PSD   |  | 001            |  |
| 1 PLACE ± 0.25  |  |       |  | DRWN: BPISZCZOR                    |  | 2006/06/12          |  | E1  |  |                |  |
| 0 PLACES ±  |  |       |  | APPR: JLAURX                       |  |                     |  | MATERIAL NUMBER   |  | CUSTOMER       |  |
| DRAFT WHERE APPLICABLE MUST REMAIN WITHIN DIMENSIONS  |  |       |  | THIRD ANGLE PROJECTION             |  | DRAWING             |  | SERIES  |  | SHEET NUMBER   |  |
|   |  |       |  |                                    |  | C-SIZE              |  | 75705   |  | 2 OF 4         |  |
| DOCUMENT STATUS   |  | P1    |  | RELEASE DATE                       |  | 2022/02/18 05:03:50 |  | SEE TABLE   |  | GENERAL MARKET |  |

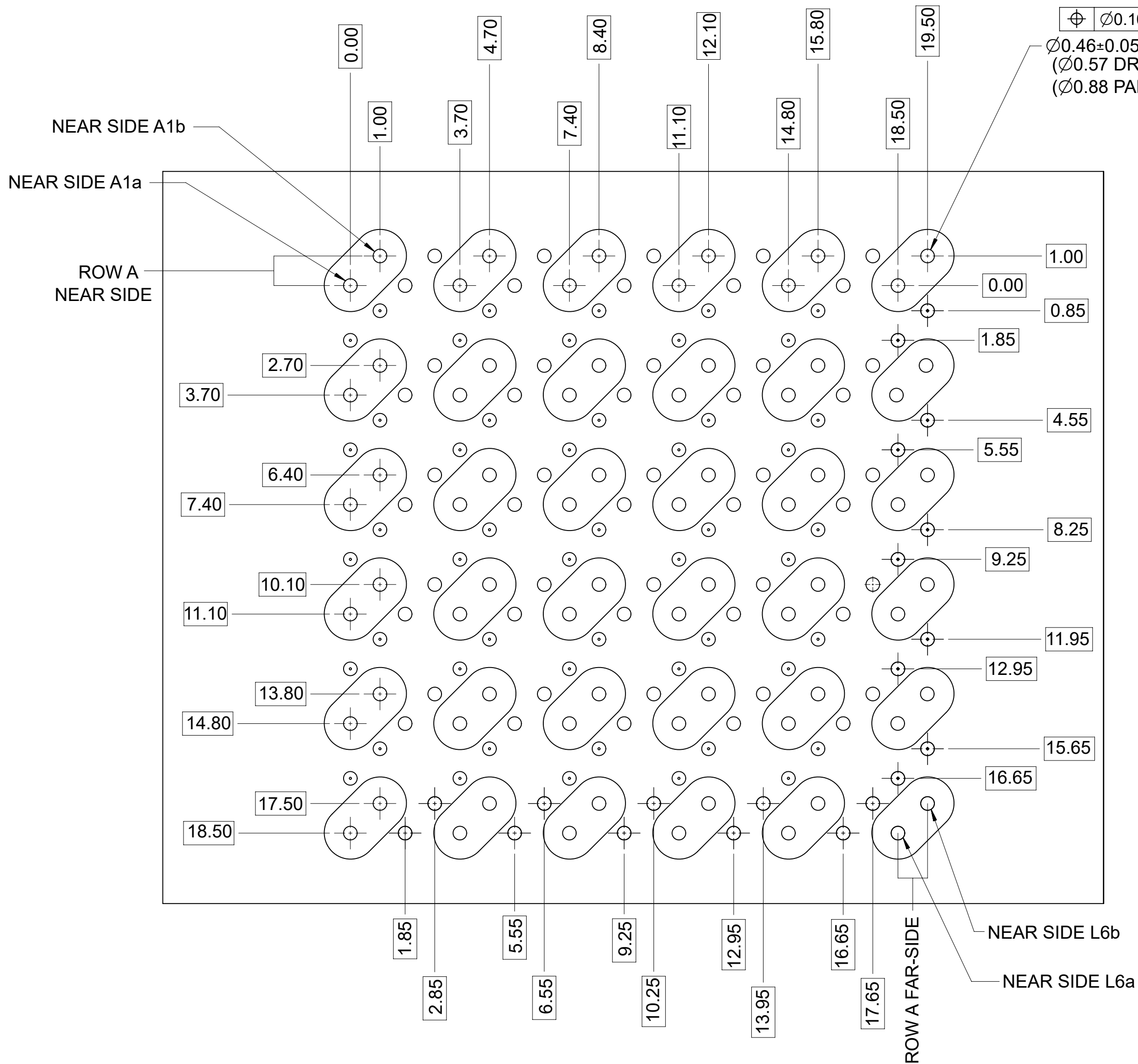


**I-TRAC 11 ROW BOARD RELATIONSHIPS**

SCALE 2:1



|   |  |       |  |  |  |                |  |              |  |                 |  |
|---|--|-------|--|--|--|----------------|--|--------------|--|-----------------|--|
| THIS DRAWING CONTAINS INFORMATION THAT IS PROPRIETARY TO MOLEX ELECTRONIC TECHNOLOGIES, LLC AND SHOULD NOT BE USED WITHOUT WRITTEN PERMISSION |  |       |  |  |  |                |  |              |  |                 |  |
| DIMENSION UNITS   |  | SCALE |  | CURRENT REV DESC: REMASTERED TO NX   |  |                |  | <b>molex</b> |  |                 |  |
| mm  |  | NTS   |  |  |  |                |  |              |  |                 |  |
| GENERAL TOLERANCES (UNLESS SPECIFIED)   |  |       |  | EC NO: 671119<br>DRWN: YOGEEB 2021/06/21<br>CHK'D: MMALLIGEVALU 2022/01/28<br>APPR: CWANG25 2022/02/18<br>INITIAL REVISION:<br>DRWN: BPISZCZOR 2006/06/06<br>APPR: JLAURX 2006/06/12 |  |                |  |              |  |                 |  |
| ANGULAR TOL ± 0.5°  |  |       |  |  |  |                |  |              |  |                 |  |
| 4 PLACES ±  |  |       |  |  |  |                |  |              |  |                 |  |
| 3 PLACES ±  |  |       |  |  |  |                |  |              |  |                 |  |
| 2 PLACES ± 0.13   |  |       |  |  |  |                |  |              |  |                 |  |
| 1 PLACE ± 0.25  |  |       |  | DOCUMENT NUMBER  |  | DOC TYPE       |  | DOC PART     |  | REVISION        |  |
| 0 PLACES ±  |  |       |  | SD-75705-004   |  | PSD            |  | 001          |  | E1              |  |
| DRAFT WHERE APPLICABLE MUST REMAIN WITHIN DIMENSIONS  |  |       |  | THIRD ANGLE PROJECTION   |  | DRAWING        |  | SERIES       |  | MATERIAL NUMBER |  |
|   |  |       |  |  |  | C-SIZE         |  | 75705        |  | SEE TABLE       |  |
|   |  |       |  |  |  | GENERAL MARKET |  |              |  | SHEET NUMBER    |  |
|   |  |       |  |  |  |                |  |              |  | 3 OF 4          |  |



### ORTHO PIN MAPPING

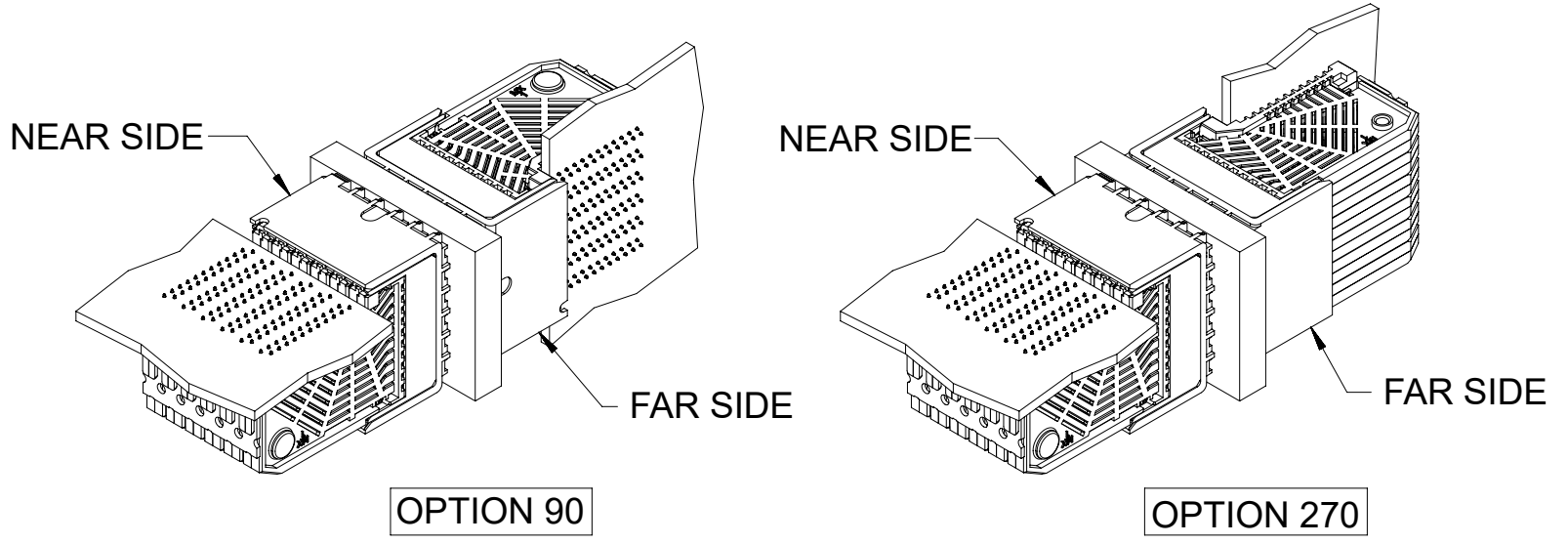
OPTION 90 (NEAR SIDE - FAR SIDE)

|         |         |         |         |         |         |
|---------|---------|---------|---------|---------|---------|
| A1b-L6b | A2b-J6b | A3b-G6b | A4b-E6b | A5b-C6b | A6b-A6b |
| A1a-L6a | A2a-J6a | A3a-G6a | A4a-E6a | A5a-C6a | A6a-A6a |
| C1b-L5b | C2b-J5b | C3b-G5b | C4b-E5b | C5b-C5b | C6b-A5b |
| C1a-L5a | C2a-J5a | C3a-G5a | C4a-E5a | C5a-C5a | C6a-A5a |
| E1b-L4b | E2b-J4b | E3b-G4b | E4b-E4b | E5b-C4b | E6b-A4b |
| E1a-L4a | E2a-J4a | E3a-G4a | E4a-E4a | E5a-C4a | E6a-A4a |
| G1b-L3b | G2b-J3b | G3b-G3b | G4b-E3b | G5b-C3b | G6b-A3b |
| G1a-L3a | G2a-J3a | G3a-G3a | G4a-E3a | G5a-C3a | G6a-A3a |
| J1b-L2b | J2b-J2b | J3b-G2b | J4b-E2b | J5b-C2b | J6b-A2b |
| J1a-L2a | J2a-J2a | J3a-G2a | J4a-E2a | J5a-C2a | J6a-A2a |
| L1b-L1b | L2b-J1b | L3b-G1b | L4b-E1b | L5b-C1b | L6b-A1b |
| L1a-L1a | L2a-J1a | L3a-G1a | L4a-E1a | L5a-C1a | L6a-A1a |

### ORTHO PIN MAPPING

OPTION 270 (NEAR SIDE - FAR SIDE)

|         |         |         |         |         |         |
|---------|---------|---------|---------|---------|---------|
| A1b-A1a | A2b-C1a | A3b-E1a | A4b-G1a | A5b-J1a | A6b-L1a |
| A1a-A1b | A2a-C1b | A3a-E1b | A4a-G1b | A5a-J1b | A6a-L1b |
| C1b-A2a | C2b-C2a | C3b-E2a | C4b-G2a | C5b-J2a | C6b-L2a |
| C1a-A2b | C2a-C2b | C3a-E2b | C4a-G2b | C5a-J2b | C6a-L2b |
| E1b-A3a | E2b-C3a | E3b-E3a | E4b-G3a | E5b-J3a | E6b-L3a |
| E1a-A3b | E2a-C3b | E3a-E3b | E4a-G3b | E5a-J3b | E6a-L3b |
| G1b-A4a | G2b-C4a | G3b-E4a | G4b-G4a | G5b-J4a | G6b-L4a |
| G1a-A4b | G2a-C4b | G3a-E4b | G4a-G4b | G5a-J4b | G6a-L4b |
| J1b-A5a | J2b-C5a | J3b-E5a | J4b-G5a | J5b-J5a | J6b-L5a |
| J1a-A5b | J2a-C5b | J3a-E5b | J4a-G5b | J5a-J5b | J6a-L5b |
| L1b-A6a | L2b-C6a | L3b-E6a | L4b-G6a | L5b-J6a | L6b-L6a |
| L1a-A6b | L2a-C6b | L3a-E6b | L4a-G6b | L5a-J6b | L6a-L6b |



- NOTES:
- SIGNAL PAIRS (SHARED VIAS)
  - NEAR SIDE GROUNDS
  - FAR SIDE GROUNDS

### Orthogonal PCB Layout

THIS DRAWING CONTAINS INFORMATION THAT IS PROPRIETARY TO MOLEX ELECTRONIC TECHNOLOGIES, LLC AND SHOULD NOT BE USED WITHOUT WRITTEN PERMISSION

|   |        |                                    |   |                 |              |
|---|--------|------------------------------------|---|-----------------|--------------|
| DIMENSION UNITS   | SCALE  | CURRENT REV DESC: REMASTERED TO NX | <b>molex</b>  |                 |              |
| mm  | NTS    |                                    |   |                 |              |
| GENERAL TOLERANCES (UNLESS SPECIFIED)                   |        |                                    | I-TRAC BACKPLANE HEADER<br>GUIDE RIGHT ASSEMBLY SALES DRAWING |                 |              |
| ANGULAR TOL   | ± 0.5° | EC NO: 671119                      | PRODUCT CUSTOMER DRAWING                                      |                 |              |
| 4 PLACES  | ±      | DRWN: YOGEEB                       | 2021/06/21  |                 |              |
| 3 PLACES  | ±      | CHK'D: MMALLIGEVALU                | 2022/01/28  |                 |              |
| 2 PLACES  | ± 0.13 | APPR: CWANG25                      | 2022/02/18  |                 |              |
| 1 PLACE   | ± 0.25 | INITIAL REVISION:                  |   | DOCUMENT NUMBER |              |
| 0 PLACES  | ±      | DRWN: BPISZCZOR                    | 2006/06/06  | SD-75705-004    |              |
|   |        | APPR: JLAURX                       | 2006/06/12  | DOC TYPE        | DOC PART     |
| DRAFT WHERE APPLICABLE<br>MUST REMAIN WITHIN DIMENSIONS |        | THIRD ANGLE PROJECTION             | DRAWING   | SERIES          | SHEET NUMBER |
|   |        |                                    | C-SIZE  | 75705           | 4 OF 4       |
|   |        |                                    | MATERIAL NUMBER   | CUSTOMER        |              |
|   |        |                                    | SEE TABLE   | GENERAL MARKET  |              |
|   |        |                                    | PSD   | 001             | E1           |