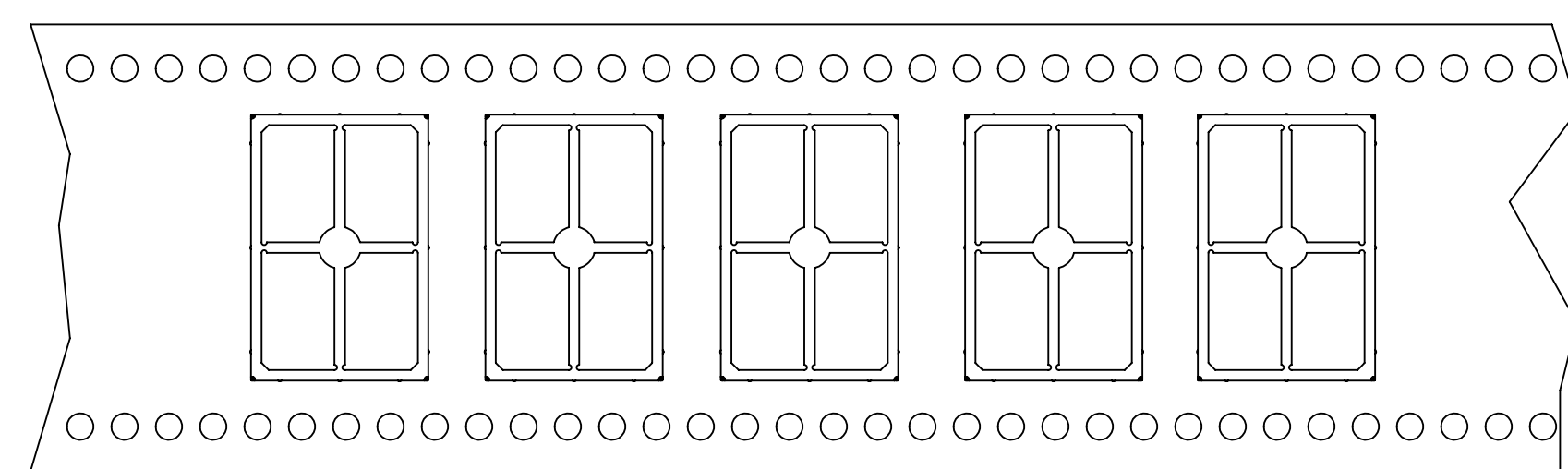
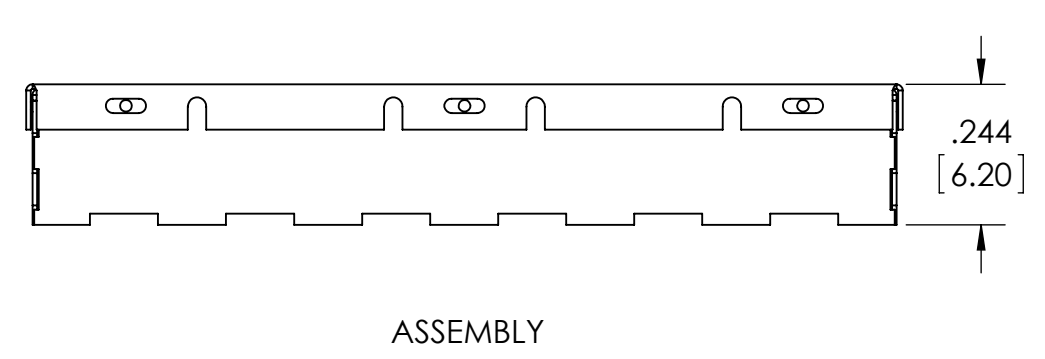
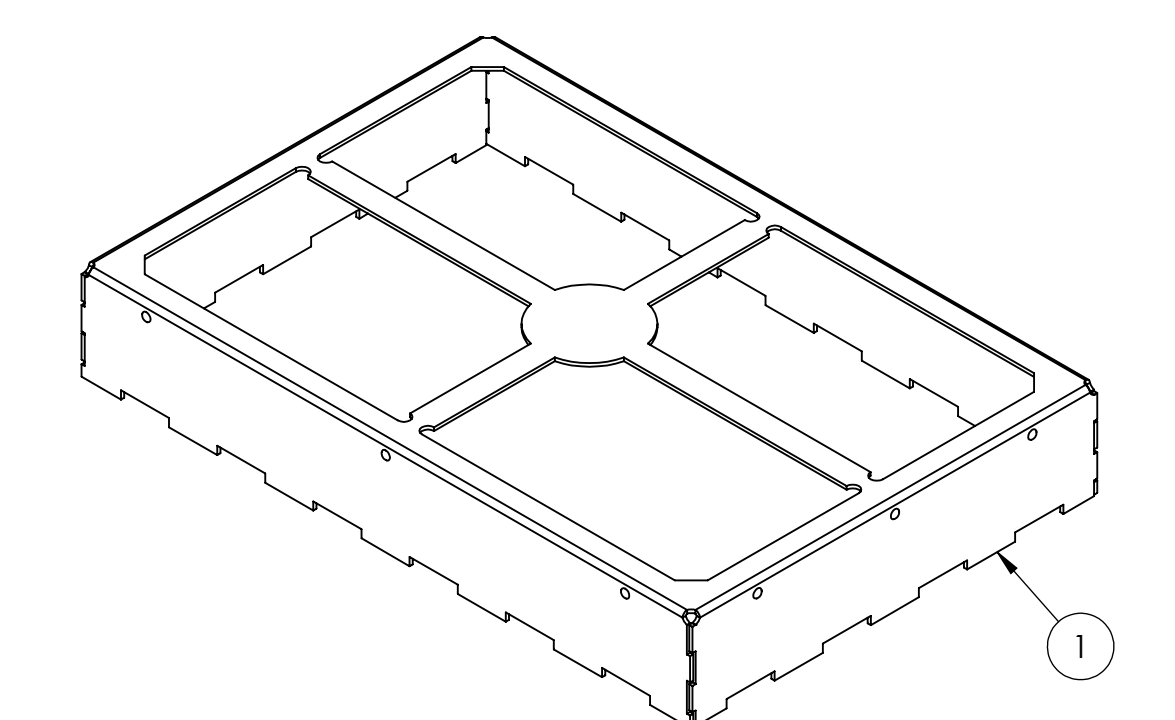
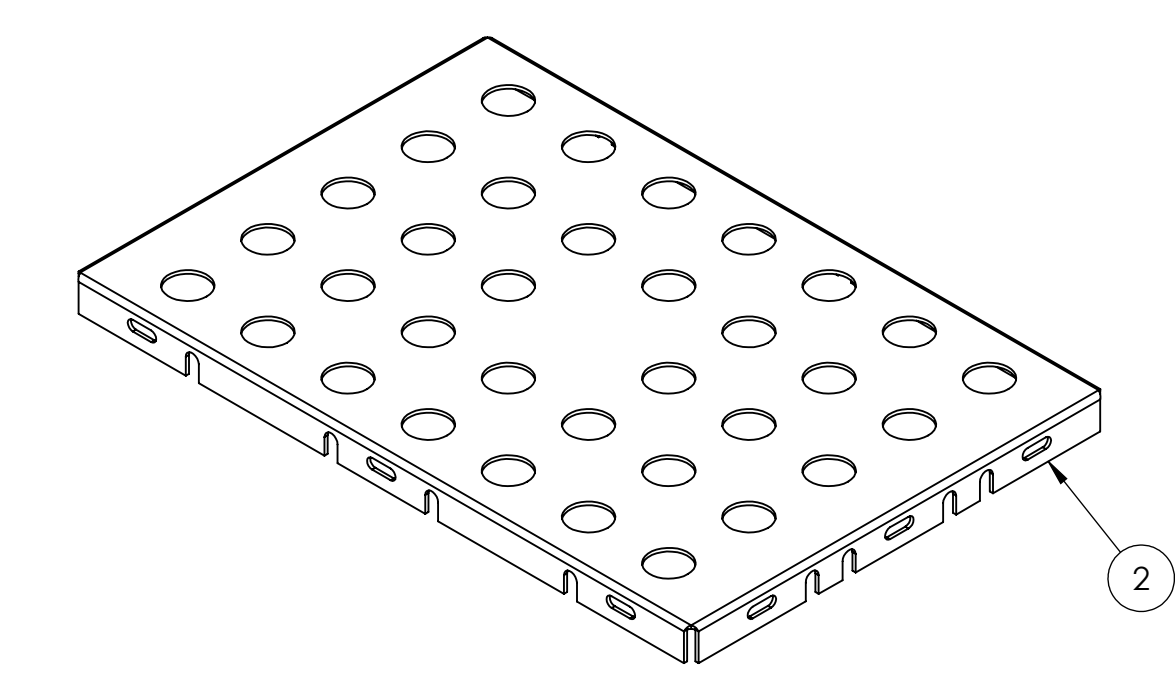
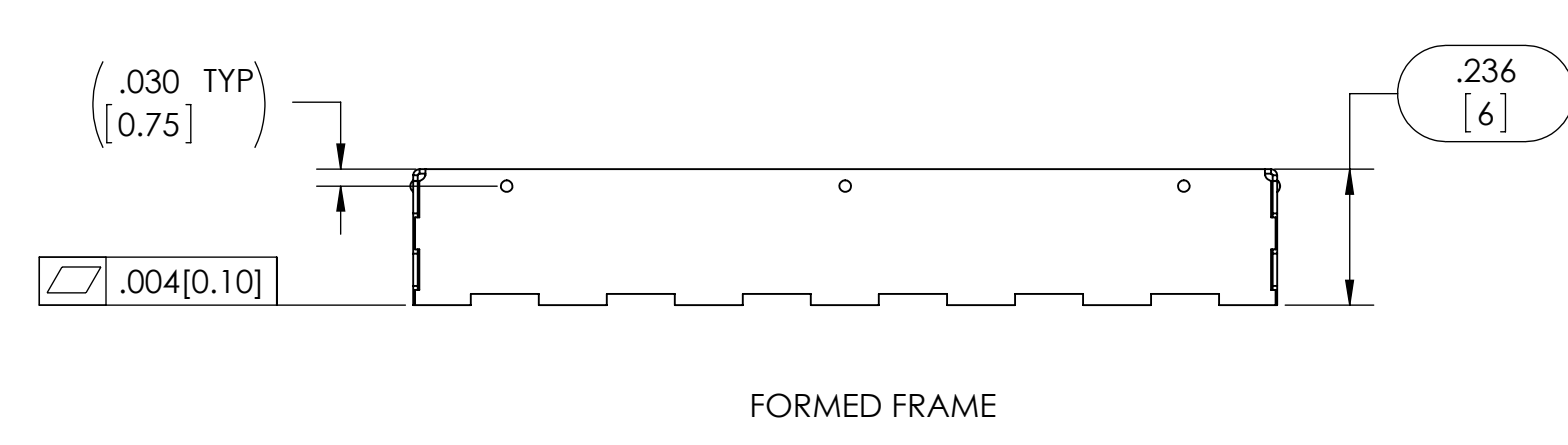
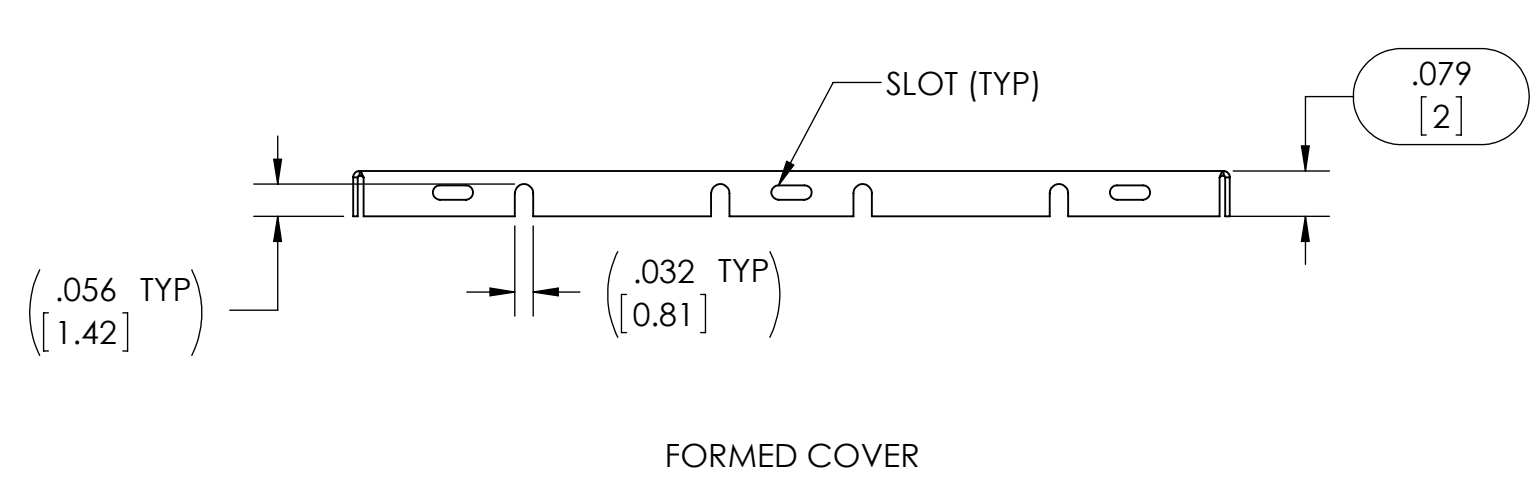
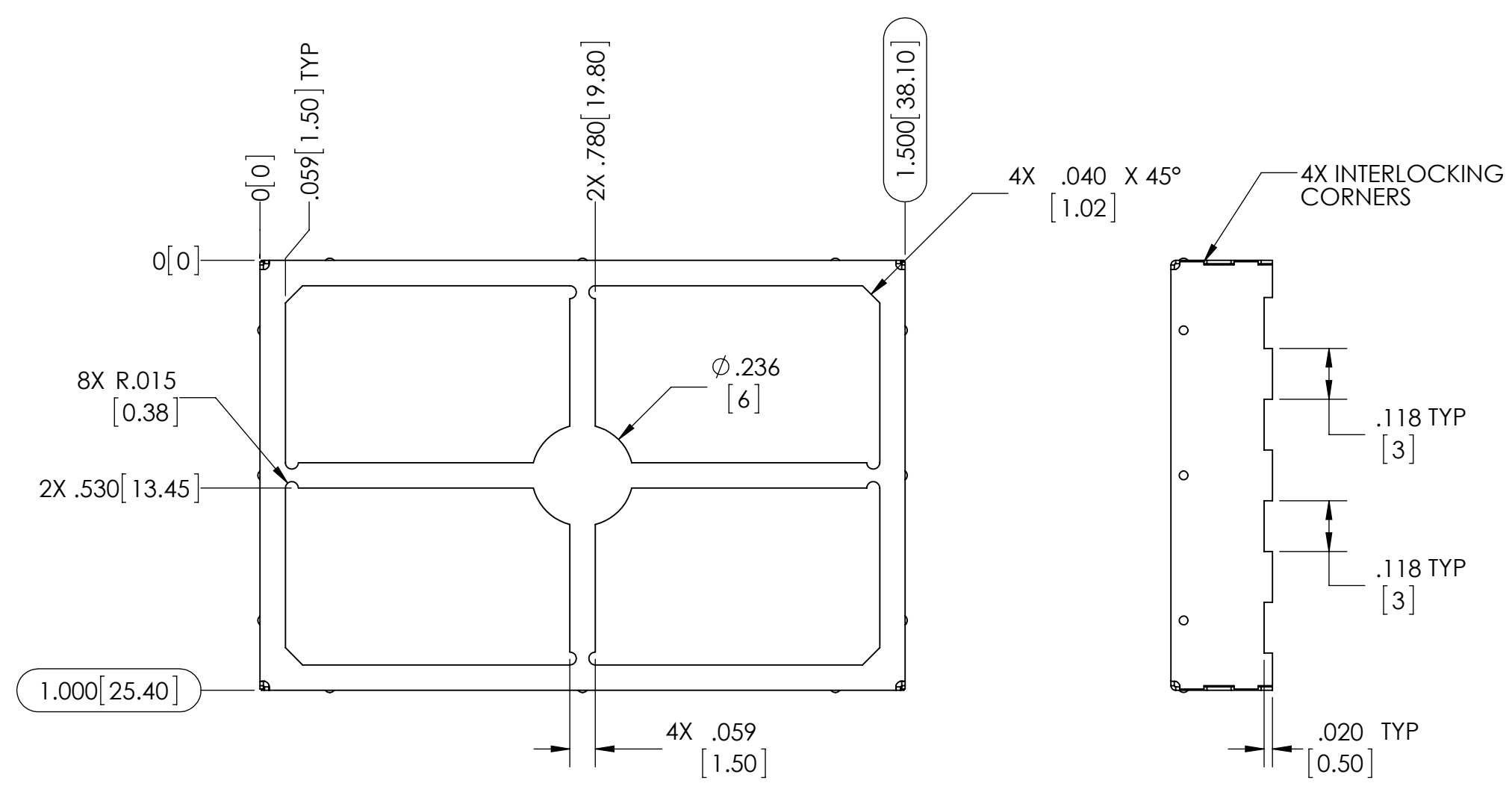
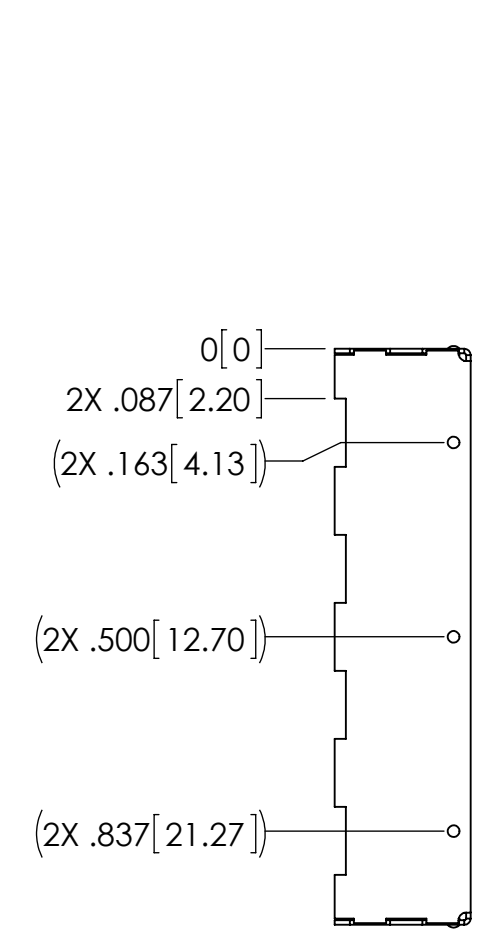
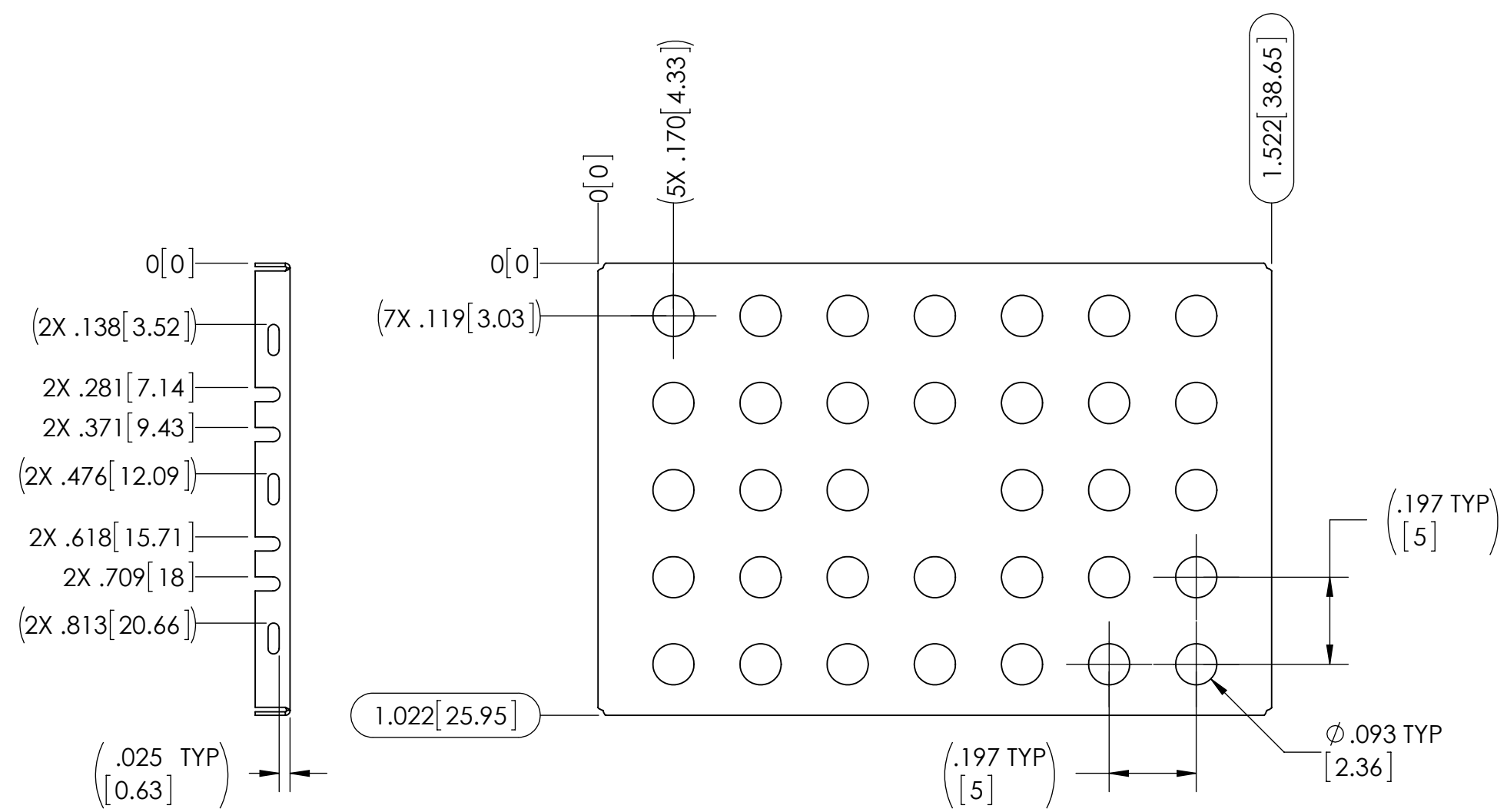
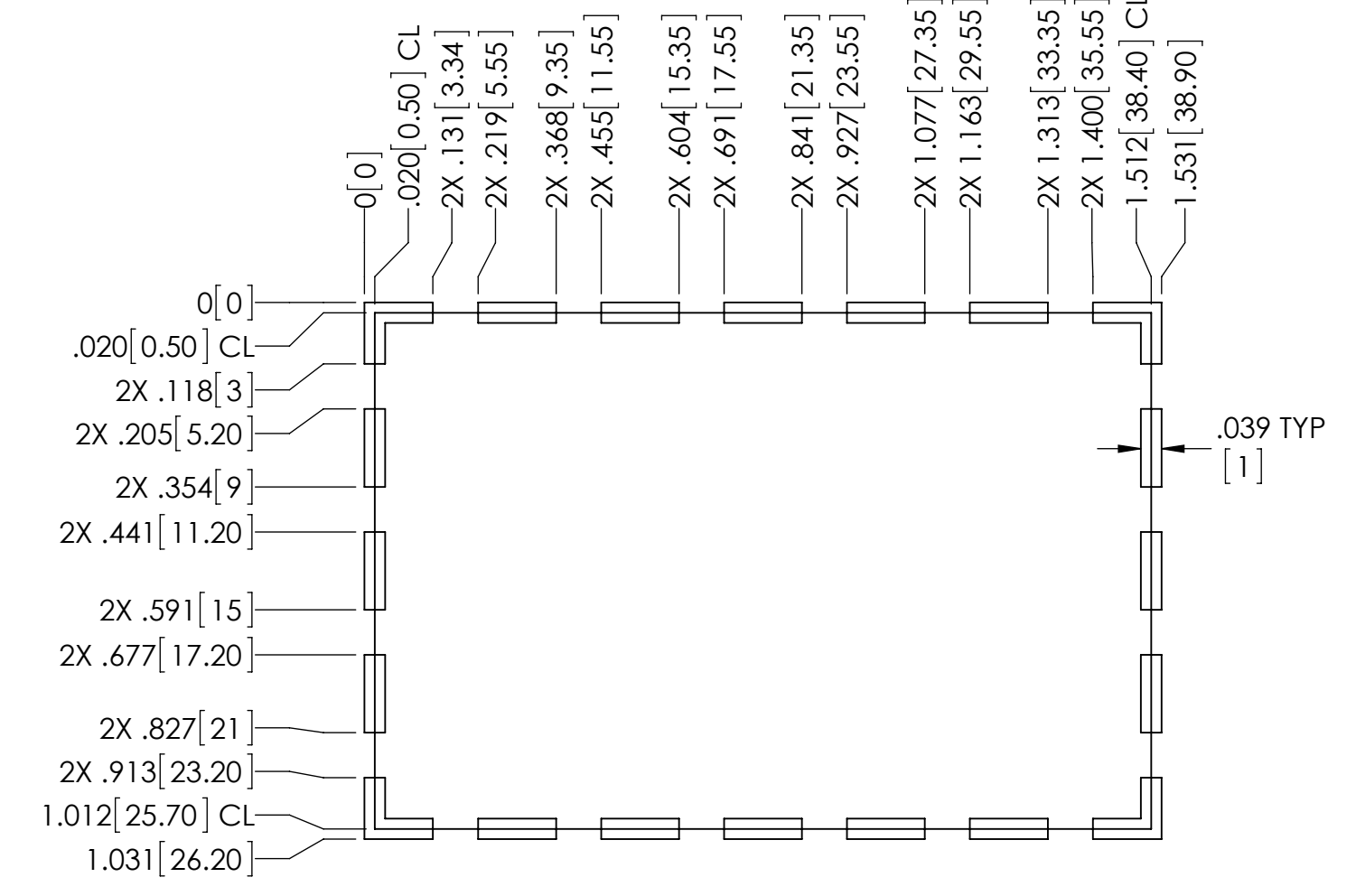
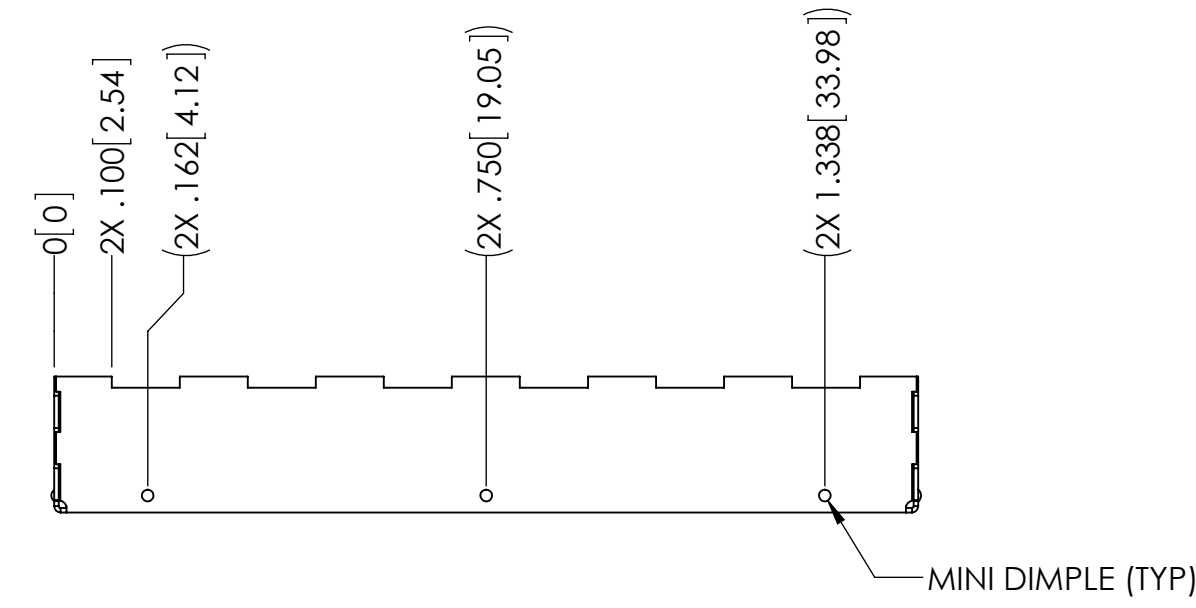
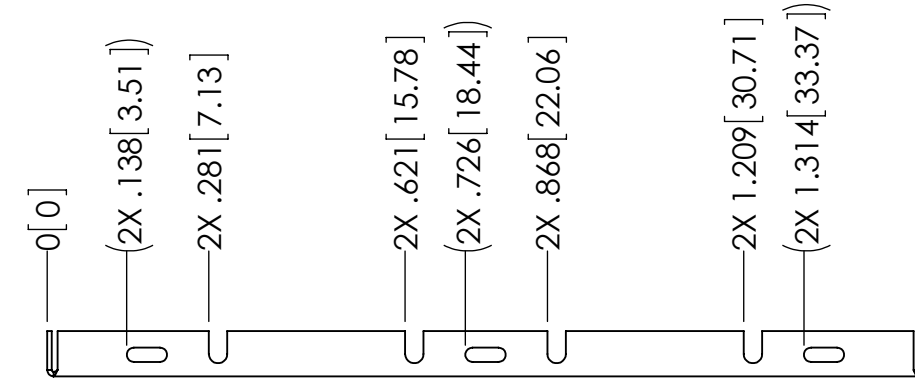


- NOTES:
- PART SHALL BE FREE OF BURRS AND SHARP EDGES
 - ASSURE ASSEMBLY CAPABILITY BY MATCHING WITH MATING PART
 - DIMENSIONS IN [] ARE IN MILLIMETERS



| CARRIER TAPE SPECIFICATIONS | | | | | | |
|-----------------------------|-------------|-------------------------------|----------------|--------------------|--------------------|----------------|
| PART NUMBER | DESCRIPTION | OVERALL DIMENSION | OVERALL HEIGHT | CARRIER TAPE WIDTH | CARRIER TAPE PITCH | PARTS PER REEL |
| SMS-205-F | FRAME | 1.500 X 1.000 (38.10 X 25.40) | .236 (6.00) | 56 mm | 32 mm | 250 |
| SMS-205-C | COVER | 1.522 X 1.022 (38.65 X 25.95) | .079 (2.00) | N/A | N/A | BULK PACK |

THIS DOCUMENT CONTAINS PROPRIETARY INFORMATION OWNED BY LEADERTECH OR DEVELOPED AT ITS OWN PRIVATE EXPENSE AND MAY NOT BE USED, DUPLICATED OR DISCLOSED IN WHOLE OR IN PART FOR ANY PURPOSE INCLUDING DESIGN, MANUFACTURE OR PROCUREMENT WITHOUT THE WRITTEN PERMISSION OF LEADERTECH. LEADERTECH DOES NOT GUARANTEE OR WARRANT THE PERFORMANCE CHARACTERISTICS.

| ITEM NO. | PART NUMBER | DESCRIPTION | QTY. |
|----------|-------------|-------------|------|
| 1 | SMS-205 F | FRAME | 1 |
| 2 | SMS-205 C | COVER | 1 |

| | | | | |
|---|------------------------------------|------------------------|------------------|--|
| UNLESS OTHERWISE SPECIFIED: - ALL DIMENSIONS ARE IN INCHES - PART SHALL BE FREE OF BURRS AND SHARP EDGES - ALL DIMENSIONS SHOWN APPLY BEFORE PLATING AND COATINGS - ROHS COMPLIANT PER EU DIRECTIVE 2011/65/EU - POI = POINT OF INTERSECTION | | THIRD ANGLE PROJECTION | | LEADER TECH <small>a HEICO company</small> <small>The Leading Edge in PWB Mounting Technology</small> |
| TITLE: SURFACE MOUNT SHIELD | | SCALE: 3:1 | | |
| DRAWN BY: DJM | DATE: 09/02/2009 | APPROVED BY: MP | DATE: 09/02/2009 | REV: D |
| MATERIAL: MATTE | FINISH: .008[0.20] - PRE TIN STEEL | CAGE CODE: 41674 | SHEET: 1 OF 1 | |