

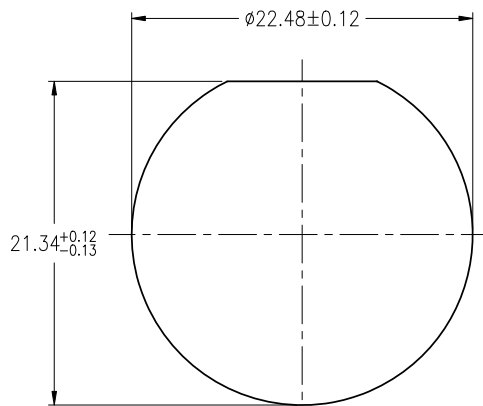
NOTES:

- MATERIALS AND FINISHES
 BODY - BRASS, NICKEL PLATING
 CONTACT - BERYLLIUM COPPER, SILVER PLATING
 INSULATOR - PTFE, NATURAL
- ELECTRICAL:
 A. IMPEDANCE: 50 OHM

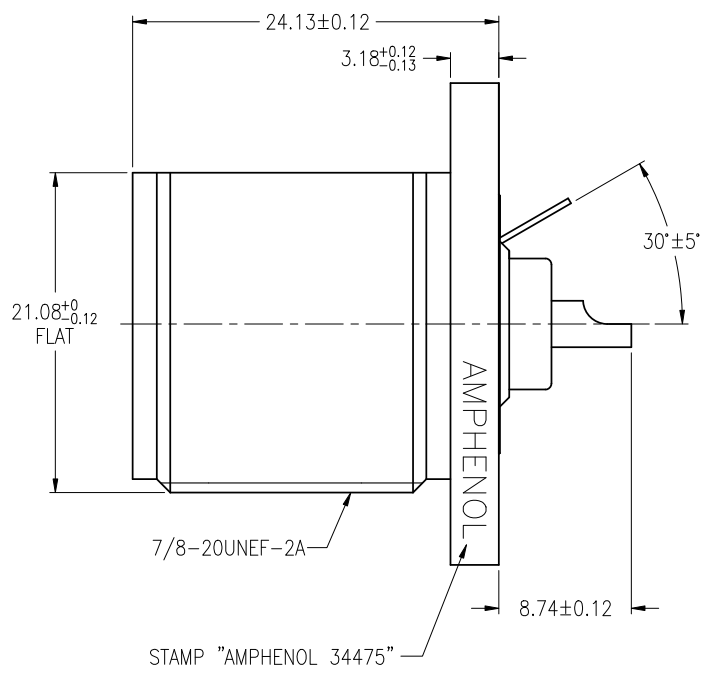
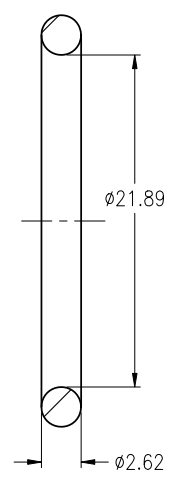
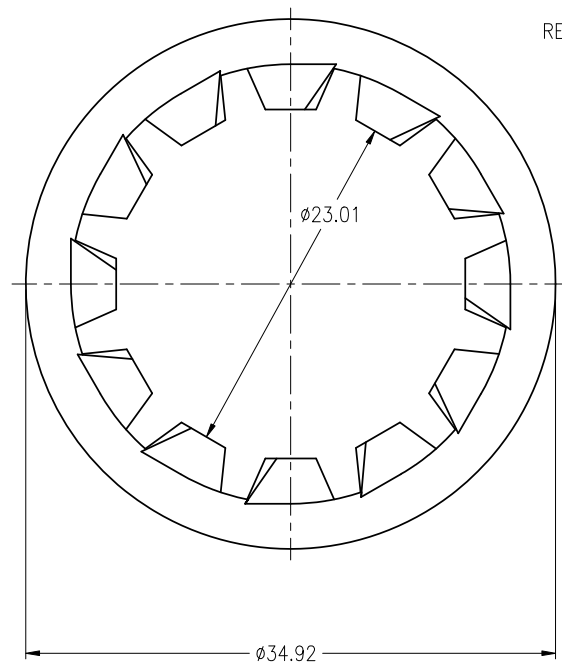
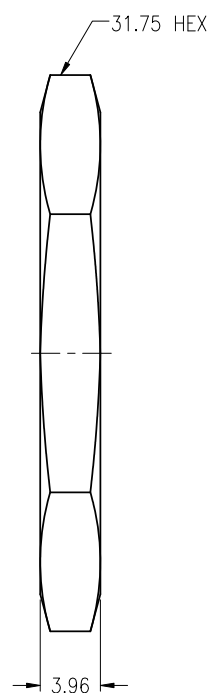
THIRD ANGLE PROJ.

REVISIONS

REV	DESCRIPTION	DATE	ECO	APPR
A	OFFICIAL ENG. RELEASE TO MFG.		3651	
L	REDRAWN TO UPDATE FORMAT	1-Apr-09	47500	SH
M	LOCK WASHER WAS CHANGED	01-Mar-12	48832	SH



RECOMMENDED MOUNTING HOLE



CUSTOMER OUTLINE DRAWING
 ALL OTHER SHEETS ARE FOR INTERNAL USE ONLY

UNLESS OTHERWISE SPECIFIED, DIMENSIONS ARE IN METRIC AND TOLERANCES ARE:
 <0.5mm ±0.05mm 0.5 - 6mm ±0.1mm 6 - 30mm ±0.2mm 30 - 120mm ±0.3mm ANGLES ±1°

NOTICE - These drawings, specifications, or other data (1) are, and remain the property of Amphenol Corp. (2) must be returned upon request; and (3) are confidential and not to be disclosed to any person other than those to whom they are given by Amphenol Corp. The furnishing of these drawings, specifications, or other data by Amphenol Corp., or to any other person to anyone for any purpose is not to be regarded by implication or otherwise in any manner licensing, granting rights or permitting such holder or any other person to manufacture, use or sell any product, process or design, patented or otherwise, that may in any way be related to or disclosed by said drawings, specifications, or other data.

MATERIAL

REFERENCE
 UNISYS #7903003 REV J
 EAR #413925-001 (CHANGES UNISYS SPEC FROM REV H TO REV J)

FINISH

DRAWN
T.DENG

ENGINEER
H.H

APPROVED
S.HSIEH

CAD FILE
 F:\DWG\CNPD\34475-MSZ

DATE
 20-Feb-12

DATE
 21-Jun-84

DATE
 01-Mar-12

TITLE
 TRIAXIAL RECEPTACLE

SCALE: 2/1 SHEET 2 OF 2

DWG SIZE
 B

REV
 M

Amphenol RF
 Danbury CT USA, Tainan Taiwan, Shenzhen China
 www.amphenolrf.com

DRAWING NO. **34475**

ITEM NO. **34475**

PART NO. **34475**