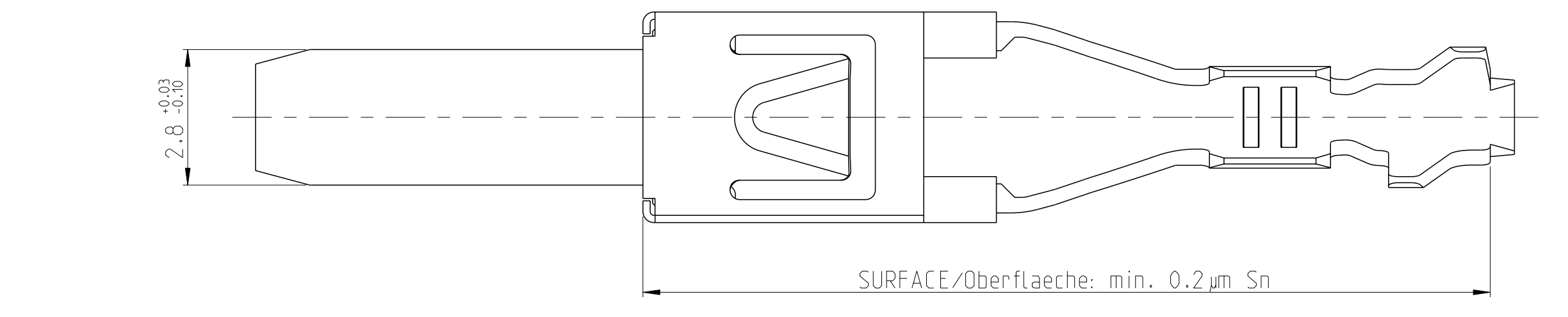
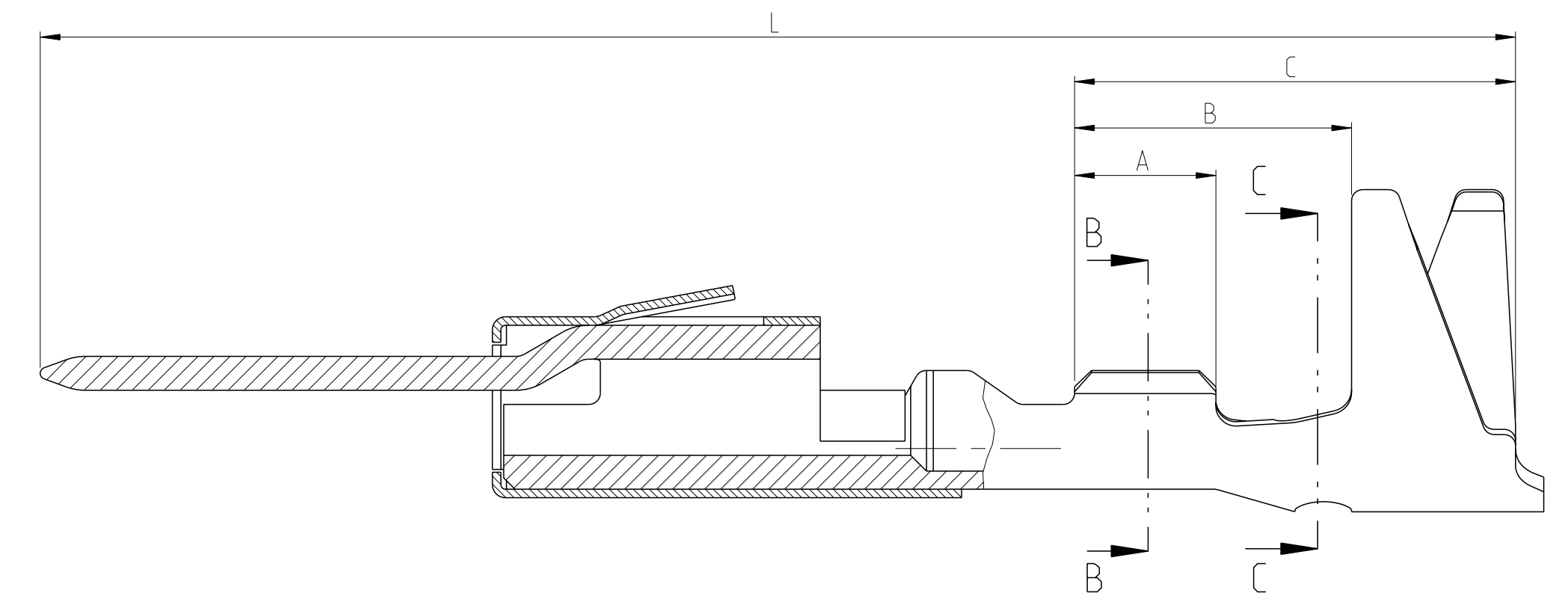
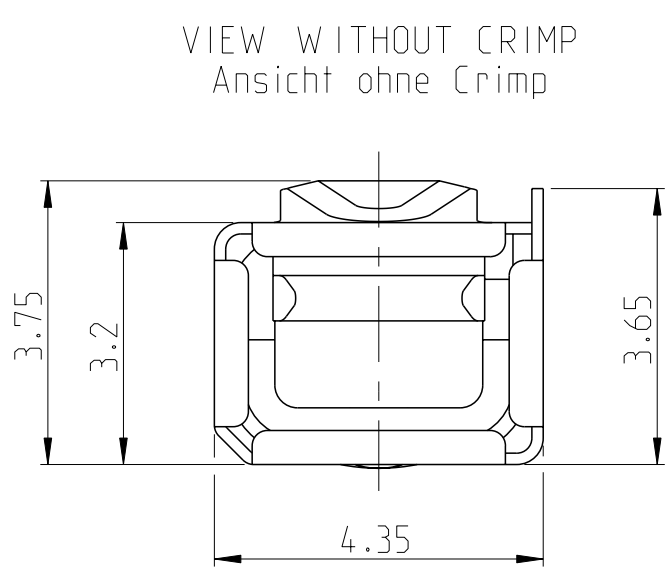
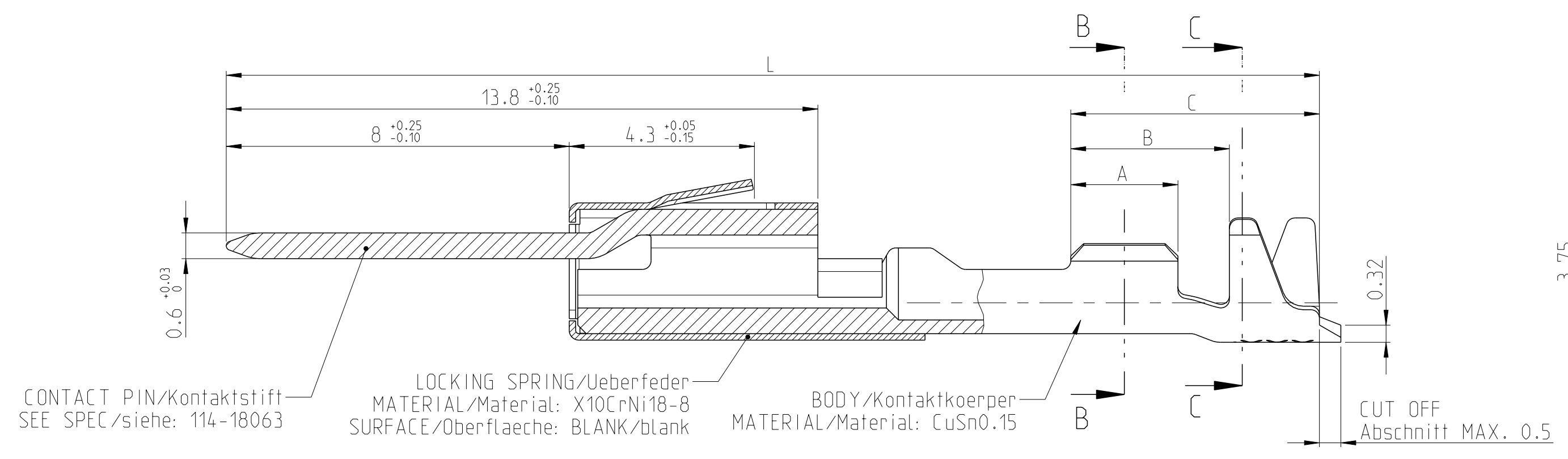


REVISIONS				
#	CLM	DESCRIPTION	DATE	OWN APVD
A11		Updated general tolerance	22MAY2020	FRAN SCHI
A12		968136-5 and 968137-5 obsolete	16SEP2020	BREN SCHI
A13		1355964-6 added	16AUG2021	FRAN SCHI
A14		1355964-6 updated from Rev. A to Rev. B	10JAN2022	FRAN SCHI

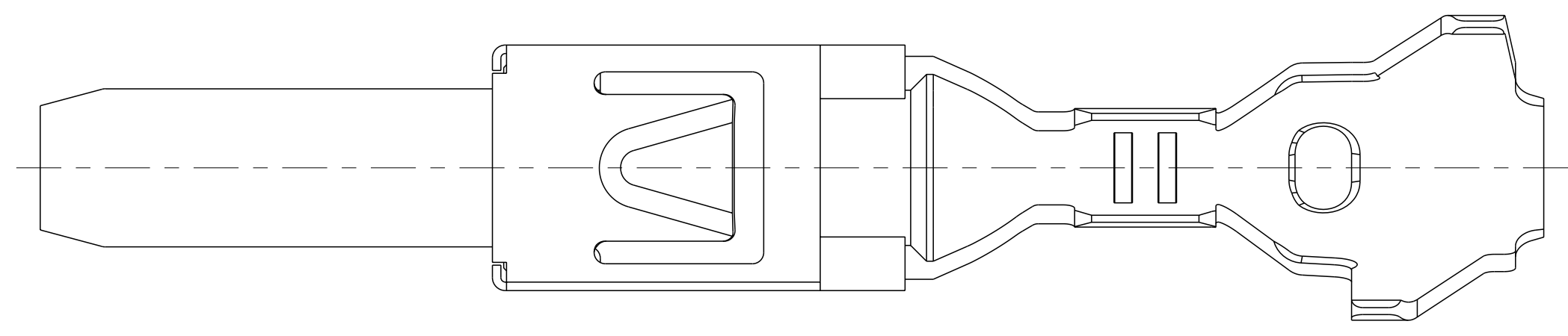
STANDARD APPLICATION
 Normale Anwendung

SINGLE WIRE SEAL SYSTEM
 Einzeldichtungssystem

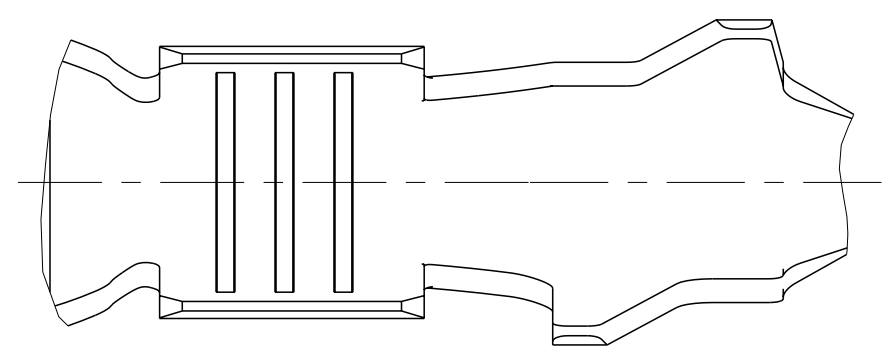
(MISSING DIMENSIONS SEE STANDARD APPLICATION)
 (Fehlende Masse siehe normale Anwendung)



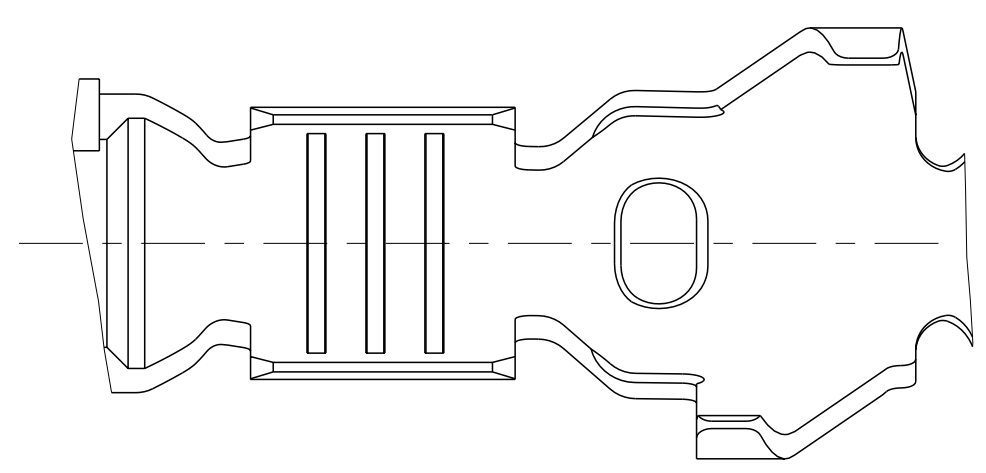
CRIMP DESIGN B
 Crimpausführung B



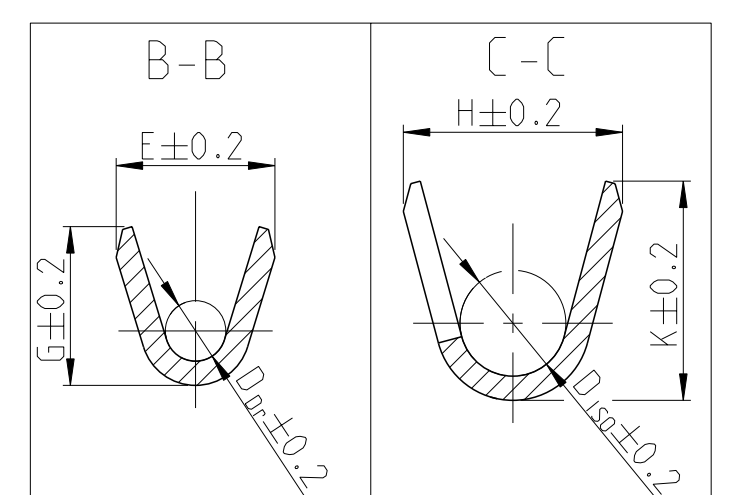
CRIMP DESIGN D
 Crimpausführung D



CRIMP DESIGN A
 Crimpausführung A



CRIMP DESIGN C
 Crimpausführung C



CRIMP DESIGN Crimpausführung	TE ORDER NO STRIP FORM TE Bestell-Nr. Bandware	REV.	SURFACE OBERFLAECH	VERSION	WIRE SIZE RANGE Drahtgroessenbereich (mm ²)	CRIMPLENGTHS Crimplaengen (mm)	WIRE CRIMP Drahtcrimp (mm)	INSULATION CRIMP Isolationscrimp (mm)	CONTACT LENGTH Kontaktlaenge (mm)	KIND Art	GRAM Gramm	WEIGHT Gewicht	APPLICATION Verarbeitung	ORDER NO. Bestell-Nr. Tab.Nr.: 118-18005-500	COLOUR Farbe	SUITABLE SINGLE WIRE SEAL Zugehoerige Einzeldichtung	
																A	B
C	-	-	-	SINGLE WIRE SEAL SYSTEM Einzeldichtungs-System	>1-2.5	3.5	5.9	8.8	3.6	3.8	1.7	5.7	6.1	3.5	26.1	-	-
	968139-5	C	Au													-	-
	968139-2	C	Sn													S	0.7
	-	-	-													-	-
D	-	-	-	SINGLE WIRE SEAL SYSTEM Einzeldichtungs-System	>0.5-1.0	3	5.4	8.3	2.5	2.7	1.2	5.5	5.9	3.3	26.1	-	-
	968138-5	C	Au													-	-
	968138-2	C	Sn													S	0.7
	-	-	-													-	-
A	-	-	-	STANDARD APPLICATION Normale Anwendung	>2.5-4.0	4	5.9	9.3	4.5	4.7	2.3	5.4	5.6	3.2	26.9	-	-
	968681-5	A	Au													-	-
	968681-2	A	Sn													S	0.7
	1355964-6	B	Ag													-	-
	1355964-5	A	Au													-	-
	1355964-2	B	Sn													S	0.7
	-	-	-													-	-
	968137-5	C	Au													-	-
968137-2	C	Sn	S	0.7													
B	-	-	-	STANDARD APPLICATION Normale Anwendung	>1-2.5	3.5	5.2	8.25	3.6	3.8	1.7	4.3	4.5	2.6	25.5	-	-
	968136-5	C	Au													-	-
	968136-2	C	Sn													S	0.7
	-	-	-													-	-
B	-	-	-	STANDARD APPLICATION Normale Anwendung	>0.5-1.0	3	4.6	7	2.5	2.7	1.2	3.2	3.4	1.8	25.5	-	-
	968679-5	A	Au													-	-
968679-2	A	Sn	S	0.7													

NOTES
 Bemerkungen

- SUITABLE FOR SOCKET CONTACT SEE TE DRAWING: 1355934
 Passend zu Buchsenkontakt siehe TE-Zeichnung: 1355934
- DETAILS OF DESIGN ARE LEFT TO MANUFACTURER
 Einzelheiten der Ausfuehrung bleiben dem Hersteller ueberlassen
- ONLY FOR FLR-CONDUCTOR ACCORDING TO DIN 72551 -6
 Nur fuer FLR-Leitungen nach DIN 72551, Teil 6

THIS DRAWING IS A CONTROLLED DOCUMENT.		OWN S. Garcia	Z2MAY2000	STE TE Connectivity
DIMENSIONS: mm		CHK R. Jetter	Z2MAY2000	
MATERIAL	FINISH	TOLERANCES UNLESS OTHERWISE SPECIFIED: DIN 6930-Z-MH		NAME Micro Power Quadlok
		APVD		PRODUCT SPEC 108-18476
APPLICATION SPEC 114-18141		WEIGHT		SIZE A1
CUSTOMER DRAWING		SCALE 10:1		SHEET 1 OF 1 REV. A14