

NS-205PSE-IP67 Series *Available soon*

Industrial 5-port Unmanaged IP67 Ethernet Switch with PoE

NS-205-IP67 Series

Industrial 5-port Unmanaged IP67 Ethernet Switch

NS-205PSE-IP67
NS-205-IP67



NS-205PSE-IP67 Series/NS-205-IP67 Series							For NS-205PSE-IP67/ NS-205PSE-IP67			For NS-205-IP67	
-10 ~ +60											

Features ▶▶▶

- Automatic MDI/MDI-X crossover for plug-and-play
- Store-and-forward architecture
- Each port supports both 10/100 Mbps speed auto negotiation
- Full duplex IEEE 802.3x and half duplex backpressure flow control
- Rugged RJ-45 connector for anti-vibration and shock
- IP67 grade protection approval
- 4 PoE ports with Power Sourcing Equipment (PSE) operation (NS-205PSE-IP67 series)
- Auto-detection of PD (powered devices) and automatic power management (NS-205PSE-IP67 series)
- Over-temperature, over-current and over/under-voltage detection (NS-205PSE-IP67 series)

Introduction

The NS-205PSE-IP67/NS-205-IP67 is designed for industrial applications in harsh environments. The rugged RJ-45 ensure tight, robust connections, and guarantee reliable operation, even for applications that are subject to high vibration and shock.

The NS-205PSE-IP67 PoE switch provides 5 fast Ethernet with 4 IEEE 802.3af compliant PoE ports. The switch is classified as power source equipment (PSE) and provides up to 15.4 W of power per port.

The Ethernet switch supports IEEE 802.3/802.3u/802/3x with 10/100M, full/half-duplex, MDI/MDI-X auto-sensing, and provide an economical solution for your industrial Ethernet network.

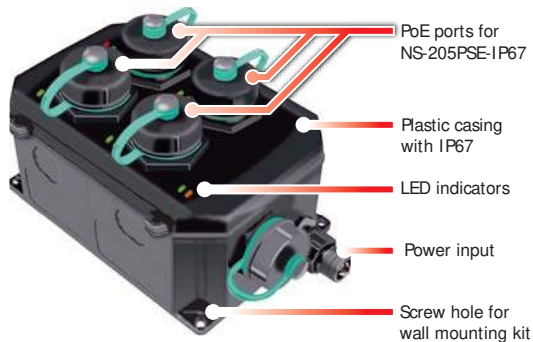
Comparison Table of 5/ 8-port IP67 Ethernet Switch

Mode Name	NS-205-IP67	NS-205PSE-IP67	NS-208PSE-IP67	NS-208-IP67
PoE	-	802.3af x 4	802.3af x 8	-
Input Voltage Range	+10 Vdc ~ +30 Vdc (1 kV Isolated)	+46 Vdc ~ +53 Vdc		+12 Vdc ~ +53 Vdc
Installation	Wall Mounting	Wall Mounting	Wall Mounting	
Dimensions (W x L x H) (Unit: mm)	85 x 76 x 137	85 x 76 x 137	190 x 155 x 104	

Specifications

Models	NS-205PSE-IP67	NS-205-IP67
Technology		
Standards	IEEE 802.3, 802.3u, 802.3x, 10/100 Base-T(X) auto negotiation speed, F/H duplex mode, and auto MDI/MDI-X connection	
Processing Type	Store & forward; wire speed switching	
MAC Addresses	1024	
Memory Bandwidth	2 Gbps	1.4 Gbps
Frame Buffer Memory	512 Kbit	256 Kbit
Flow Control	IEEE 802.3x flow control, back pressure flow control	
Interface		
LED Indicators	PWR, Link/Act, Power Device is detected	PWR, 10/100M, Link/Act
Ethernet Isolation	1500 V _{rms} 1 minute	
Connector	Rugged RJ-45	
Power Input		
Input Voltage Range	+46 V _{dc} ~ +53 V _{dc} for PoE output	+10 V _{dc} ~ +30 V _{dc} (1 kV Isolated)
Power Consumption	0.05 A @ 48 V _{dc} without PD loading; 1.45 A @ 48 V _{dc} with PD full loading	0.12 A @ 24 V _{dc}
Protection	Power reverse polarity protection	
Connector	IP67 PWR Plug	
PoE Technology		
PoE Compliance	100% IEEE 802.3af compliant	-
PoE Classification	PSE (Power Sourcing Equipment)	-
PoE Voltage	+48 V _{dc} depending on power input	-
PoE Power	Up to 15.4 watts per channel	-
PoE Operation	Automatic detection and power management	-
PoE Pin Assignments	V+ (Pin 1, 2), V- (Pin 3, 6)	-
PoE Disconnect Mode	DC disconnect	-
Mechanical		
Casing	Plastic (Flammability UL 94V-0)	
Environmental Rating	Protection rating IP67 for Operating Temperature -10 °C ~ +60 °C Protection rating IP66 for Operating Temperature -40 °C ~ +75 °C	
Dimensions (W x L x H)	85 mm x 76 mm x 137 mm	85 mm x 76 mm x 137 mm
Installation	Wall mounting	
Environment		
Operating Temperature	-10 °C ~ +60 °C (Protection rating IP67) -40 °C ~ +75 °C (Protection rating IP66)	
Storage Temperature	-10 °C ~ +60 °C (Protection rating IP67) -40 °C ~ +75 °C (Protection rating IP66)	
Ambient Relative Humidity	100% RH for Operating Temperature -10 °C ~ +60 °C 10% ~ 90% RH, non-condensing for Operating Temperature -40 °C ~ +75 °C	

Appearance



Applications



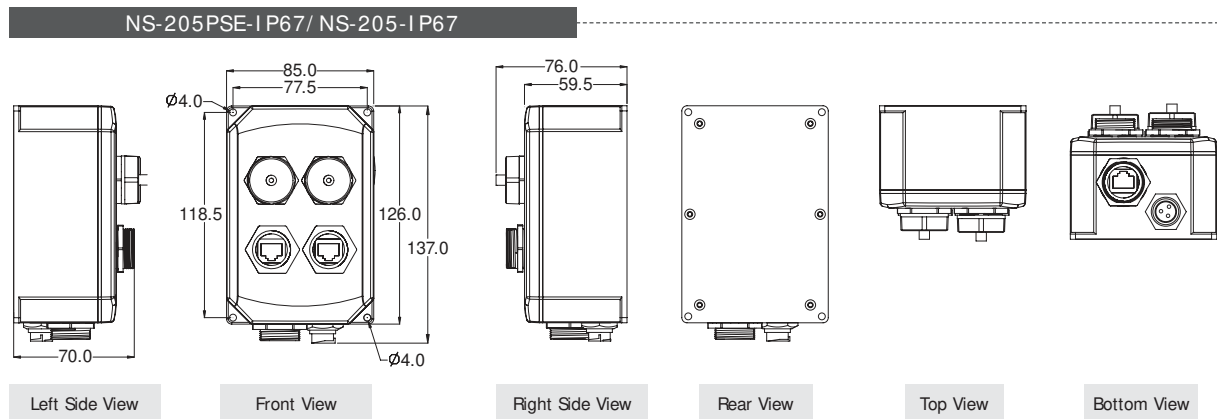
Industrial IP67 5-port Unmanaged Ethernet Switch

- NS-205PSE-IP67 
- NS-205-IP67

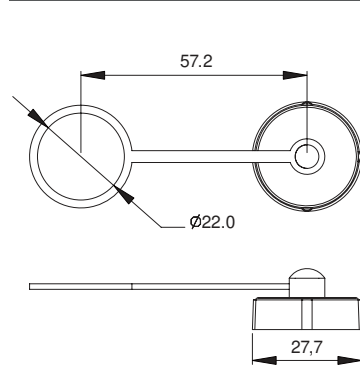


IP67 grade protection approval
Rugged RJ-45 connector for anti-vibration and shock

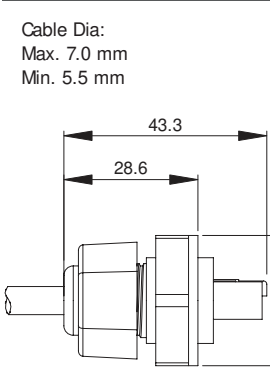
Dimensions (Units: mm)



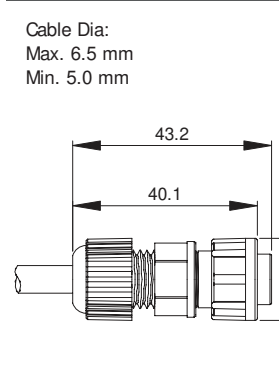
IP67 Ethernet Cap with Tether



IP67 Ethernet Plug



IP67 PWR Plug



Ordering Information

NS-205PSE-IP67 CR	Industrial 5-port unmanaged IP67 Ethernet switch with PoE Includes IP67 RJ-45 Plug x 5, IP67 Power Plug x 1, Cap with Tether x 5 (RoHS)
NS-205-IP67 CR	Industrial 5-port unmanaged IP67 Ethernet switch Includes IP67 RJ-45 Plug x 5, IP67 Power Plug x 1, Cap with Tether x 5 (RoHS)

Accessories

MDR-60-48	48 V/1.25 A, 60 W Power Supply with DIN-Rail Mounting
DIN-KA52F-48	48 V/0.52 A, 25 W Power Supply with DIN-Rail Mounting
DR-120-48	48 V/2.5 A, 120 W Power Supply with DIN-Rail Mounting

