



## FLEXI-M4-433

### Features

- $\frac{1}{4}$  Wavelength Whip Antenna
- +2.15dBi Gain
- Rugged Flexible Plastic Finish.
- M4 Fixing
- Omni-Directional Design
- 50ohm Impedance
- Vertical Polarisation
- VSWR  $\leq 1.8$
- Operating Temp  $-30$  to  $+60^{\circ}\text{C}$
- Insulation resistance  $500\text{M}\Omega @ 500\text{Vdc}$
- Max Power 50Watts

### Applications

- General Low Power Radio
- M2M Applications
- Telemetry

### Description

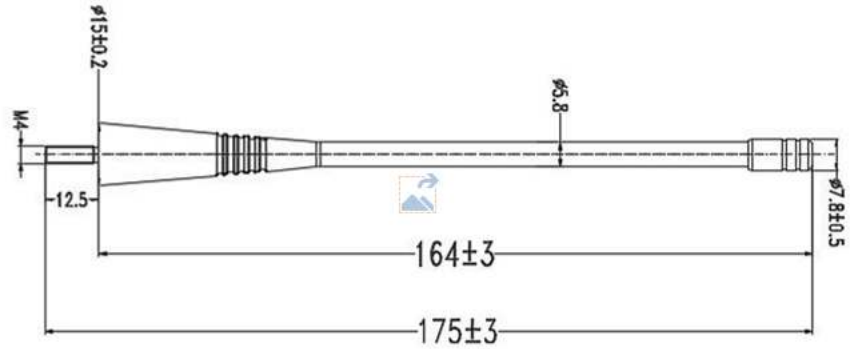
A  $\frac{1}{4}$  wavelength whip antenna in a rugged flexible plastic finish. This ready to operate antenna required no tuning and provides optimum range and reliability to your application.

### Ordering Information

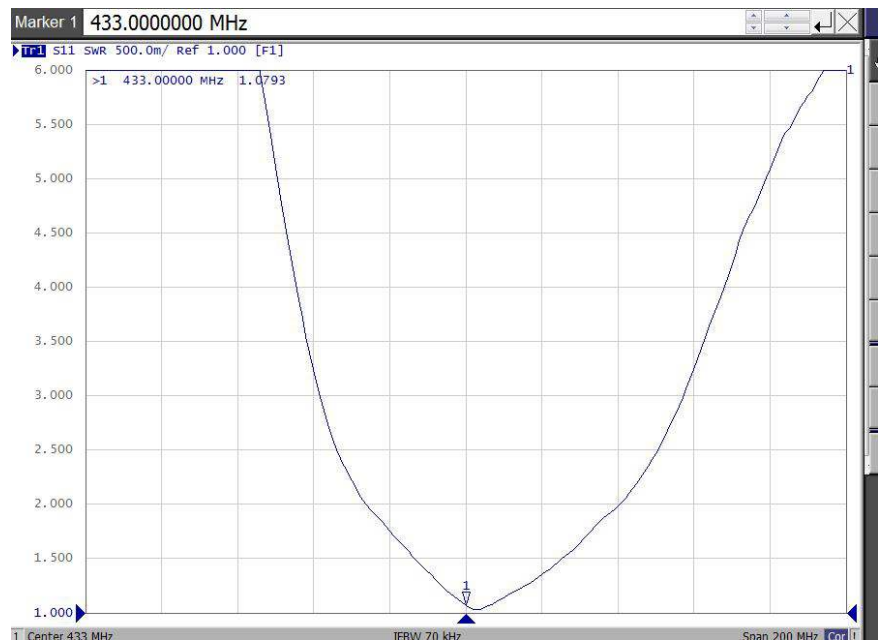
Part No	Description
FLEXI-M4-433	$\frac{1}{4}$ wave, 433MHz, M4 screw connecter



## Mechanical Dimensions



## Performance / VSWR Plot



## Easy PCB Mount Terminal 'SCRTM4RA' -



SCRTM4RA is a PCB Mounting terminal which accept any M4 screw thread antenna. For further data please see DS-SCRTM4RA.

### RF Solutions Ltd. Recycling Notice

Meets the following EC Directives:

**DO NOT**

Discard with normal waste, please recycle.

**ROHS Directive 2011/65/EU and amendment 2015/863/EU**

Specifies certain limits for hazardous substances.

**WEEE Directive 2012/19/EU**

Waste electrical & electronic equipment. This product must be disposed of through a licensed WEEE collection point. RF Solutions Ltd., fulfills its WEEE obligations by membership of an approved compliance scheme. Environment Agency producer registration number: **WEE/JB0104WW**.

### Disclaimer:

Whilst the information in this document is believed to be correct at the time of issue, RF Solutions Ltd does not accept any liability whatsoever for its accuracy, adequacy or completeness. No express or implied warranty or representation is given relating to the information contained in this document. RF Solutions Ltd reserves the right to make changes and improvements to the product(s) described herein without notice. Buyers and other users should determine for themselves the suitability of any such information or products for their own particular requirements or specifications. RF Solutions Ltd shall not be liable for any loss or damage caused as a result of user's own determination of how to deploy or use RF Solutions Ltd's products. Use of RF Solutions Ltd products or components in life support and/or safety applications is not authorised except with express written approval. No licences are created, implicitly or otherwise, under any of RF Solutions Ltd's intellectual property rights. Liability for loss or damage resulting or caused by reliance on the information contained herein or from the use of the product (including liability resulting from negligence or where RF Solutions Ltd was aware of the possibility of such loss or damage arising) is excluded. This will not operate to limit or restrict RF Solutions Ltd's liability for death or personal injury resulting from its negligence.