

**MT5634ZPX-PCI-U/NV**

**MT5634ZPX-PCI-V92/NV**

**MT5634ZPX-PCI/NV**

**Internal Data / Super G3 Fax Modem**

**Quick Start Guide**

**MultiTech**<sup>®</sup>  
Systems 

---

# MultiModemZPX Quick Start Guide

---

## MultiModemZPX Quick Start Guide

MT5634ZPX-PCI-U, MT5634ZPX-PCI-U-NV, MT5634ZPX-PCI, 5634ZPX-PCI-NV,  
MT5634ZPX-PCI-V92, 5634ZPX-PCI-V92-NV

P/N 82092853 Revision D

Copyright © 2007 by Multi-Tech Systems, Inc.

All rights reserved. This publication may not be reproduced, in whole or in part, without prior expressed written permission from Multi-Tech Systems, Inc.

Multi-Tech Systems, Inc. makes no representations or warranties with respect to the contents hereof and specifically disclaims any implied warranties of merchantability or fitness for any particular purpose. Furthermore, Multi-Tech Systems, Inc. reserves the right to revise this publication and to make changes in the content hereof without obligation of Multi-Tech Systems, Inc. to notify any person or organization of such revisions or changes. Check Multi-Tech's web site for current versions of product documentation.

## Record of Revisions

<i>Revision</i>	<i>Date</i>	<i>Description</i>
A	12/24/01	Manual released.
B	10/07/02	The modem can be purchased with or without voice. Driver installation directions changed to Plug and Play. This manual replaces Rev. A and 82095520 (the Global V.90 Quick Start Guide).
C	07/25/03	Add universal information.
D	05/08/07	Revise tech support listing.

## Trademarks

MultiModemZPX is a trademark and Multi-Tech and the Multi-Tech logo are registered trademarks of Multi-Tech Systems, Inc.

Adobe and Acrobat are trademarks of Adobe Systems Incorporated. Microsoft, Windows 98/Me/NT2000/XP are either registered trademarks or trademarks of Microsoft Corporation in the United States and/or other countries. All other brand and product names mentioned in this publication are trademarks or registered trademarks of their respective companies.

## Patents

This device is covered by one or more of the following patents: 6,031,867; 6,012,113; 6,009,082; 5,905,794; 5,864,560; 5,815,567; 5,815,503; 5,812,534; 5,809,068; 5,790,532; 5,764,628; 5,764,627; 5,754,589; 5,724,356; 5,673,268; 5,673,257; 5,644,594; 5,628,030; 5,619,508; 5,617,423; 5,600,649; 5,592,586; 5,577,041; 5,574,725; 5,559,793; 5,546,448; 5,546,395; 5,535,204; 5,500,859; 5,471,470; 5,463,616; 5,453,986; 5,452,289; 5,450,425; 5,355,365; 5,309,562; 5,301,274. Other patents pending.

**World Headquarters:** Multi-Tech Systems, Inc.  
2205 Woodale Drive, Mounds View, MN 55112 U.S.A  
(763) 785-3500 or (800) 328-9717; US Fax (763) 785-9874

## Technical Support Contacts

<b>Country</b>	<b>By Email</b>	<b>By Phone</b>
France:	support@multitech.fr	+(33) 1-64 61 09 81
Europe, Asia, Africa:	support@multitech.co.uk	+(44) 118 959 7774
U.S., Canada, all others:	support@multitech.com	800-972-2439 or 763-717-5863

Internet Address <http://www.multitech.com>

### Introduction

Congratulations on your purchase of the MultiModemZPX. You have acquired one of the finest internal data / Super G3 fax modems available today from one of the world's oldest modem manufacturers, Multi-Tech Systems, Inc.

This *Quick Start Guide* will help you install and set up your modem. A full *User Guide*, in PDF format, containing detailed information can be found on the MultiModemZPX CD.

### We Supply

- An MT5634ZPX-PCI data / fax modem
- An RJ-11 telephone cable
- This printed *Quick Start Guide*
- A MultiModemZPX system CD containing the modem driver, Global Wizard utility, data communications software (PhoneTools), Adobe Acrobat Reader, and the *User Guide*.

If any item is missing, please contact Multi-Tech Systems or your dealer/distributor (see the User Guide for information on contacting Multi-Tech).

### You Supply

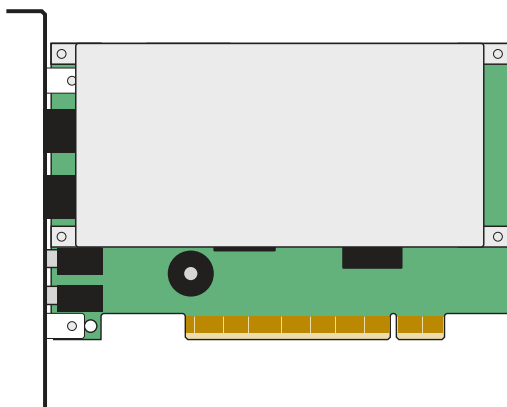
In addition to the contents of the MultiModemZPX package, you will need the following items:

- A 100-MHz or faster Pentium personal computer with an available PCI expansion slot. For video conferencing, we recommend a 166-MHz or faster computer.
- Windows 98 or above, or Linux (2.2.x kernel) operating system installed
- A CD-ROM drive
- Tools to open your computer
- A nearby telephone line jack
- A 3.58mm (9/64-inch) plug male-to-male stereo patch cord (optional)
- An external speaker or headphone (optional)
- An external microphone (optional)

### Safety Warnings

- Use this product only with UL- and CUL-listed computers.
- To reduce the risk of fire, use only UL-listed 26 AWG (.41mm) or larger telephone wiring.
- Never install telephone wiring during a lightning storm.
- Never install a telephone jack in a wet location unless the jack is specifically designed for wet locations.
- Never touch uninsulated telephone wires or terminals unless the telephone line has been disconnected at the network interface.
- Use caution when installing or modifying telephone lines.
- Avoid using a telephone during an electrical storm; there is a risk of electrical shock from lightning.
- Do not use a telephone in the vicinity of a gas leak.

### Step 1: Install the MultiModemZPX into Your Computer

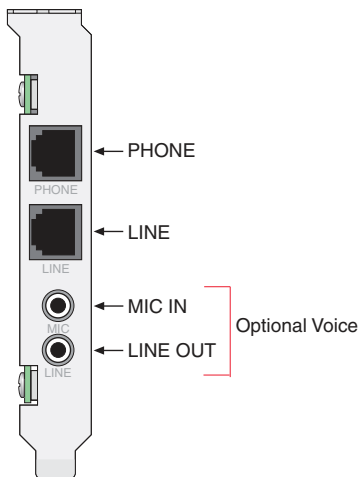


1. Turn off the computer and unplug it. Failure to do so may result in damage to both the MultiModemZPX and the computer. Do not turn on the computer until the instructions tell you to do so.
2. Remove the cover from the PC as instructed in the PC manual.

3. Select an available PCI expansion slot. Remove the expansion slot cover and save the retaining screw.
4. Before handling the MultiModemZPX, discharge static in your body by touching a metal piece of the computer chassis. Carefully remove the MultiModemZPX from its antistatic bag, handling it only by the mounting bracket and edges. Do not touch the gold-plated connectors along the bottom edge.
5. Place the MultiModemZPX directly above the expansion slot and gently, but firmly, push it into the connector until the card's retaining bracket is flush against the computer chassis.
6. Fasten the retaining bracket to the computer chassis with the screw saved in step 3.
7. Replace the cover of the computer.

### Step 2: Make the External Connections

Now, connect the MultiModemZPX to the telephone line and, optionally, to your telephone. For voice mail or speakerphone, you can also connect it to a microphone and an external speaker, headphone, or sound card. The microphone can be used for recording answering machine messages or for speakerphone use. The speaker or headphone can be used for playing back messages or as a speakerphone.



### ***Line Connection***

Plug one end of the provided telephone cable into the modem's LINE jack, and the other end into a telephone wall jack. This is the only required connection.

**Important:** The LINE jack is not interchangeable with the PHONE jack. Do not plug the phone into the LINE jack or the line cable into the PHONE jack.

**Note:** The Federal Communications Commission (FCC) and Industry Canada impose certain restrictions on equipment connected to public telephone systems.

### ***Phone Connection (Optional)***

If you wish to connect a telephone to the same line as the modem, plug it into the modem's PHONE jack.

**Important:** The PHONE jack is not interchangeable with the LINE jack. Do not plug the phone into the LINE jack or the line cable into the PHONE jack.

### ***Microphone Connection (Optional)***

For voice mail or speakerphone applications, plug an unamplified microphone into the MIC jack. The microphone should have a stereo 3.58mm (9/64-inch) mini plug. Do not use a monophonic microphone.

### **Step 3: Install the Modem Driver**

If you use Windows 98 or newer, you must install the modem driver. The modem driver tells Windows how to control the modem. If you use a Linux operating system or the SCO OpenServer operating system, please see the *User Guide* for installation instructions.

#### ***Installing the Modem Driver in Windows 98/Me/2000/XP***

1. Make sure your modem is connected properly, and then turn on your computer. Windows should detect your new modem and open the **Install New Modem** wizard.

**Note:** If Windows cannot find a modem, it may be plugged into the wrong connector on your computer. See “Solving Problems” in the *User Guide*.

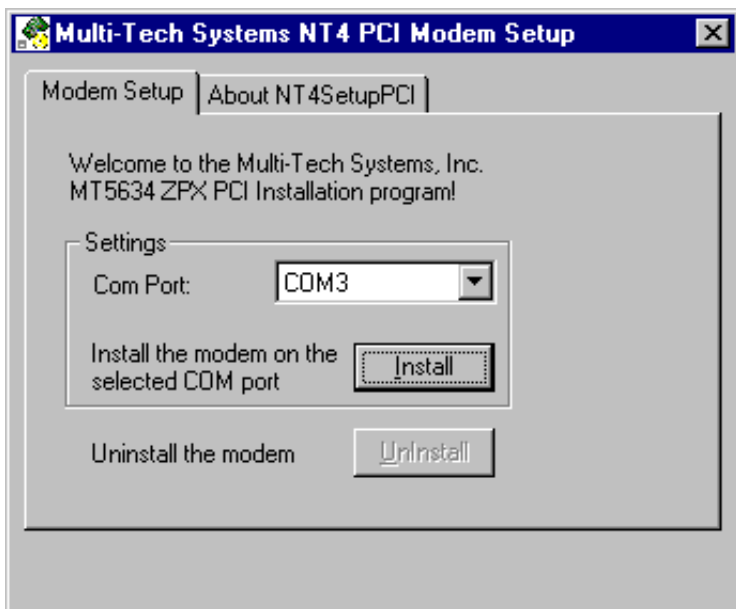
2. Insert the system CD into your CD-ROM drive, and then click **OK**.
3. Windows installs the modem driver.
4. Click **Finish** to exit.

#### ***Installing the Modem Driver in Windows NT 4.0***

Before you begin a Windows NT installation, make sure Windows NT Service Pack 3 or newer is installed on the computer. Also, to add and remove devices you must be logged on with Administrator privileges.

1. After installing the MultiModemZPX modem into your computer, turn the computer on and allow Windows NT to start.
2. Insert the MultiModemZPX system CD into your computer's CD-ROM drive.
3. When the **MT5634ZPX-PCI Autorun** menu appears, choose **Windows NT Setup**.

- The **Multi-Tech Systems NT4 PCI Modem Setup** dialog box shows the COM port assigned to the modem. You can change the COM port assignment by clicking the down arrow and selecting an available COM port.



- Now click **Install**. The MultiModemZPX driver is installed on the selected COM port.
- When a message asking you to restart the computer appears, remove the CD from the CD-ROM drive, and then click **OK** to restart the computer.



## **Step 4: Configure the Modem for Your Country**

Different countries have different requirements for how modems must function. Therefore, before you use your modem, you must configure it to match the defaults of the country in which you are using it. You can use one of two configuration methods:

- Using the Global Wizard to Configure Your Modem
- Using AT Commands to Configure Your Modem

### ***Using the Global Wizard to Configure Your Modem***

The Global Wizard configuration utility is recommended for computers running Windows 98/Me/2000/XP/NT 4.0.

1. Insert the MultiModemZPX system CD into the CD-ROM drive. The **Autorun** dialog box appears.
2. Click **Initial Setup and Country Selection**.
3. Choose either:
  - **Run Global Wizard from CD**. This will not load the wizard onto your hard drive, or
  - **Install Global Wizard on the HD**. This will install the wizard onto your hard drive for future use.
4. The **Global Wizard** dialog box appears. Click **Next**.
5. The Wizard searches for your modem and identifies it. Click **Next**.
6. Select the country in which the modem will be used. Click **Next**.
7. Review your choice of country. If it is correct, click **Next** to configure the modem.
8. When Global Wizard announces that the parameters have been set, click **Finish** to exit.

### Using AT Commands to Configure Your Modem

Non-Windows users can configure the modem using AT commands. You must enter these commands in your communication program's terminal window.

1. Run your favorite communication program or use PhoneTools (located on the CD packaged with your modem) and open the program's terminal window.

2. To configure the modem for a specific country:

Type **AT%T19,0,nn** (where **nn** is the country code in hexadecimal format)

Press **ENTER**.

The message **OK** displays.

3. To verify the change:

Type **AT19**.

Press **ENTER**.

The country code is displayed in decimal format, as in this example:

Country	AT command (hexadecimal)	Result code (decimal)
Euro/NAM	AT%T19,0,34 (default)	52

The complete list of country codes can be found on the Multi-Tech Web site at <http://www.multitech.com/GlobalModem/config>.

### Step 5: Install the Software (PhoneTools)

You may use either the communication software included with your modem or a third-party program. Communication programs designed for Windows 98+ normally do not need to be manually configured, since they use the Plug and Play configuration of the Windows modem driver. Communication programs designed for other operating systems, however, may need to be manually configured. If you need advice on configuring software, please see the *User Guide*.



