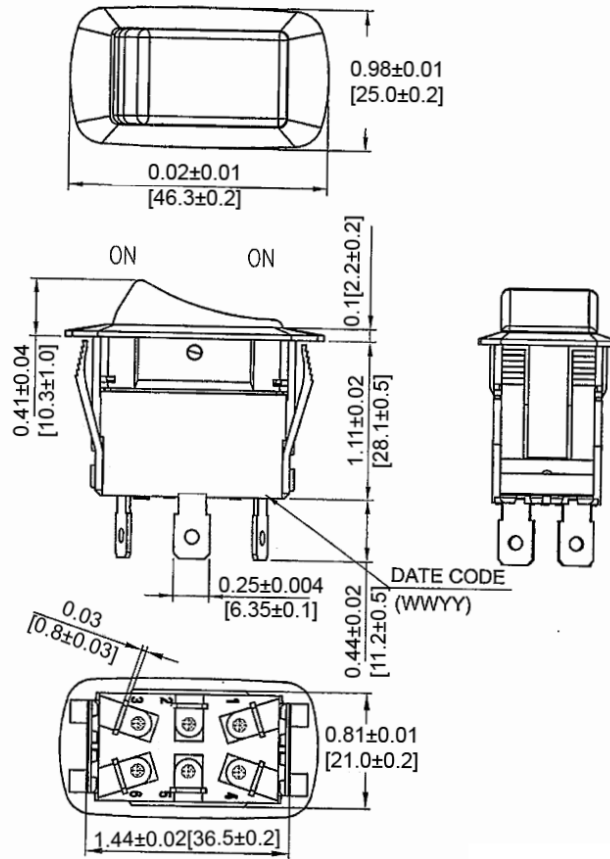
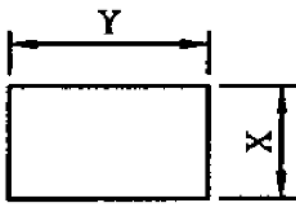


## Mechanical Dimensions: Inches [mm]

Tolerances  $\pm 0.012$  [0.3] Unless Otherwise Specified



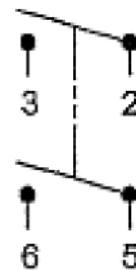
## Mounting Hole



Thickness	X	Y
0.03~0.05 [0.75~1.25]	0.83+0.004 [21.2+0.1]	1.44+0.004 [36.6+0.1]
0.05~0.1 [1.25~2.0]	0.83+0.004 [21.2+0.1]	1.45+0.004 [36.8+0.1]
0.1~0.12 [2.0~3.0]	0.83+0.004 [21.2+0.1]	1.46+0.004 [37.0+0.1]

## Circuit Diagram

6P DPDT ON-ON



## Electrical Specifications

<b>Rating</b>	16A 125VAC 10A 277VAC 3/4HP 16(4)A 125/250V AC
<b>Contact Resistance</b>	50m ohm Max
<b>Insulation Resistance</b>	DC 500V 100M ohm Min
<b>Dielectric Strength</b>	AC 1500V 1 minute
<b>Operation Temperature</b>	-20°C~85°C

## Material Specifications

<b>Frame</b>	Black, Nylon 66
<b>Actuator</b>	Black, Nylon 66+33%GF
<b>Waterproof</b>	IP56

Rev	Date of issue	Revision Notes	Designed	Approved
B	12-01-2021	Initial Drawing	RC	OF