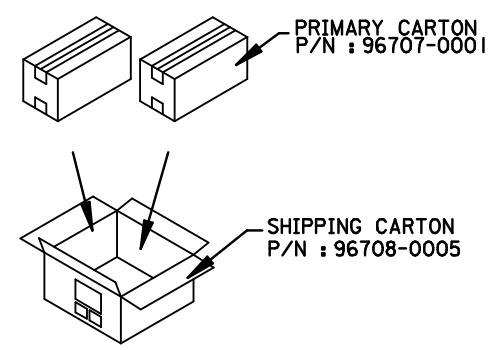
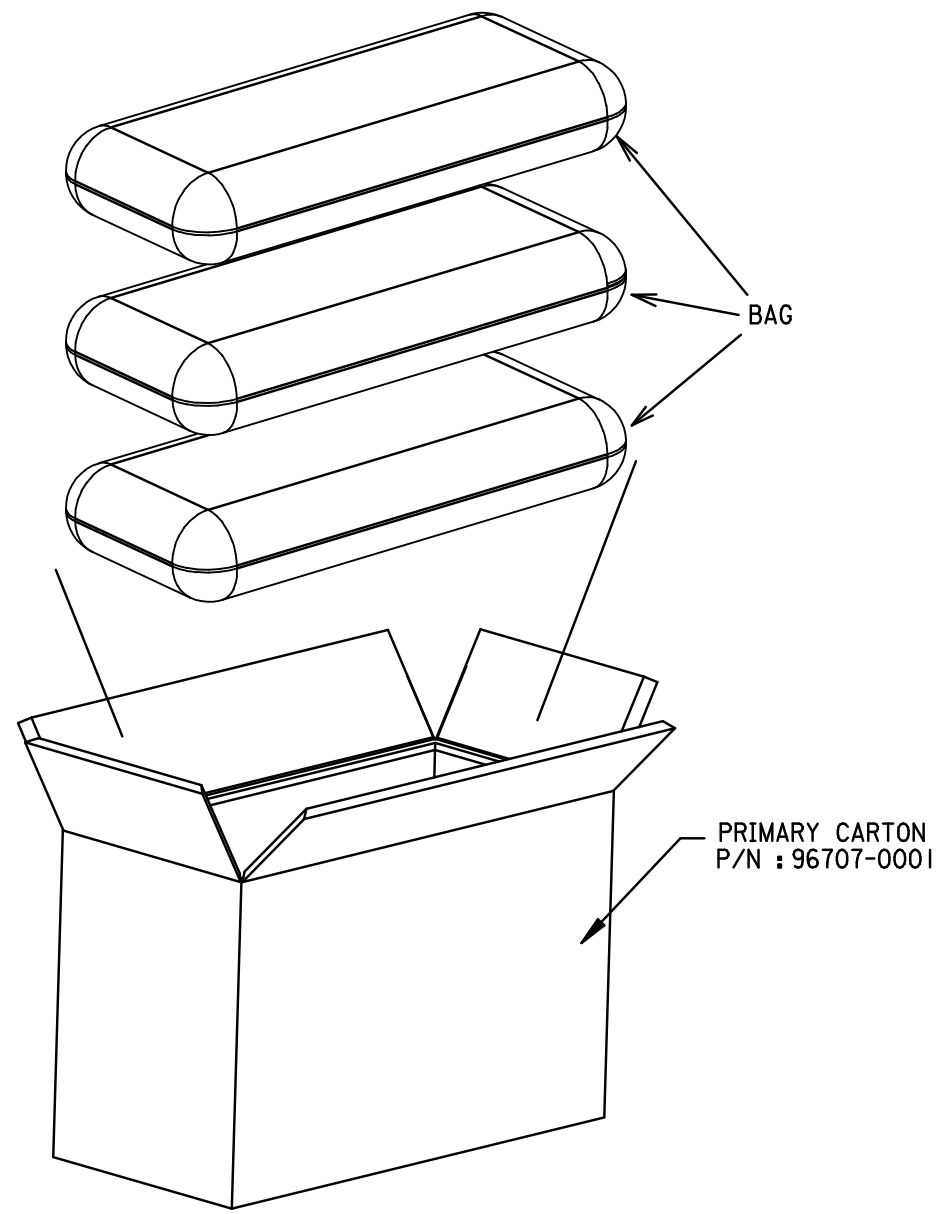


PRODUCT P/N	PARTS PER CARTON (S.P.Q)	PARTS PER BAG	TOTAL BAG PER CARTON
FOR 67491 SERIES	3000	1000	3
FOR 67582-0000	3500	500	7

- NOTES :
1. STAPLES SHOULD ONLY BE USED TO SET UP CARTON.
ALL CARTON CLOSURES MUST BE DONE WITH TAPE.
 2. FILL PACKAGING BAGS WITH THE QUANTITIES AS INDICATED IN THE CHART
 3. A QUANTITY OF 3000 HOUSINGS PER PRIMARY CARTON
A QUANTITY OF 6000 HOUSINGS PER SHIPPING CARTON
SHIPPING CARTON P/N : 96708-0005



REVISED EC NO: SH2013-0284 DRWN:GLLI CHKD: APPR:AYIN 2013/04/08	QUALITY SYMBOLS $F_A=0$ $F_C=0$ $F_P=0$	GENERAL TOLERANCES (UNLESS SPECIFIED) mm INCH 4 PLACES ± --- ± --- 3 PLACES ± --- ± --- 2 PLACES ± --- ± --- 1 PLACE ± --- ± --- 0 PLACE ± --- ± ---	DIMENSION STYLE MM ONLY DRAWN BY: GLLI DATE: 2013/03/14 CHECKED BY: DATE:	SCALE: DESIGN UNITS: METRIC THIRD ANGLE PROJECTION	TITLE: PACKING SPECIFICATION FOR SATA POWER CABLE RECEPTACLE molex DOCUMENT NO. PK-67582-001 SHEET NO. 1 OF 1
	DRAFT WHERE APPLICABLE MUST REMAIN WITHIN DIMENSIONS	ANGULAR ± 3 °	APPROVED BY: AYIN DATE: 2013/04/08	MATERIAL NO.	
	SEE CHART		THIS DRAWING CONTAINS INFORMATION THAT IS PROPRIETARY TO MOLEX INCORPORATED AND SHOULD NOT BE USED WITHOUT WRITTEN PERMISSION		
	SIZE A3				