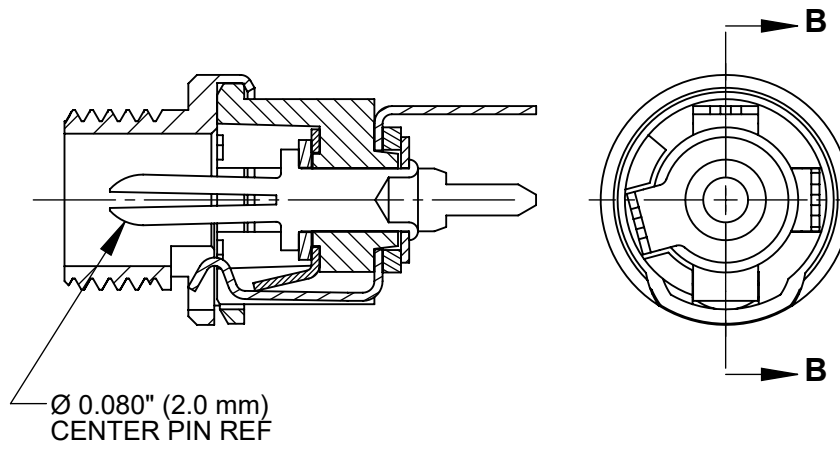
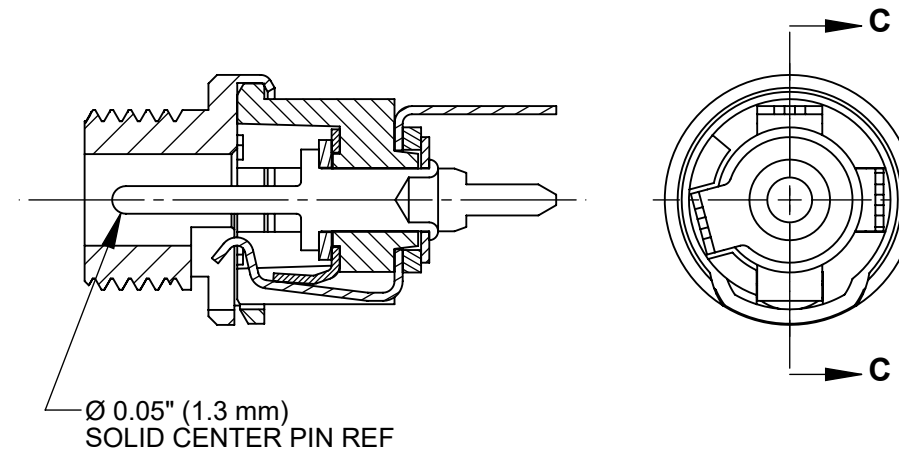


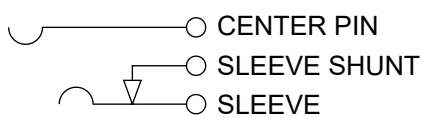
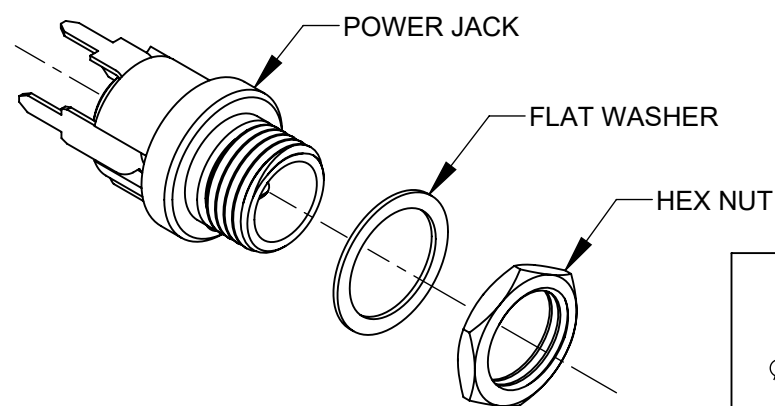
PC712AH



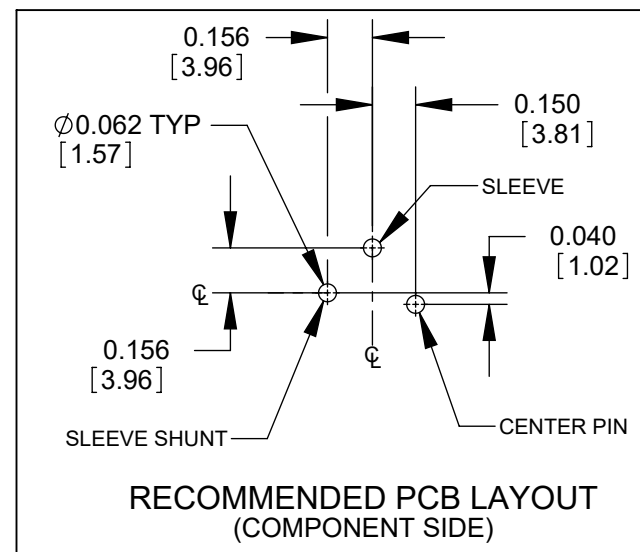
PC722AH



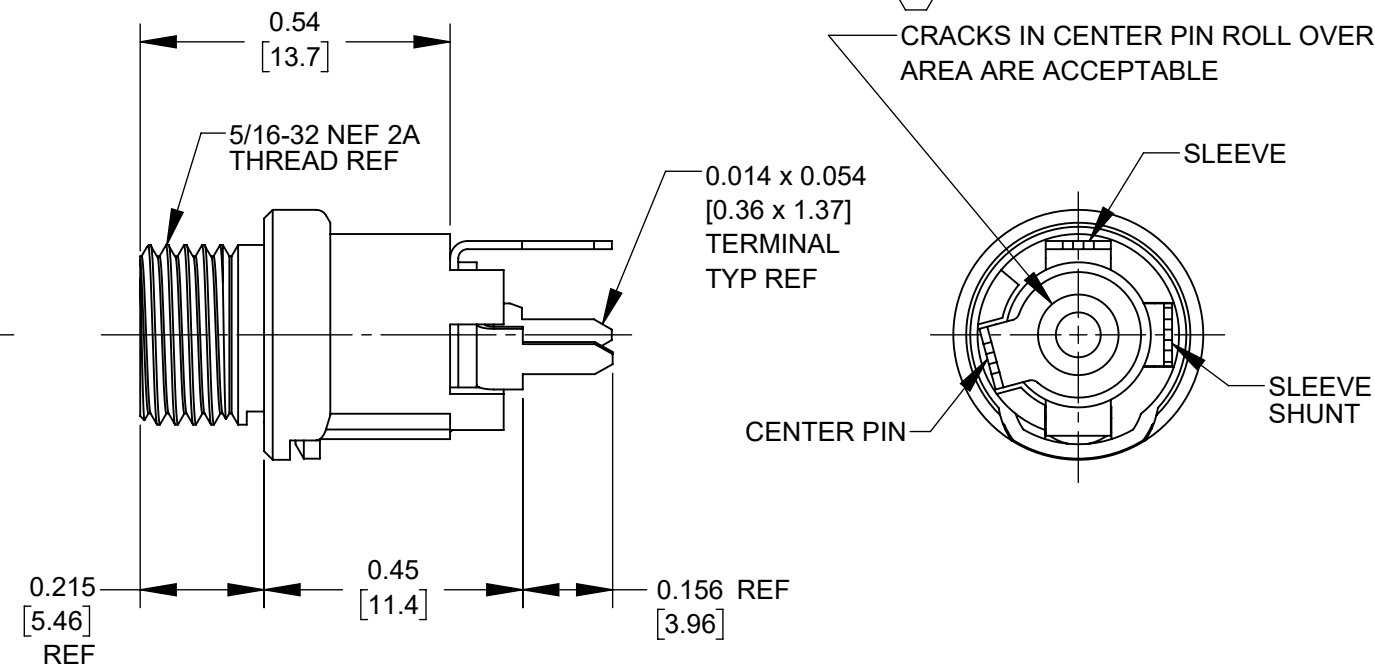
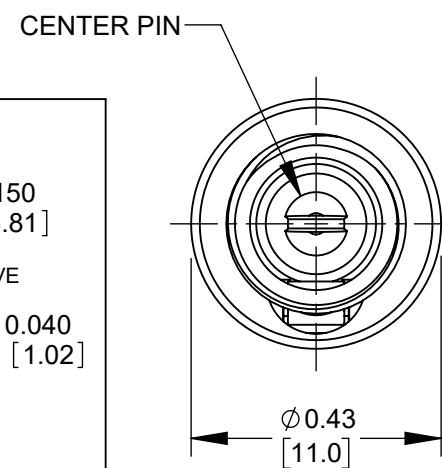
PC732AH



SCHEMATIC



**RECOMMENDED PCB LAYOUT
(COMPONENT SIDE)**



CUSTOMER DRAWING

NOTES:

- DIMENSIONS SHOWN FOR REFERENCE ONLY.
- HEX NUT AND FLAT WASHER SUPPLIED UNASSEMBLED.
- MATERIAL:**
HOUSING, HEX NUT - COPPER ALLOY, NICKEL PLATED
INSULATOR HOUSING - THERMOPLASTIC, BIEGE
TERMINAL INSULATORS - PHENOLIC
FLAT WASHER - STEEL, NICKEL PLATED
PIN, SPRING, TERMINALS - COPPER ALLOY, SILVER PLATED
- B** IT IS RECOMMENDED THAT THE JACK MOUNTING NUT BE TIGHTENED SNUG BY HAND BEFORE APPLYING A FINAL TIGHTENING TORQUE OF 8-10 LB-IN USING HAND TOOLS ONLY. POWER DRIVER OR IMPACT DRIVERS ARE NOT RECOMMENDED.
- THESE PRODUCTS ARE RoHS COMPLIANT

REV	ECO NUMBER	DATE	BY	APVD
B	28397	06/11/21	PC	TJK
A	27941	09/06/17	PC	TJK
REVISIONS				

UNLESS OTHERWISE SPECIFIED	
1. ALL DIMENSIONS IN INCHES [mm]	
- TWO PLACE DECIMALS ±0.02 [0.5]	
- THREE PLACE DECIMALS ±0.005 [0.13]	
DO NOT SCALE DRAWING	

THIS DRAWING DESCRIBES A DESIGN CONSIDERED PROPRIETARY IN NATURE, DEVELOPED AND MANUFACTURED BY SWITCHCRAFT INC. AND IS RELEASED ON A CONFIDENTIAL BASIS FOR IDENTIFICATION PURPOSES ONLY.									
SIZE	WIDTH	MULT	LBS/M	TEMPER					
FINISH					MATERIAL				
SPEC No.					SPEC No.				
FIRST USED ON					SCALE				
					3:1				
DATE DRAWN	BY	CHKD	APVD	Switchcraft [®]					
6/27/16	PNK	PNK	SRC						
					SHEET 1 OF 1				
NAME					PART No.				
HT POWER JACKS					PC712AH PC722AH PC732AH				
PC7_2AH SERIES, RoHS					REV B				