

4

3

2

1

THIS DRAWING IS UNPUBLISHED.

RELEASED FOR PUBLICATION

20

© COPYRIGHT 20

BY -

ALL RIGHTS RESERVED.

REVISIONS

| P | LTR | DESCRIPTION | DATE | DWN | APVD |
|---|-----|---------------------------|-----------|-----|------|
| | A4 | REVISED PER ECO-15-009269 | 25SEP2015 | DD | LV |
| | A5 | REVISED PER ECO-16-005357 | 06APR2016 | DD | LV |
| | | | | | |
| | | | | | |

1 POLYESTER PBT, COLOR: SEE TABLE.

2 JACK HOUSING INTERFACE PER DIN 72594-1, ROAD VEHICLES - RADIO FREQUENCY INTERFACE - DIMENSIONS AND ELECTRICAL REQUIREMENTS.

3. SEE INSTRUCTION SHEET 408-10028.

4 DIMENSION APPLIES TO ALL CODING RIBS.

7.55 MAX

7.50 MAX

3.97 MAX

21.38±0.20

11.45±0.20

11.56±0.20

Ø 3.8 MIN

COMPANY LOGO

ISOMETRIC VIEW

| | | | |
|--------------|------------|----------------|-------------|
| PER DETAIL K | K | CURRY | 1-1438887-0 |
| PER DETAIL I | I | BEIGE | 1438887-9 |
| PER DETAIL H | H | HEATHER VIOLET | 1438887-8 |
| PER DETAIL G | G | BLUE GRAY | 1438887-7 |
| PER DETAIL F | F | NUT BROWN | 1438887-6 |
| PER DETAIL E | E | LEAF GREEN | 1438887-5 |
| PER DETAIL D | D | CLARET VIOLET | 1438887-4 |
| PER DETAIL C | C | SIGNAL BLUE | 1438887-3 |
| PER DETAIL B | B | SIGNAL WHITE | 1438887-2 |
| KEYING | CODING REF | HOUSING COLOR | PART NUMBER |

THIS DRAWING IS A CONTROLLED DOCUMENT.

| DIMENSIONS: | TOLERANCES UNLESS OTHERWISE SPECIFIED: |
|-------------|--|
| mm | |
| | 0 PLC ±- |
| | 1 PLC ±- |
| | 2 PLC ±- |
| | 3 PLC ±- |
| | 4 PLC ±- |
| | ANGLES ±- |
| MATERIAL | FINISH |
| - | - |
| - | - |

| | |
|-------------|-----------|
| DWN | 04JAN2006 |
| D. J. HARDY | |
| CHK | 05JAN2006 |
| J. W. HALL | |
| APVD | 05JAN2006 |
| J. W. HALL | |

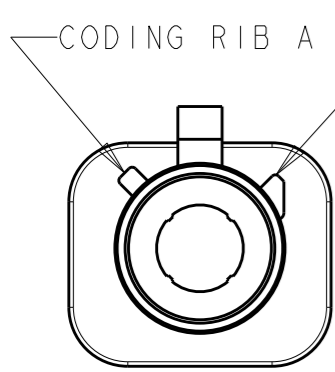
| | |
|------------------|-----------|
| PRODUCT SPEC | - |
| APPLICATION SPEC | 114-13157 |
| WEIGHT | - |
| CUSTOMER DRAWING | |

| | | | |
|--|-----------|------------|---------------|
| STE TE Connectivity | | | |
| NAME JACK HOUSING, 1 POSITION, FAKRA, SMB | | | |
| SIZE | CAGE CODE | DRAWING NO | RESTRICTED TO |
| A3 | 00779 | C-1438887 | - |
| SCALE | | SHEET | REV |
| 4:1 | | 1 OF 2 | A5 |

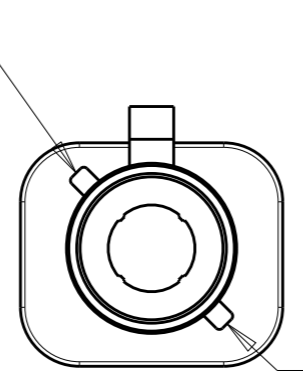
1470-19 (3/13)

THIS DRAWING IS UNPUBLISHED. RELEASED FOR PUBLICATION 20
 © COPYRIGHT 20 BY - ALL RIGHTS RESERVED.

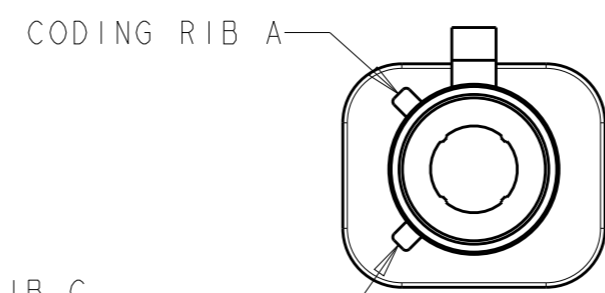
| REVISIONS | | | | | |
|-----------|-----|-------------|------|-----|------|
| P | LTR | DESCRIPTION | DATE | DWN | APVD |
| | - | SEE SHEET 1 | - | - | - |
| | | | | | |
| | | | | | |



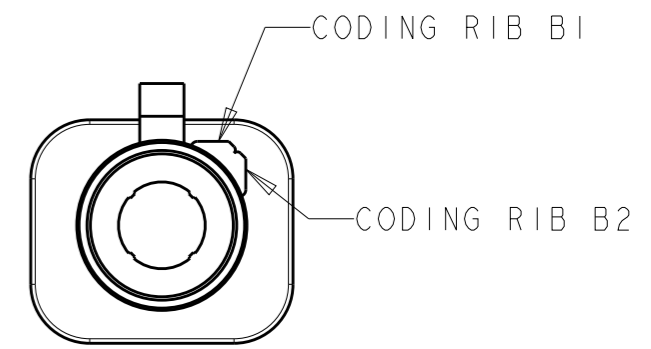
DETAIL B
SCALE 3:1



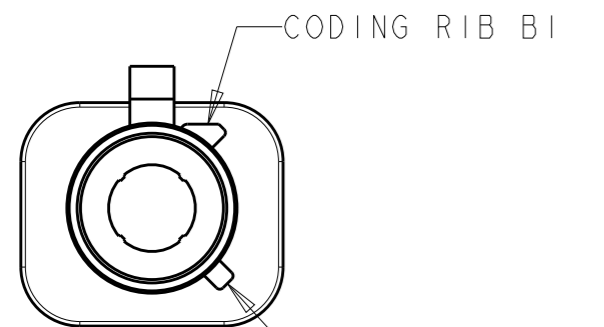
DETAIL C
SCALE 3:1



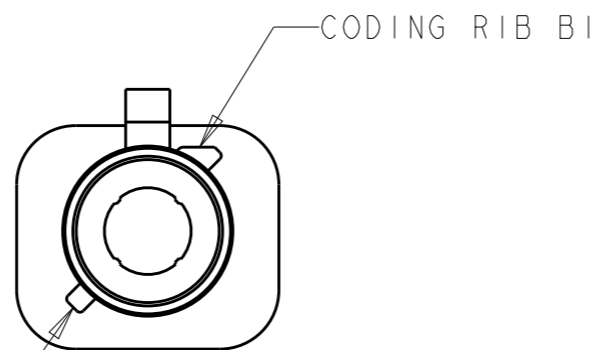
DETAIL D
SCALE 3:1



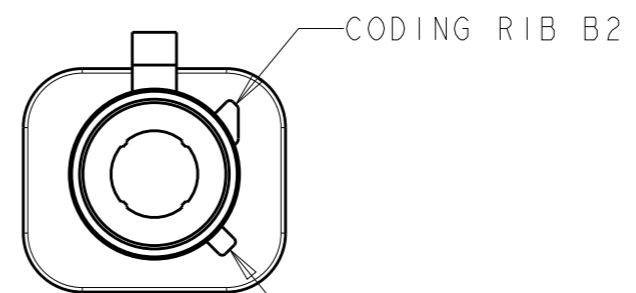
DETAIL E
SCALE 3:1



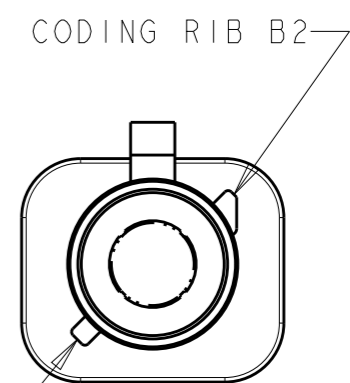
DETAIL F
SCALE 3:1



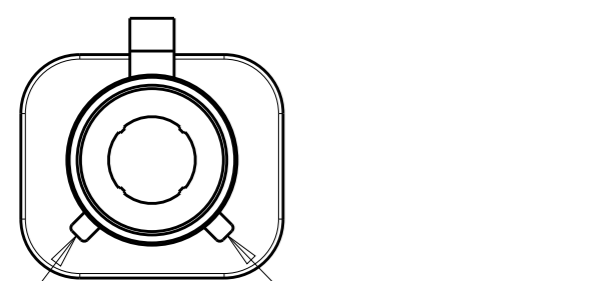
DETAIL G
SCALE 3:1




DETAIL H
SCALE 3:1



DETAIL I
SCALE 3:1



DETAIL K
SCALE 3:1

| | | | | |
|---|--|-----------------------------------|---|--------------------|
| THIS DRAWING IS A CONTROLLED DOCUMENT. | | DWN D. J. HARDY 04 JAN 2006 |  TE Connectivity | |
| DIMENSIONS: mm | | CHK J. W. HALL 05 JAN 2006 | | |
| TOLERANCES UNLESS OTHERWISE SPECIFIED: | | APVD J. W. HALL 05 JAN 2006 | NAME JACK HOUSING, 1 POSITION, FAKRA, SMB | |
| 0 PLC ±- 1 PLC ±- 2 PLC ±- 3 PLC ±- 4 PLC ±- ANGLES ±- | | PRODUCT SPEC - | RESTRICTED TO - | |
| MATERIAL - | | APPLICATION SPEC 114-13157 | SIZE A3 | CAGE CODE 00779 |
| FINISH - | | WEIGHT - | DRAWING NO C-1438887 | |
| | | CUSTOMER DRAWING | SCALE 4:1 | SHEET 2 OF 2 |
| | | | REV A5 | |