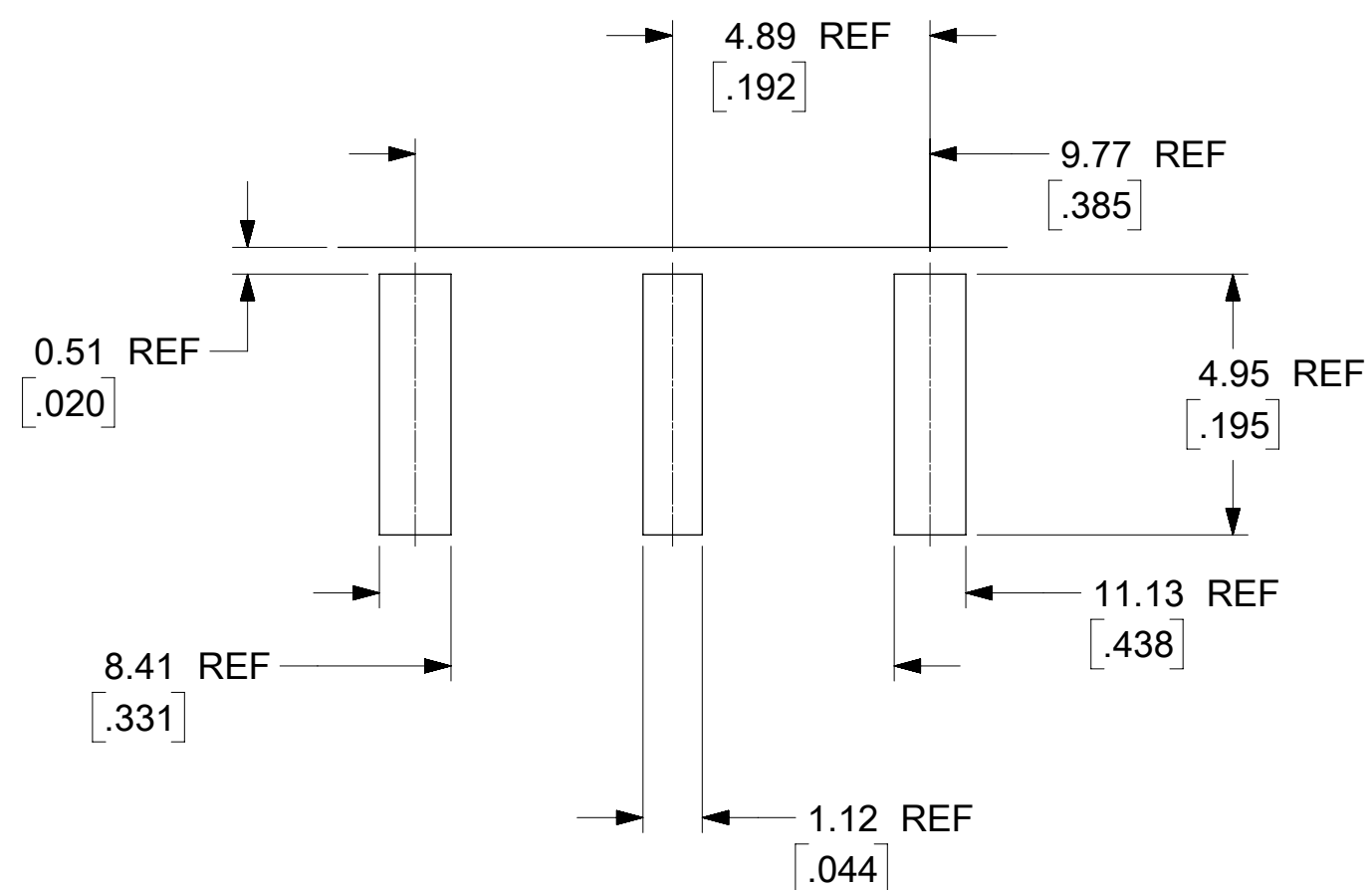
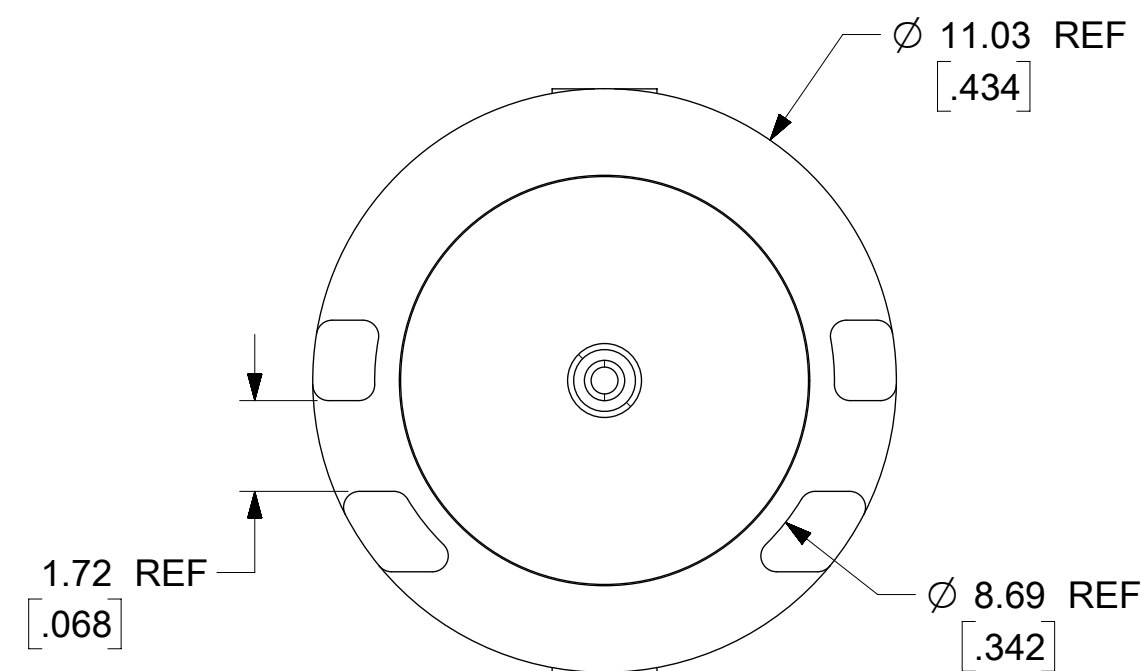
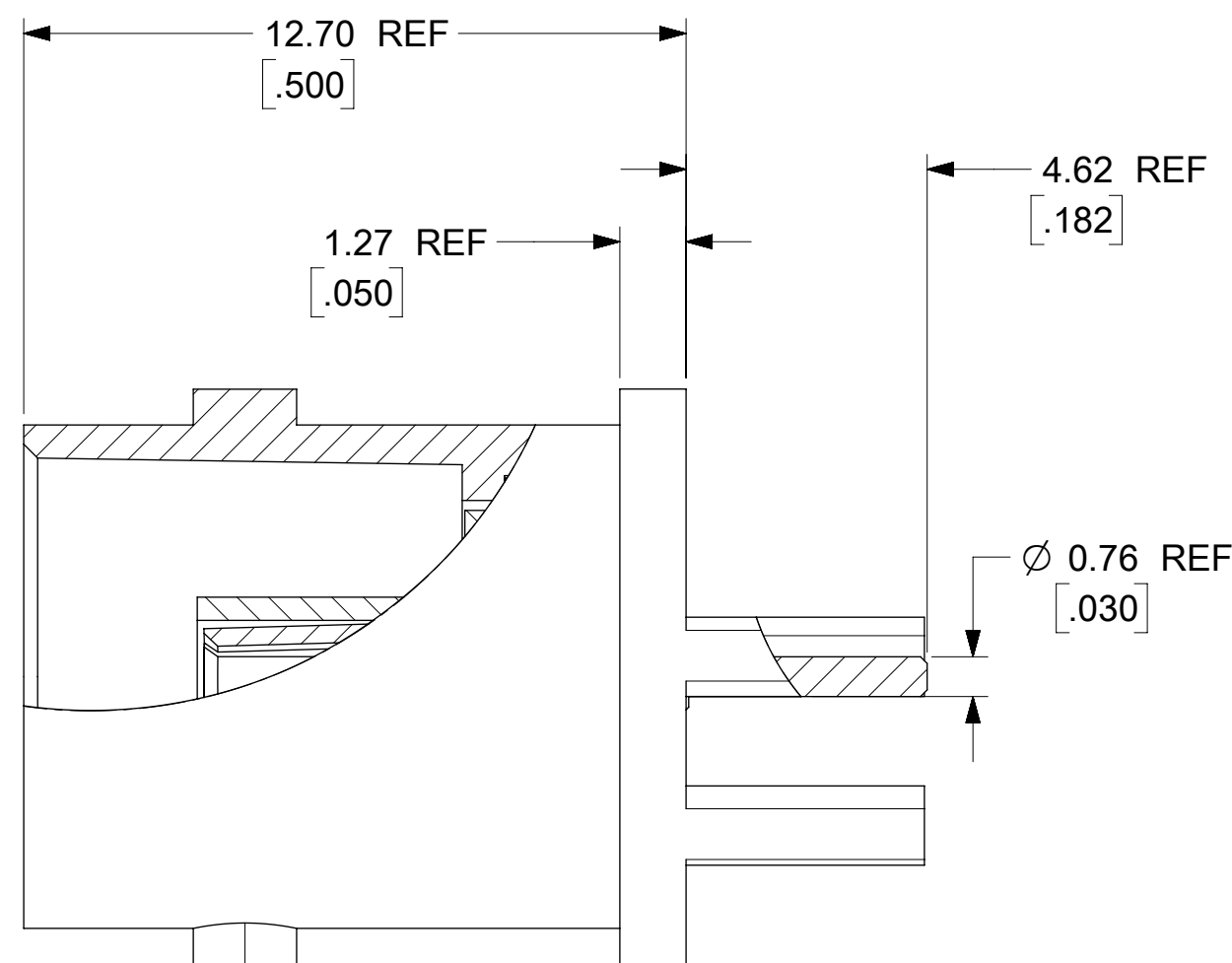
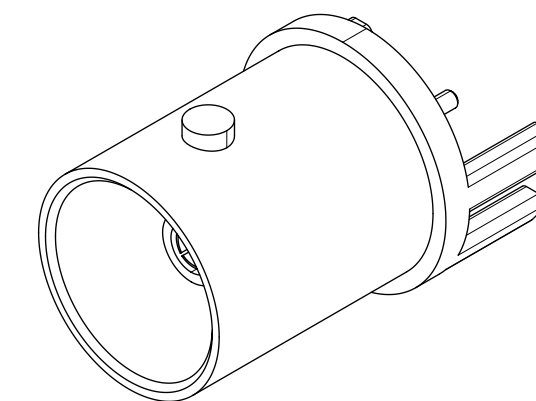


MATERIALS AND FINISHES

BODY: ZINC ALLOY  
PLATED NICKEL

CONTACT: BERYLLIUM COPPER  
PLATED GOLD

INSULATOR: TEFLON



PCB LAYOUT

73171-0781	ONE PER BAG. PER 89542-0080
73171-0780	BY TRAY PER PK-89542-006
PART NO.	PACKAGING

PS-89675-2020	ELEC/MECH PERFORMANCE
SPECIFICATION	DESCRIPTION

A6	2018/07/25	ADD PKG NOTE PER GLSS
REV.	DATE	DESCRIPTION

SYMBOLS	THIS DRAWING CONTAINS INFORMATION THAT IS PROPRIETARY TO MOLEX ELECTRONIC TECHNOLOGIES, LLC AND SHOULD NOT BE USED WITHOUT WRITTEN PERMISSION			
	DIMENSION UNITS	SCALE	CURRENT REV DESC:	
▽ = 0	HYBRID		EC NO: 601968	
▽ = 0	GENERAL TOLERANCES (UNLESS SPECIFIED)		DRWN: CWEI02	2018/07/24
▽ = 0			CHK'D: YCHENG	2018/08/03
▽ = 0	4 PLACES ±	±	APPR: YCHENG	2018/08/03
▽ = 0	3 PLACES ±	±	INITIAL REVISION:	
▽ = 0	2 PLACES ±	±	DRWN: GMH	1999/02/26
▽ = 0	1 PLACE ±	±	APPR: GMH	1999/02/26
▽ = 0	0 PLACES ±	±	ANGULAR TOL ± 2.0 °	
▽ = 0	DRAFT WHERE APPLICABLE MUST REMAIN WITHIN DIMENSIONS		THIRD ANGLE PROJECTION	DRAWING SERIES
▽ = 0			C-SIZE	73171
		DOCUMENT NUMBER		DOC TYPE DOC PART REVISION
		SD-73171-078		PSD 001 A6
DOCUMENT STATUS		P1	RELEASE DATE	2018/08/03 06:08:10
MATERIAL NUMBER		CUSTOMER		SHEET NUMBER
SEE TABLE		GENERAL MARKET		1 OF 1