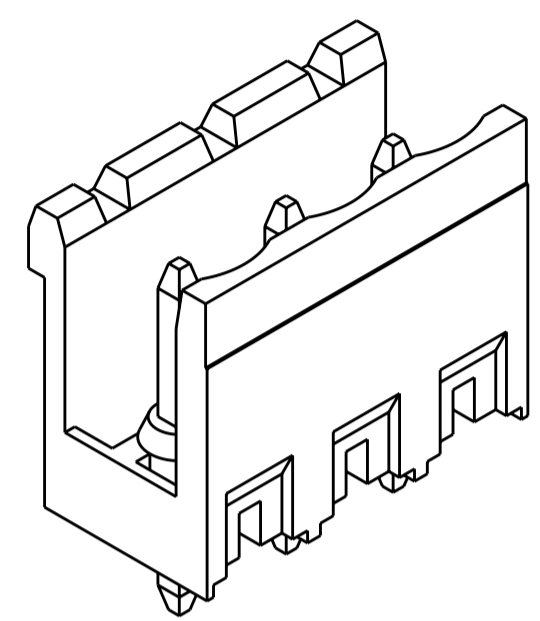
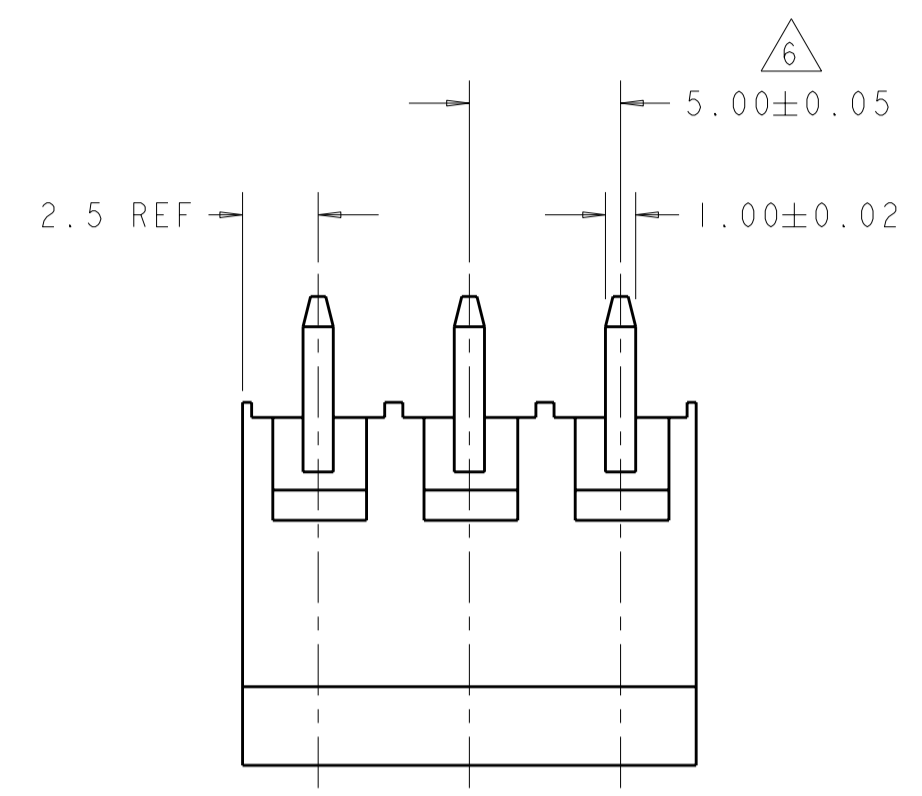


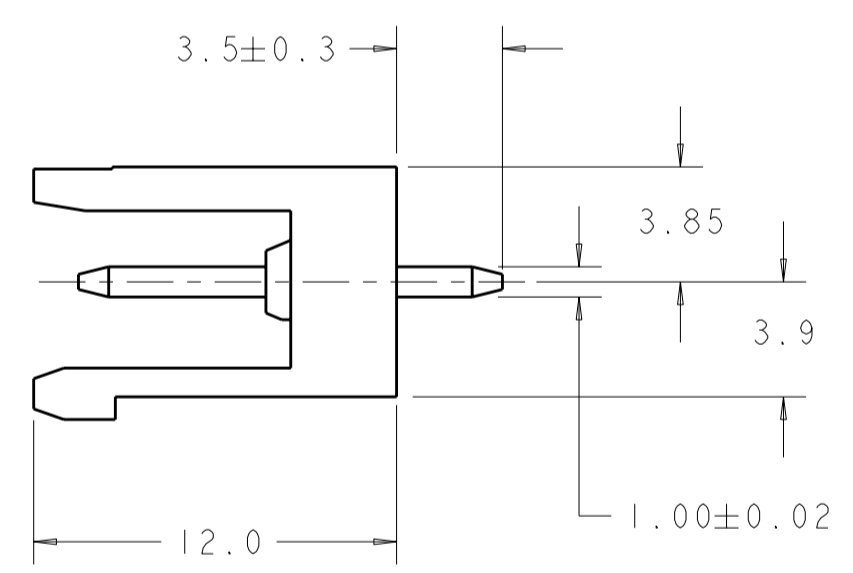
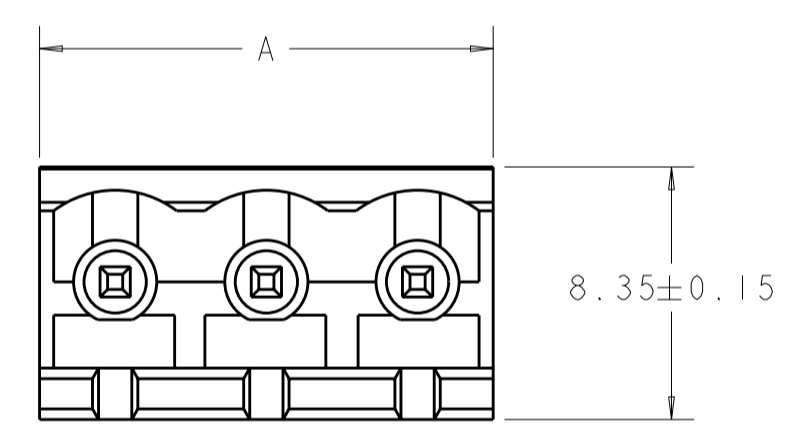
THIS DRAWING IS UNPUBLISHED. RELEASED FOR PUBLICATION 20
 © COPYRIGHT 20 Tyco Electronics AMP GmbH ALL RIGHTS RESERVED.

LOC	DIST	REVISIONS			
P	LTR	DESCRIPTION	DATE	DWN	APVD
FT	0	AI	REVISED PER ECO-12-007964	02MAY2012	KH MS

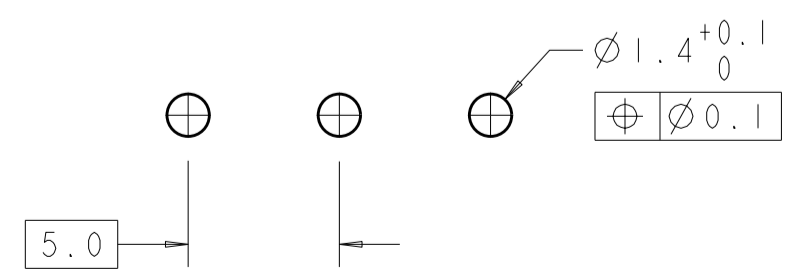


1546212-3 AS SHOWN

- 1. MATERIALS AND FINISH
 HOUSING: PA 6-6, UL 94-V0, COLOR: GRAY.
 TERMINAL: COPPER ALLOY, TIN PLATED.
 - 2. SUITABLE FOR 1,6-2,4mm PC BOARD THICKNESS.
 - 3. END-TO-END STACKABLE WITHOUT LOSS OF CENTERLINE SPACING.
 - 4. RECOGNIZED UNDER THE COMPONENT PROGRAM OF UNDERWRITERS LABORATORIES INC., FILE N° E60677.
 - 5. IMQ CERTIFICATE WITH SURVEILLANCE IN CONFORMITY WITH IEC 998-1/998-2-1.
6. NOT CUMULATIVE TOLERANCE.



125.0	25	2-1546212-5
120.0	24	2-1546212-4
115.0	23	2-1546212-3
110.0	22	2-1546212-2
105.0	21	2-1546212-1
100.0	20	2-1546212-0
95.0	19	1-1546212-9
90.0	18	1-1546212-8
82.0	17	1-1546212-7
80.0	16	1-1546212-6
75.0	15	1-1546212-5
70.0	14	1-1546212-4
65.0	13	1-1546212-3
60.0	12	1-1546212-2
55.0	11	1-1546212-1
50.0	10	1-1546212-0
45.0	9	1546212-9
40.0	8	1546212-8
35.0	7	1546212-7
30.0	6	1546212-6
25.0	5	1546212-5
20.0	4	1546212-4
15.0	3	1546212-3
10.0	2	1546212-2
A	NO OF POSN	PART NUMBER



RECOMMENDED PC BOARD LAYOUT

THIS DRAWING IS A CONTROLLED DOCUMENT.

DIMENSIONS:	TOLERANCES UNLESS OTHERWISE SPECIFIED:	DWN	27FEB2004	TE Connectivity STE	
mm	0 PLC ±.2 1 PLC ±.2 2 PLC ±.25 3 PLC ±. 4 PLC ±. ANGLES ±2 FINISH	CHK	27FEB2004		
		APVD	27FEB2004		
		PRODUCT SPEC	108-20166		
MATERIAL		APPLICATION SPEC	114-20079	NAME	TERMINAL BLOCK HEADER ASSEMBLY 180 DEGREE, OPEN ENDS, STACKING 5.00mm PITCH
		WEIGHT	-	SIZE	A2
		CUSTOMER DRAWING		CAGE CODE	00779
				DRAWING NO	1546212
				RESTRICTED TO	-
				SCALE	4:1
				SHEET	1 OF 1
				REV	A1