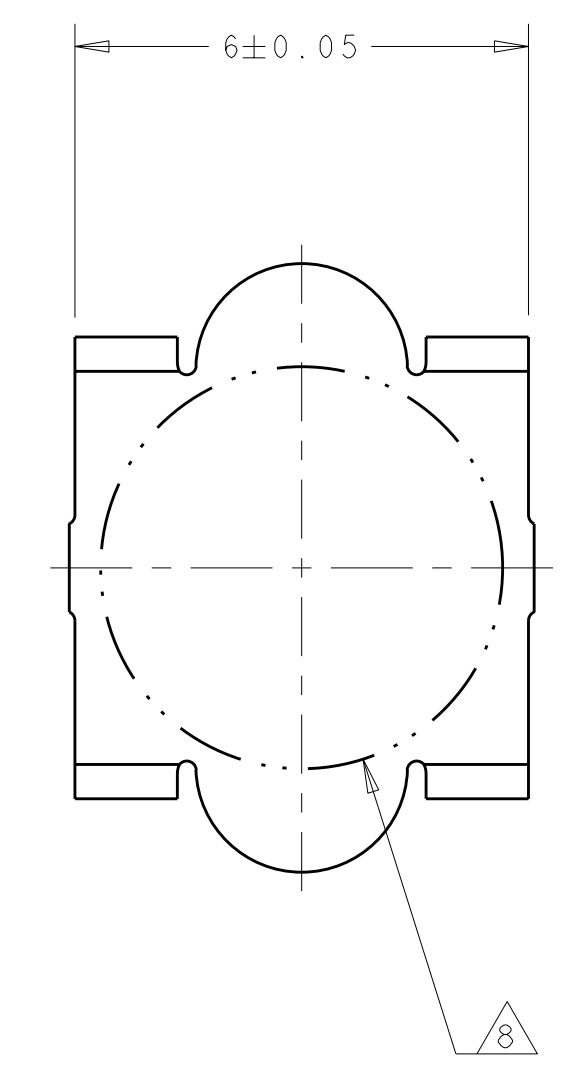
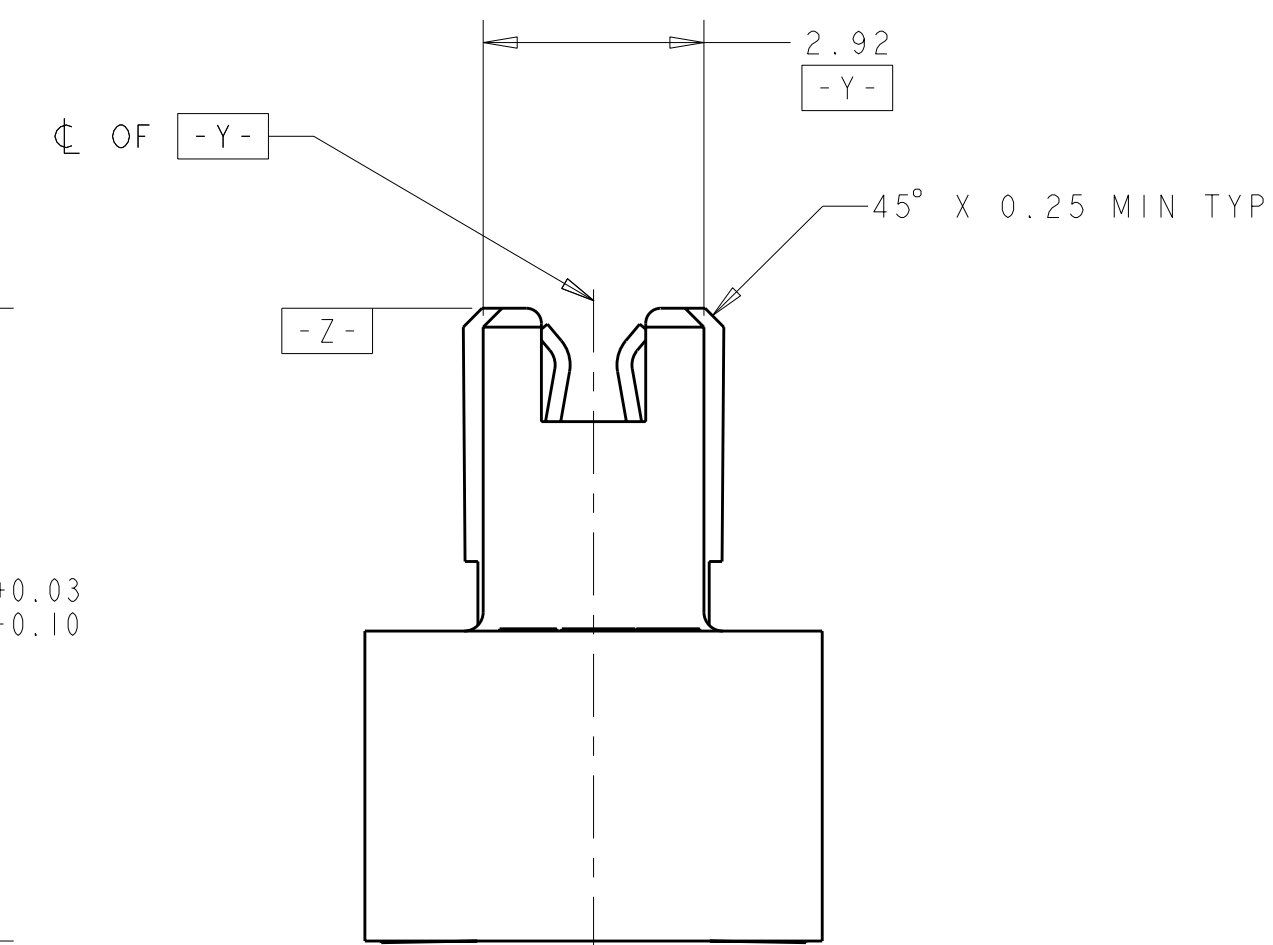
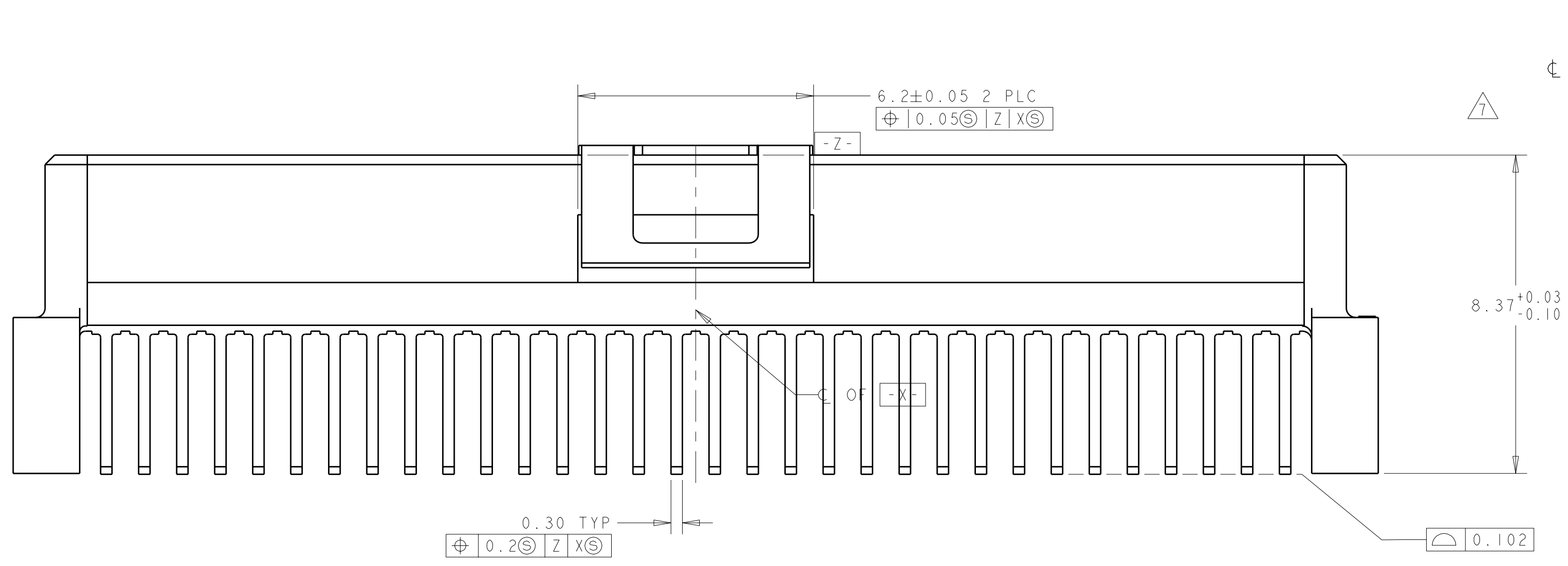
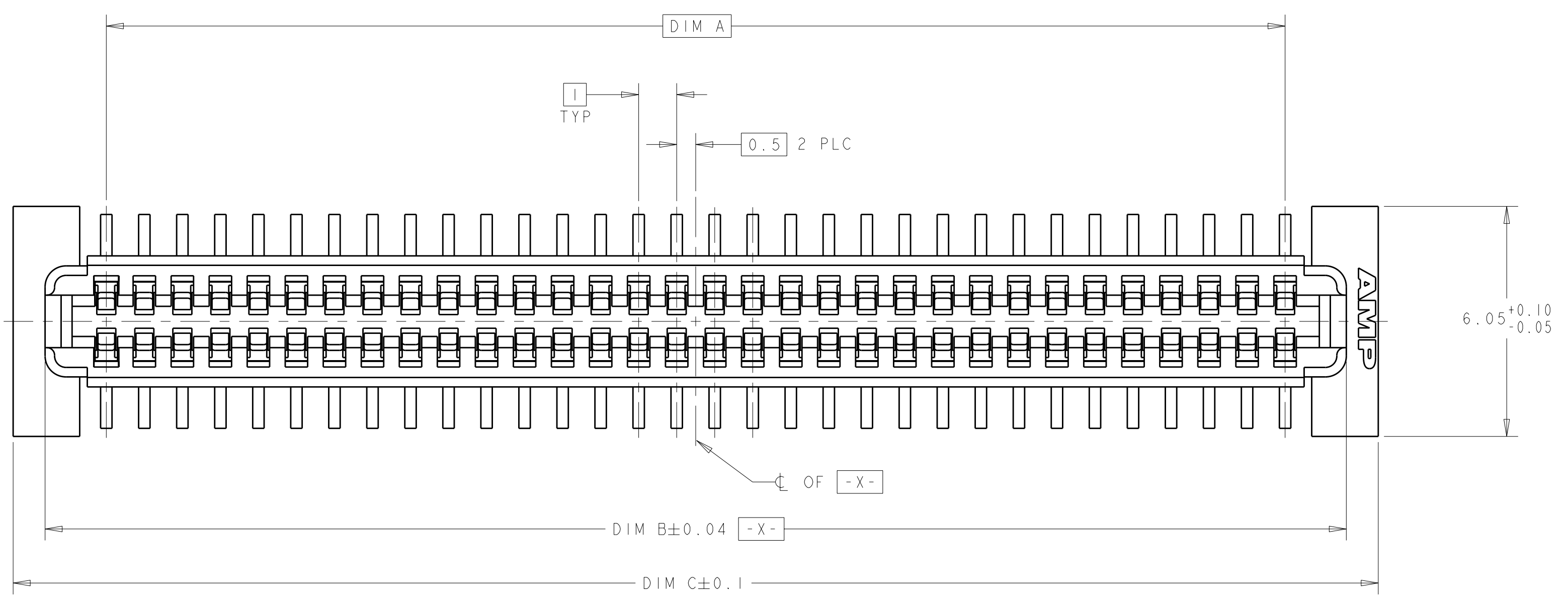
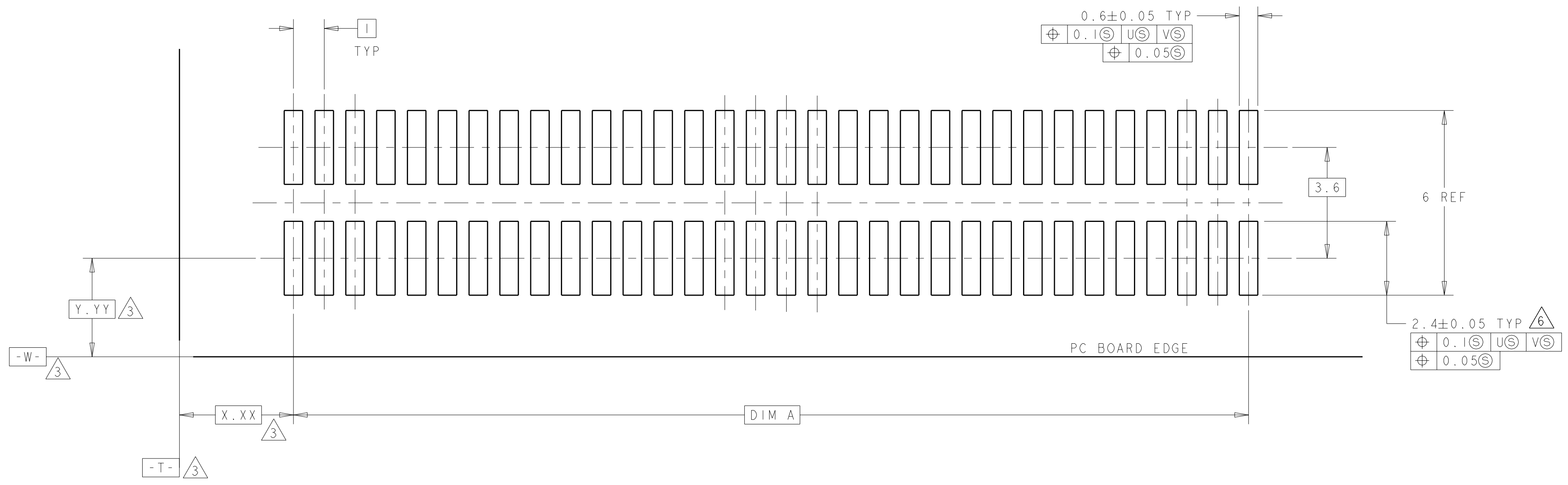


REV	DATE	DESCRIPTION	DATE	DWN	APVD
F	10FEB2004	REVISED PER EC 0512-0230-03	10FEB2004	RWS	RHW
G	12FEB2004	REVISED PER EC 0512-0072-04	12FEB2004	RWS	RHW
H	10JUL2008	REVISED PER ECO-08-008615	10JUL2008	DH	DB



VACUUM COVER

- 1. HOUSING MATERIAL: HIGH TEMPERATURE THERMOPLASTIC, COLOR: BLACK. CONTACT MATERIAL: PHOSPHOR BRONZE.
- 2. CONTACT FINISH: NICKEL UNDERPLATE ALL OVER, MATING SURFACES PLATED TO MEET PLI PERFORMANCE REQUIREMENTS OF INDUSTRY SPECIFICATION EIA-700AAAB, SOLDER TAILS PLATED TIN-LEAD.
- 3. DATUM LOCATIONS AND BASIC DIMENSIONS TO BE ESTABLISHED BY THE CUSTOMER. CONSULT AMP ENGINEERING WHEN PLACING MULTIPLE CONNECTORS ON A PC BOARD.
- 4. PACKAGED IN TAPE ON REEL PER EIA-481.
- 5. VACUUM COVER DESIGNED FOR 4mm DIA. NOZZLE. COVER TO BE REMOVED AFTER SOLDERING. VACUUM COVER OMITTED FROM SOME VIEWS FOR DIMENSIONAL CLARITY.
- 6. SHORTER SOLDER LANDS MAY BE USED PER EIA 700AAAB, HOWEVER 2.4 LENGTH ASSURES OPTIMUM SOLDER FILLET REGARDLESS OF MANUFACTURER OF CONNECTOR.
- 7. REFERRED TO AS DIM H = 8.3±0.1 IN EIA 700AAAB SPECIFICATION.
- 8. 5.5 MIN DIAMETER TARGET AREA FOR VACUUM PICK-UP.
- 9. CONTACT FINISH: 0.00381 MINIMUM MATTE TIN-LEAD (93-7) ON SOLDER AREA, 0.00127 MINIMUM GOLD ON MATING AREA, BOTH OVER 0.00127 MINIMUM NICKEL ON ENTIRE CONTACT.



RECOMMENDED PC BOARD LAYOUT

FINISH	DIM C	DIM B	DIM A	MATING CONNECTOR	STACK HGTS	POS	PART NO
9	45.9	44.22	41	120534-2	13	84	1-120530-2
9	35.9	34.22	31	120534-1	13	64	1-120530-1
2	45.9	44.22	41	120534-2	13	84	120530-2
2	35.9	34.22	31	120534-1	13	64	120530-1

DIMENSIONS: mm TOLERANCES UNLESS OTHERWISE SPECIFIED: 9 PLC ± 5 PLC ±0.03 4 PLC ±0.003 4 PLC ± ANGLES 40°-1° FINISH SEE TABLE		DWN J. REED 27/17/97 CHK L. VO 27/17/97 APVD - NAME PRODUCT SPEC 502-1079 APPLICATION SPEC 114-25045 WEIGHT CUSTOMER DRAWING		AMP Tyco Electronics Harrisburg, PA 17105-3608 RCPT ASSY, W/COVER, 1.0mmFH (IEEE1386) CONNECTOR SIZE CAGE CODE DRAWING NO. RESTRICTED TO A11 00779 C=120530 SCALE 10:1 SHEET 1 OF 1 REV H	
--	--	---	--	--	--