

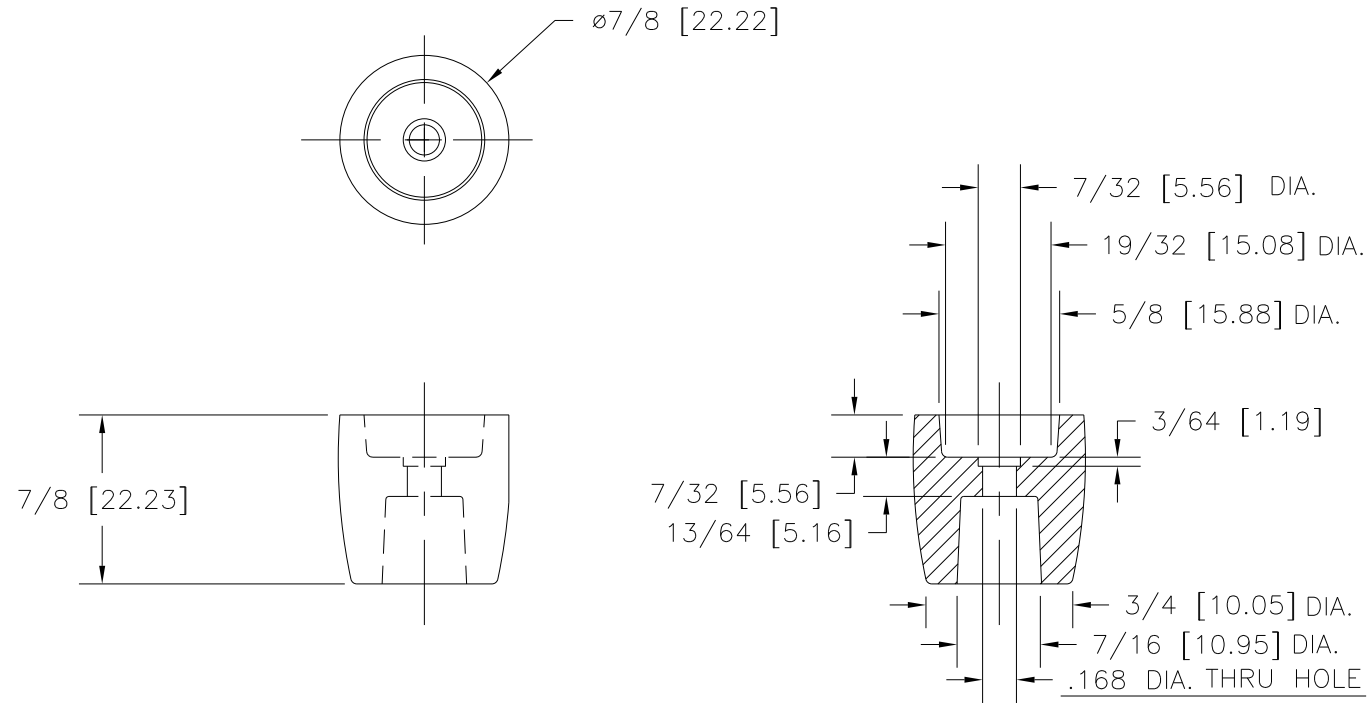
PART NAME: FOOT      SCALE: 1:1      DATE: 7/26/56      DR. BY LSP

THIS DRAWING IS THE PROPERTY OF DAVIES MOLDING COMPANY, IS SUBMITTED SOLELY AS A DESIGN OR ENGINEERING PROJECT. WE ACCEPT NO RESPONSIBILITY WHATSOEVER FOR THE PRACTICAL APPLICATION OF THE PIECES MADE TO THIS DESIGN.



|                 |               |
|-----------------|---------------|
| P/N             | 4020-A        |
| M <sup>NO</sup> | 4000          |
| CAVITY          | 4000          |
| PLUNGER         | 4020          |
| TOP PIN         | 4000-4(SHORT) |
| BOTTOM PIN      | 4000-2        |
| STOKES SET-UP   |               |
| FRAME           | 4005          |
| CAVITY          | 4020          |
| PLUNGER         | 4020          |
| PINS            | 4020+4020-2   |

CAD/REDRAWN : 11/4/94 : HD



MATERIAL: G.P. PHENOLIC (B11)  
COLOR: BLACK

|   |                                  |         |  |  |  |
|---|----------------------------------|---------|--|--|--|
| TOLERANCES:<br>UNLESS OTHERWISE SPECIFIED | DO NOT SCALE<br>DRAWING          |         |  |  |  |
| DECIMALS: X.XXX ± .005<br>X.XX ± .015     | MM: X.XX ± 0.15MM<br>X.X ± 0.4MM |         |  |  |  |
| FRACTIONS ± 1/64                          | ANG. ± 1°                        | CHANGES |  |  |  |