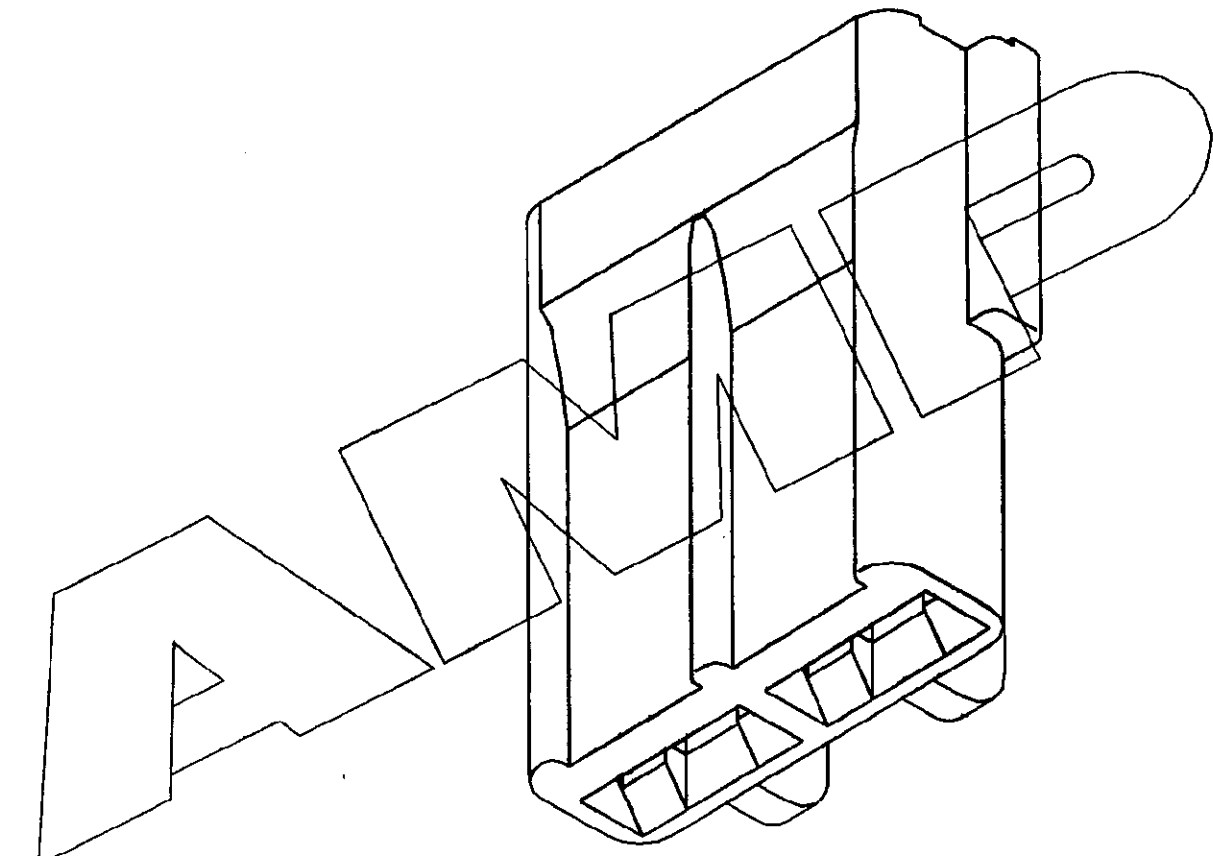
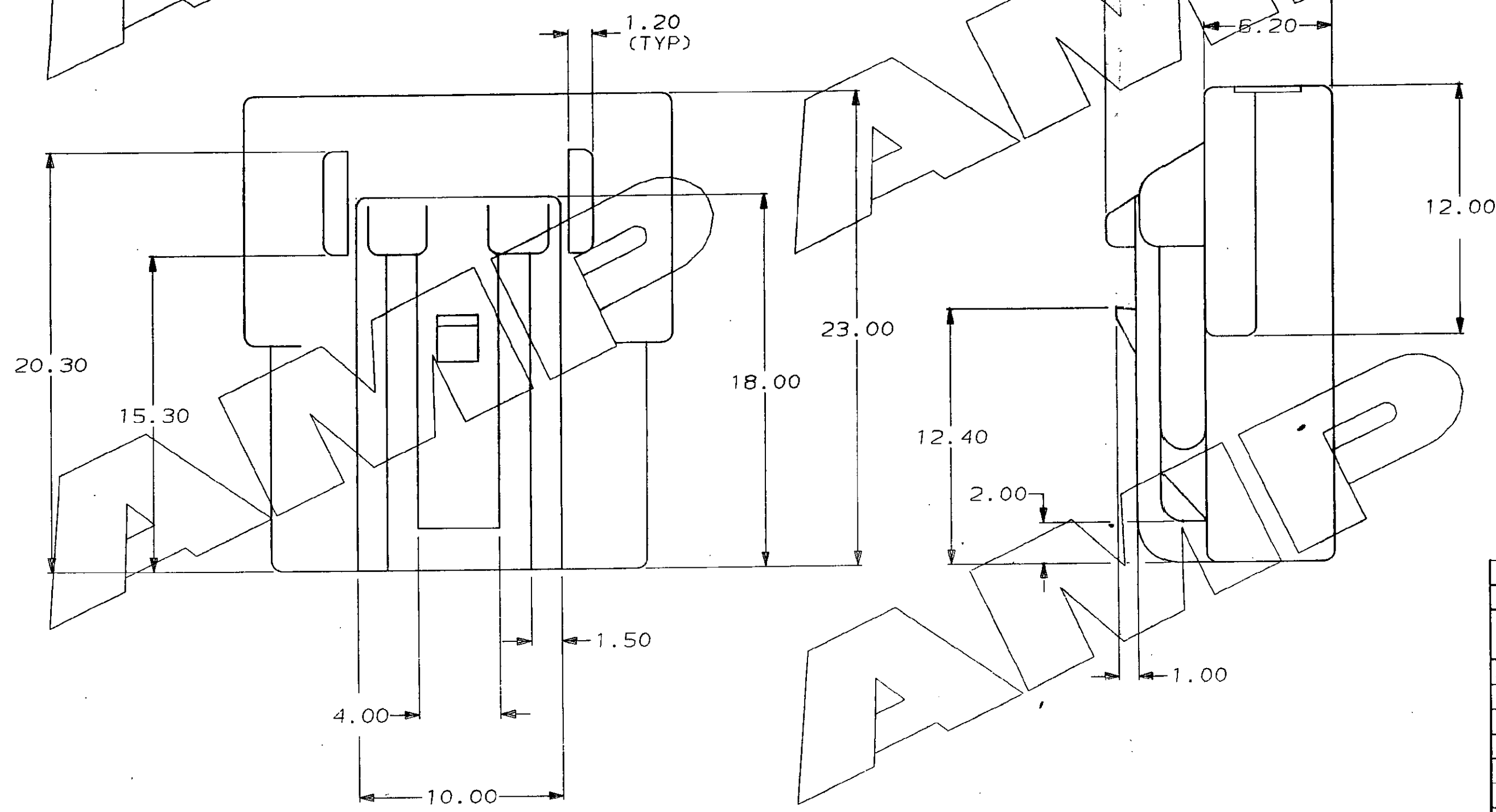
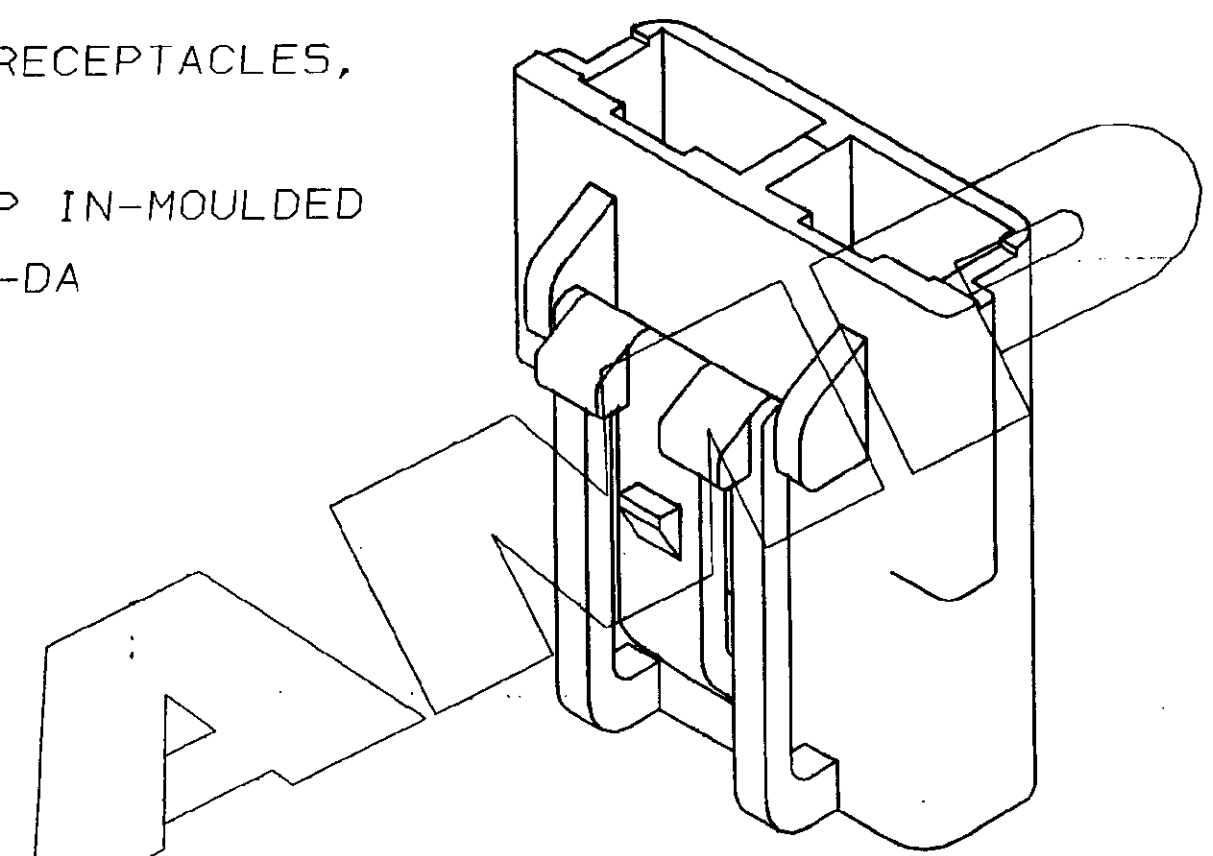
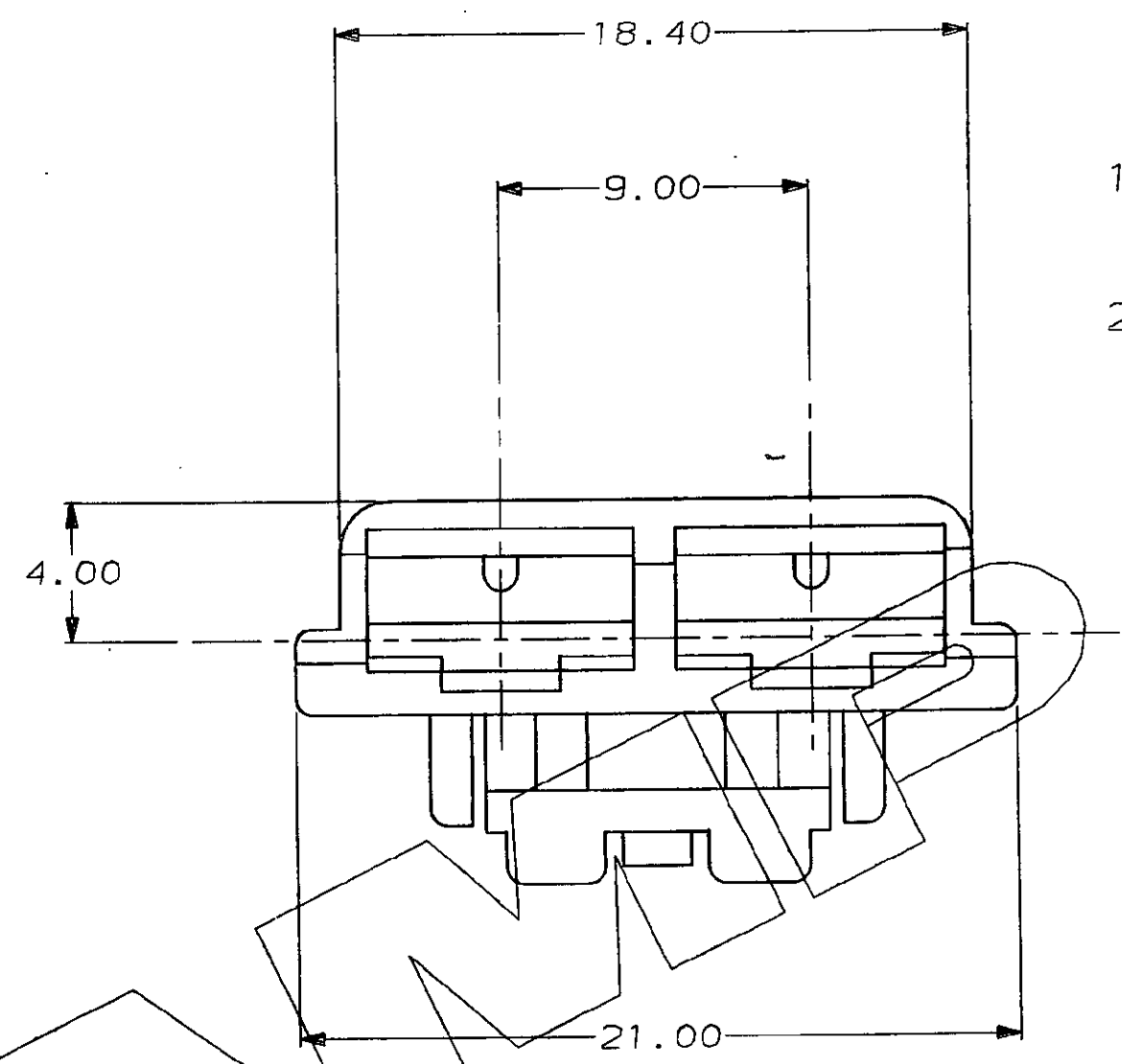


C.A.D. FILE CODE
S. C348726.A.SH1

DO NOT SCALE DIMENSIONS IN MM.

NOTES

1. THIS HOUSING ACCOMODATES TWO FASTIN-FASTON RECEPTACLES, AMP PART No. 42100, FORD PART No. 5L 100.65
2. THIS RECEPTACLE HOUSING MATES WITH FUEL PUMP IN-MOULDED TAB HEADER ASSEMBLY, FORD PART No. F3LU-9350-DA



BLACK		ACETAL		348726-1	
FINISH		MATERIAL		PART NUMBER	
CUSTOMER DWG FOR REFERENCE ONLY			FOR CONFIDENTIALITY OR COPYRIGHT NOTICE USE FUNCTION KEY F2 OR F3		
TOLERANCES UNLESS OTHERWISE STATED DEC ± 0.5 ANGLES ± 1°		DR. J. AMBROSE CH. D. HAYWOOD		03-06-94 APP. J. AMBROSE	
A J. AMBROSE EB00-0442-94 15-08-94		NAME		2 WAY RECEPTACLE HOUSING	
0 J. AMBROSE EB00-0393-94 21-07-94		SCALE		FASTIN FASTON	
1 J. AMBROSE NEW ISSUE 03-06-94		LOC		REV SHEET	
REV APPROVED CHANGE No. DATE		SIZE		DWG. No.	
		4 / 1		E A2	
				C348726	
				A 1 / 1	