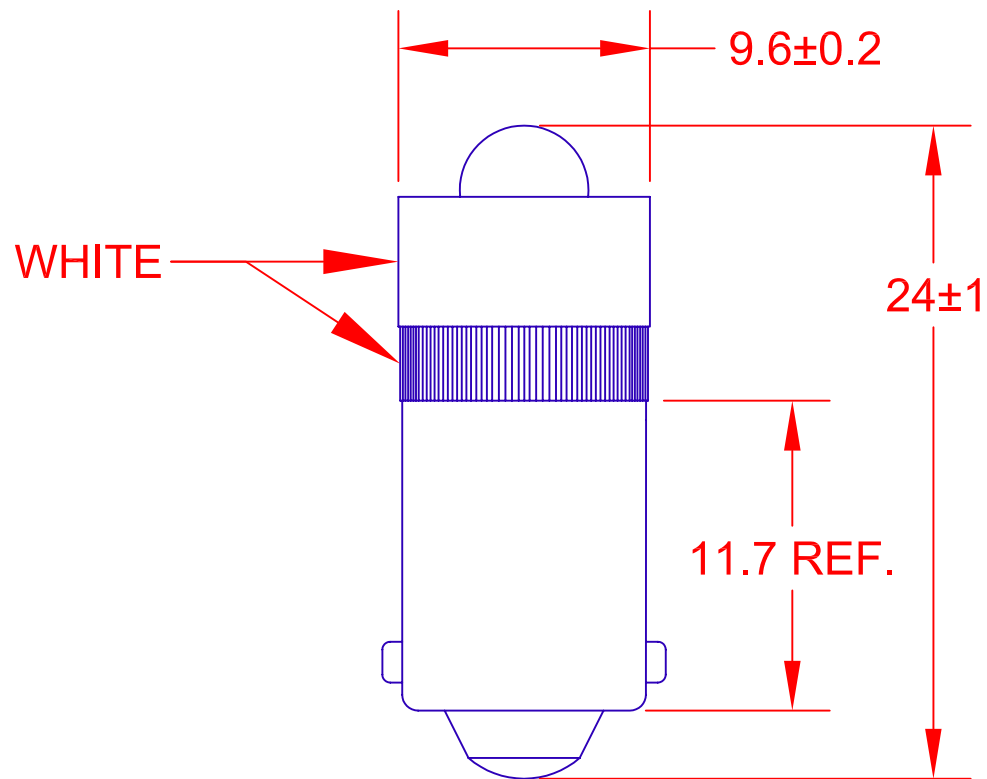


REV.	DESCRIPTION/ECO NO.	DATE
	RELEASE & CANCEL PL-0606-01	7/20/06
A	CHNG WAVELNTH TO COLOR TEMP.	1/6/10
B	ADD FEATURES, NOTE CHNG TITLE	2/10/10

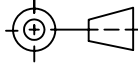


**FEATURES**

Non-Polarized  
6V AC or DC Operation

**ELECTRICAL OPTICAL CHARACTERISTICS**

JKL PART NUMBER	COLOR	AC/DC VOLTS	AMPS (mA)	LUMINOUS INTENSITY (mcd)	COLOR TEMPERATURE	50% POWER ANGLE (deg.)
LE-BA9S-6W	COOL WHITE	6	20 (MAX.)	MIN 10,000	6,000 K	30
				TYP. 13,000		

<b>METRIC</b>  THIRD ANGLE PROJECTION	DIMENSIONS ARE IN MILLIMETERS TOLERANCE UNLESS OTHERWISE SPECIFIED 1 PL +/- 0.2 2 PL +/- 0.20 ANGLE +/- 0		<b>JKL COMPONENTS CORPORATION</b>				
	DRAWN BY L. WENGSTROM		APPV'D BY DATE L.R. 2/10/10		SIZE <b>A</b>	FSCM NO. <b>55335</b>	DRAWING NO. <b>LE-BA9S-6W</b>
- CAD DRAWING - MANUAL REVISIONS NOT PERMITTED			SCALE NONE	RELEASED DATE 7/20/06	REVISION DATE 2/10/10	REV. NO. <b>B</b>	SHEET 1 OF 1
<b>TITLE</b> 6V T-3 1/4 BAYONET BASED COOL WHITE LED							