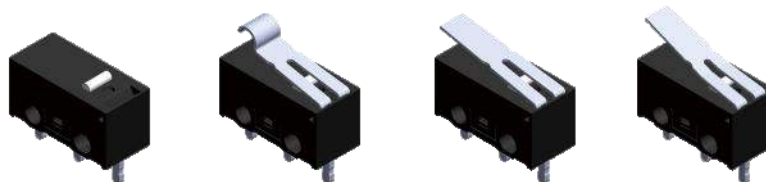


SAJ1 Series – Snap Action Switches

Applications

- Mouse, Projector
- Communication equipment
- Security
- Electronic equipment
- Household appliances
- Smart phones.
- Digital cameras.



TE Connectivity SAJ1 Series of Snap Action Switches offer flexibility through various combinations of lever styles. These switches are designed to convert a mechanical action in an electrical one. This makes them very suitable for applications such as Home Appliances, Consumer electronics, Factory Automation as well as other domestic and industrial uses.

Features

- Miniature microswitch conforming to UL.
- PCB terminal models are resistant to flux.
- Highly reliable with long operating life.

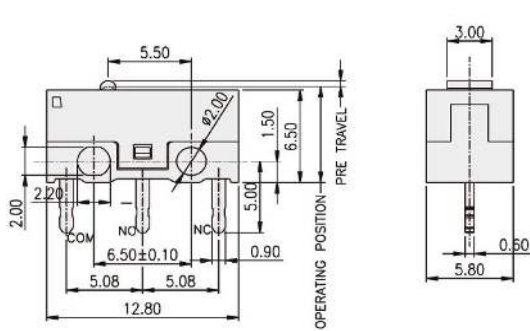
TE's Snap Action switches are dimensionally identical with other popular brands, making them extremely suitable for use in existing designs. They are available with various contact styles and materials to aid flexibility.

Characteristics – Electrical

		Switch Type
Contact Rating	0.1A at 30VDC	SAJ101X
	3A at 125VAC/1.5A at 250VAC	SAJ13XX
Mechanical Durability	1,000,000 cycles min.	SAJ101X
	500,000 cycles min.	SAJ13XX
Electrical Durability	30,000 cycles min.	SAJ101X
	6,000 cycles min.	SAJ13XX
Contact Resistance	100mΩ MAX.	SAJ101X SAJ13XX
Insulation Resistance	100M Ω MIN.	
Dielectric Strength	Between terminals of same polarity AC 600V 1 minute	
	Between current-carrying metal parts and ground AC 1500 V 1 minute	
	Between each terminal and non-current-carrying metal part - AC 1500V 1 minute	
Operating Temp.	-25°C - +75°C	

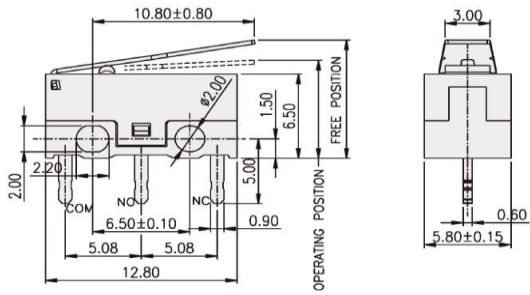
Mechanical Measurements

TE Smart Part Number: SAJ25YXPP0147SDTSEQ



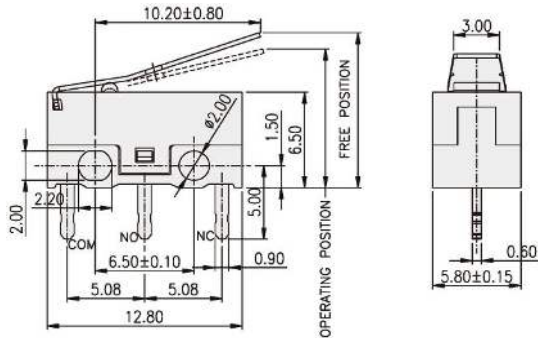
Operation Characteristics		
Operating Force (OF)	SAJ101X	76gf (0.75N) MAX.
	SAJ13XX	90gf (0.88N) MAX.
Release Force (RF)	SAJ101X	2gf (0.02N) MIN.
	SAJ13XX	5gf (0.05N) MIN.
Pretravel (PT)	0.50mm MAX.	
Overtravel (OT)	0.20mm MIN.	
Movement Differential (MD)	0.20mm MAX.	
Operating Position (OP)	6.9± 0.3 mm	

TE Smart Part Number: SAJ13XXHL0N88SNOPTQ



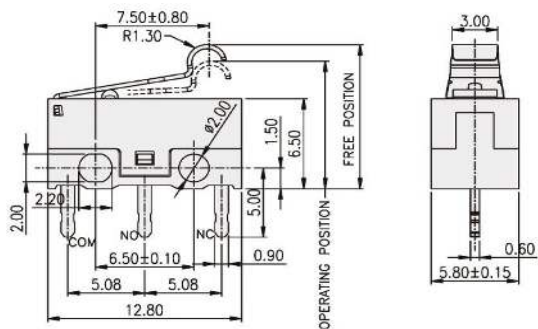
Operation Characteristics		
Operating Force (OF)	SAJ101X	26gf (0.25) MAX.
	SAJ13XX	40gf (0.39N) MAX.
Release Force (RF)	2gf (0.02N) MIN.	
Overtravel (OT)	0.55mm MIN.	
Movement Differential (MD)	0.50mm MAX.	
Operating Position (OP)	8.5 ± 1.5 mm	
Free Position (FP)	11.5mm MAX.	

TE Smart Part Number: SAJ13XXBL0N88SNCPTQ



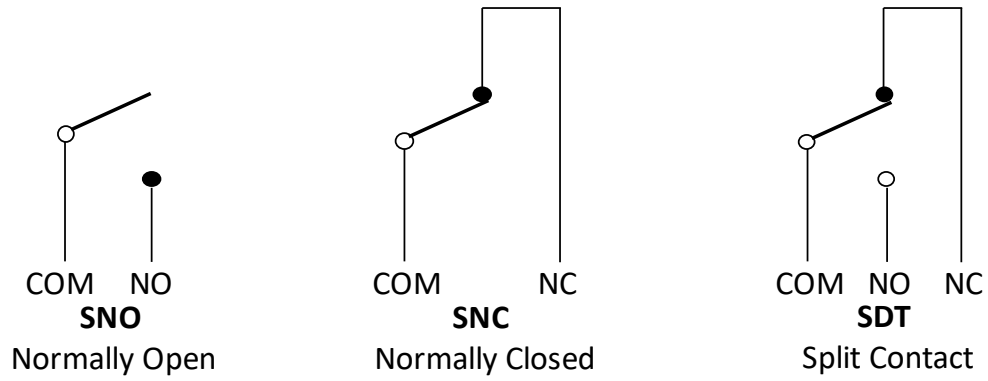
Operation Characteristics	
Operating Force (OF)	26gf (0.25N) MAX.
Release Force (RF)	2gf (0.02N) MIN.
Overtravel (OT)	0.55mm MIN.
Movement Differential (MD)	0.50mm MAX.
Operating Position (OP)	9.6 ± 0.8 mm
Free Position (FP)	11.8mm MAX.

TE Smart Part Number: SAJ13XXRHLN88SNOPTQ



Operation Characteristics	
Operating Force (OF)	40gf (0.39N) MAX.
Release Force (RF)	2gf (0.02N) MIN.
Overtravel (OT)	0.50mm MIN.
Movement Differential (MD)	0.45mm MAX.
Operating Position (OP)	10.2 ± 1.2 mm
Free Position (FP)	14.0mm MAX.

Circuit



How to Order

